



SPARE PARTS CATALOGUE



Vespa GTS 300 - E3 - E4 - 75° Anniversario 2021 (APAC)

Chassis prefix: RP8M45717, RP8M45849,
RP8M45716, RP8M45715, RP8M45716, RP8M45717,

Vespa GTS 300

EVGS000EXE



Engine prefix: M45TM, M45RM, M45MM, M45RM, M45TM



Index

Finished products.....	5
Alphanumeric index.....	6
Engine.....	11
Table 01.02 - Engine, assembly.....	11
Table 01.05 - Crankcase.....	12
Table 01.06 - Crankshaft.....	14
Table 01.07 - Cylinder-piston-wrist pin unit.....	15
Table 01.10 - Cylinder head unit - Valve.....	16
Table 01.11 - Rocking levers support unit.....	17
Table 01.12 - Cylinder head cover.....	18
Table 01.13 - Driving pulley.....	19
Table 01.14 - Driven pulley.....	21
Table 01.15 - Crankcase cover - Crankcase cooling.....	22
Table 01.18 - Oil pump.....	23
Table 01.19 - Cooler pump.....	25
Table 01.20 - Stater - Electric starter.....	26
Table 01.21 - Flywheel magneto.....	27
Table 01.23 - Flywheel magneto cover - Oil filter.....	28
Table 01.25 - Reduction unit.....	29
Table 01.36 - Throttle body - Injector - Induction joint.....	30
Table 01.42 - Silencer.....	32
Table 01.45 - Air filter.....	34
Frame - Plastic parts - Coachwork.....	45
Table 02.01 - Frame/bodywork.....	45
Table 02.25 - Stand/s.....	46
Table 02.26 - Front shield.....	47
Table 02.30 - Front glove-box - Knee-guard panel.....	49
Table 02.31 - Central cover - Footrests.....	51
Table 02.32 - Side cover - Spoiler.....	52
Table 02.33 - Wheel housing - Mudguard.....	53
Table 02.34 - Helmet housing - Undersaddle.....	54
Table 02.37 - Rear cover - Splash guard.....	55
Table 02.38 - Plates - Emblems.....	58
Table 02.39 - Saddle/seats.....	59
Table 02.44 - Rear luggage rack.....	60
Table 02.45 - Driving mirror/s.....	61
Table 02.46 - Locks.....	62
Table 02.47 - Fuel tank.....	64
Table 02.55 - Cooling system.....	66
Table 02.61 - Anti-percolation system.....	68
Handlebars/Steering.....	69
Table 03.01 - Handlebars coverages.....	69
Table 03.02 - Meter combination - Cruscotto.....	70



Table 03.06 - Handlebars - Master cil.....	71
Suspensions - Wheels.....	72
Table 04.01 - Swinging arm.....	72
Table 04.02 - Fork/steering tube - Steering bearing unit.....	73
Table 04.10 - Rear suspension - Shock absorber/s.....	76
Table 04.11 - Front wheel.....	77
Table 04.12 - Rear wheel.....	78
Braking system - Transmissions.....	79
Table 05.02 - Brakes pipes - Calipers (ABS).....	79
Electrical system.....	81
Table 06.01 - Selectors - Switches - Buttons.....	81
Table 06.03 - Front headlamps - Turn signal lamps.....	82
Table 06.04 - Rear headlamps - Turn signal lamps.....	83
Table 06.05 - Remote control switches - Battery - Horn.....	84
Table 06.06 - Voltage Regulators - Electronic Control Units (ecu) - H.T. Coil.....	85
Table 06.08 - Main cable harness.....	87



Vespa GTS 300
EVGS000EXE Vespa GTS 300 - E3 - E4 - 75° Anniversario
2021 (APAC)

Chassis prefix: RP8M45717, RP8M45849,
RP8M45716, RP8M45715, RP8M45716,
RP8M45717,
Engine prefix: M45TM, M45RM,
M45MM, M45RM, M45TM

Finished products

Code	Validity
EVGSY03AU9	Colour: Y03 - GIALLO LUCIDO ZOLFO VESPA 75th MIV[Y03] Country: Vietnam version[VT]
EVGSY03CNE	Colour: Y03 - GIALLO LUCIDO ZOLFO VESPA 75th MIV[Y03] Country: Cina Version[CN]
EVGSY03EXE	Colour: Y03 - GIALLO LUCIDO ZOLFO VESPA 75th MIV[Y03] Country: Export Version[EXE]
EVGSY03EXF	Colour: Y03 - GIALLO LUCIDO ZOLFO VESPA 75th MIV[Y03] Country: Export Version[EXE]
EVGSY03HK6	Colour: Y03 - GIALLO LUCIDO ZOLFO VESPA 75th MIV[Y03] Country: Hong Kong-Singapore [HK-S]
EVGSY03JOA	Colour: Y03 - GIALLO LUCIDO ZOLFO VESPA 75th MIV[Y03] Country: Japan version[JP]
EVGSY03TN5	Colour: Y03 - GIALLO LUCIDO ZOLFO VESPA 75th MIV[Y03] Country: Taiwan version[TN]
EVGSY03VT9	Colour: Y03 - GIALLO LUCIDO ZOLFO VESPA 75th MIV[Y03] Country: Vietnam version[VT]



Code	No. table	Pos.	Code	No. table	Pos.	Code	No. table	Pos.
000097	01.21	8	018639	05.02	4	1A009598	01.13	6
002440	02.25	3	020008	04.10	11	1A009684	01.11	1
002440	04.01	16	020105	02.37	9	1A009686	01.11	4
002440	04.10	15	021108	04.10	5	1A009718	01.10	8
002440	04.10	9	021114	04.02	47	1A009730	01.10	5
003053	03.01	6	021210	04.02	26	1A009942	01.36	8
003054	06.03	12	031057	02.37	6	1A010205	01.20	8
003055	02.37	8	031153	04.01	23	1A010537	01.10	12
003056	01.45	17	097733	06.06	22	1A010691R	01.12	5
003056	01.45	34	119219	04.02	4	1A011176	01.10	15
003056	01.45	9	122637	01.21	2	1A011207	01.18	19
003056	02.33	11	127927	05.02	15	1A011220	01.10	14
003056	06.08	16	145298	01.19	10	1A011379	01.07	3
003058	04.10	18	145298	01.42	14	1A011611R	01.20	1
003058	05.02	21	145298	02.55	39	1A011902	01.45	3
0037514	04.02	7	145298	02.61	8	1A011905	01.45	1
006416	04.01	21	145298	04.10	22	1A011977	01.15	15
006422	04.02	38	145298	05.02	9	1A011990	01.42	2
006635	01.15	2	145298	06.08	26	1A01206301	01.05	1
006635	04.02	46	145298	06.08	9	1A01206302	01.05	1
006731	03.06	17	149104	04.02	35	1A012076	01.13	12
006731	04.02	5	149104	04.10	16	1A012079	01.13	2
006975	04.02	54	149104	04.11	4	1A012092	01.13	3
006975	04.10	24	149104	04.12	8	1A012834	01.18	7
006976	02.25	20	149104	05.02	13	1A012853	01.21	4
006976	06.04	3	157716	02.31	4	1A0128565	01.23	1
008108	03.01	9	174085	04.02	23	1A012937	01.13	7
008372	06.03	10	174088	04.02	24	1A013022	01.11	7
008375	01.20	6	174874	04.02	20	1A013202	01.14	2
008457	06.04	11	177408	04.02	29	1A013204	01.14	9
0111094	04.02	8	177414	04.02	37	1A013269	01.14	6
012138	02.47	18	177436	04.02	33	1A013271	01.14	7
012528	04.02	17	177442	04.02	40	1A013363	01.07	1
012533	01.45	16	177443	04.02	39	1A0133640M	01.07	2
012533	01.45	33	177445	04.02	30	1A0133640N	01.07	2
012533	01.45	8	177451	04.02	6	1A0133640O	01.07	2
012533	02.33	10	177494	04.02	34	1A0133640P	01.07	2
012533	02.34	4	177609	04.02	48	1A0134325	01.10	1
012533	02.44	3	177610	04.02	45	1A0134745	01.42	1
012533	02.44	6	178150	04.10	2	1A013591R01	01.06	1
012535	04.01	22	191117	02.46	28	1A013591R02	01.06	1
012535	04.02	25	191189	02.25	12	1A013640	01.36	5
012543	03.06	3	192598	02.33	6	1A013666	01.07	4
012789	04.02	49	195482	06.06	7	1A013667	01.07	5
013777	02.34	5	198513	04.02	3	1A013926	01.12	8
013777	02.44	4	199190	02.26	3	1A0139645	01.42	1
013777	02.44	7	199190	02.30	5	1A013976	01.45	20
013782	06.06	34	199190	02.32	11	1A013977	01.45	27
013880	02.47	5	199190	06.05	10	1A014002	01.10	18
013962	04.10	14	1A000235	01.20	5	1A014318	06.06	11
015330	03.06	5	1A001106	01.45	23	1A0143690A	01.11	8
015585	01.21	3	1A001903	04.10	12	1A0143690B	01.11	8
015727	02.33	7	1A003053	01.11	18	1A0143690C	01.11	8
015728	06.03	10	1A003628R	01.05	2	1A014447	01.10	4
015856	06.06	21	1A003985	01.12	7	1A014720	01.15	5
016343	02.25	18	1A003991	01.14	17	1A014961	01.15	8
016405	02.37	7	1A005376R	01.25	3	1A0149935	01.42	1
016406	02.47	4	1A005376R	01.25	3	1A0149945	01.42	2
016406	06.06	25	1A006247	01.45	29	1A015944	01.36	9
016406	06.06	5	1A006644	01.45	22	1A018241	01.36	2
016406	06.08	15	1A006715	01.45	24	1A018242	01.36	2
016408	04.02	28	1A007327	01.45	21	1A018283	01.36	9
016408	04.10	4	1A0078285	01.23	11	1A018760	01.42	7
018536	06.03	4	1A008144	01.13	5	1B000533	02.47	1
018575	01.05	14	1A0093875	01.21	5	1B000678	01.45	15
018639	01.36	7	1A009397	01.23	8	1B000678	01.45	32
018639	02.47	2	1A009412	01.25	10	1B000678	01.45	7



Code	No. table	Pos.	Code	No. table	Pos.	Code	No. table	Pos.
1B000888	02.32	3	1B006623	06.03	12	1D001598	03.02	1
1B000888	02.32	4	1B006632	02.34	2	1D001636	06.05	7
1B001014	02.31	7	1B006684000Y04	02.26	1	1D001657	02.47	13
1B001078	02.38	6	1B0066844	02.26	1	1D001698	06.01	10
1B001417	02.38	7	1B006700	06.01	12	1D001824	06.01	5
1B001591	06.06	19	1B006789	06.06	32	1D0019355	02.25	16
1B001615	02.47	17	1B006821	02.37	58	1D001983	01.20	7
1B001752	02.30	38	1B006947000Y03	02.01	1	1D002038	02.46	29
1B001876	02.46	5	1B008206	04.02	51	1D002276R	02.46	24
1B002106	02.44	1	1B008502	03.06	1	1D002391	06.04	9
1B0033315	02.01	2	1B009079	02.39	1	1D002392	06.04	7
1B003379	02.26	9	1B009137	02.44	8	1D002526	06.01	11
1B003380	02.26	8	1B009777	02.44	9	1D002560	06.04	1
1B0034460000C	02.30	8	1B009778	02.44	10	1D003004	06.03	1
1B0034470000C	02.30	9	1B009779	02.44	11	1D003018	06.08	1
1B003454	02.55	18	1C000368	02.25	15	1D003033	03.02	1
1B003455	02.55	21	1C000391	04.11	2	1D003323	06.06	18
1B003456	02.55	19	1C000392	04.12	3	1D003554R	02.47	12
1B003727	02.55	13	1C000439	04.01	5	1D003578	06.08	30
1B003878	06.06	2	1C000518	02.25	17	1D003607	06.03	6
1B003939	06.06	30	1C000523	04.02	50	1D003608	06.03	8
1B003942	06.05	4	1C000870	05.02	5	1R000318	06.05	1
1B003943	06.06	23	1C001044	04.12	18	1R000467	03.06	16
1B003953	06.08	12	1C001153	04.02	13	1U000391	01.02	1
1B003958	06.06	29	1C001341	04.01	11	1U000417	01.02	1
1B004020	02.46	2	1C0016085	04.02	10	1U000419	01.02	1
1B004022	02.46	1	1C001628	04.02	57	217280	02.46	27
1B004039R	02.47	16	1C001867	02.25	4	231590	04.02	22
1B004354	02.47	19	1C001969	04.02	32	241936	02.46	15
1B0045715	02.61	1	1C002059R	05.02	16	241936	06.05	6
1B004609	01.45	41	1C002175	04.12	12	252420	02.30	19
1B004610	01.45	37	1C002344	04.12	11	252945	06.08	3
1B004623	02.34	1	1C0025285	04.02	1	253937	02.46	9
1B004779	04.02	12	1C0025295	04.02	31	254485	01.45	11
1B004794	02.34	6	1C0025559	04.01	9	254485	01.45	35
1B004806	02.47	8	1C002563	04.02	43	254485	01.45	39
1B005386	06.08	31	1C002642	01.18	10	254485	01.45	44
1B005489	02.33	8	1C002702	02.25	8	254485	02.31	6
1B005642	03.02	2	1C002710	05.02	2	254485	02.33	12
1B005761	03.01	1	1C002747	05.02	1	254485	02.37	4
1B005761000Y03	03.01	1	1C002894	04.01	17	254485	02.47	7
1B005762	03.01	2	1C0032295	02.39	5	254485	02.55	27
1B005762000Y03	03.01	2	1C003398	02.25	9	254485	02.55	4
1B005763	06.03	3	1C003698R	04.12	16	254485	02.55	8
1B005764	03.01	8	1C003699	05.02	24	257134	01.45	45
1B005767	02.30	1	1C003706	02.25	10	257134	06.08	27
1B005767000Y03	02.30	1	1C003707	02.25	21	257614	02.30	23
1B005775000K1	02.26	5	1C003737	05.02	26	258146	01.45	6
1B005776000K1	02.26	6	1C003738	05.02	25	259349	02.30	15
1B005777000K1	02.26	7	1C003739	05.02	23	259349	04.02	16
1B005785	02.33	5	1C003741	05.02	22	259349	06.05	9
1B005786	02.32	2	1C003936	02.25	1	260918	01.45	2
1B005786000Y03	02.32	2	1C004614000HW	04.11	1	266845	04.01	7
1B005787	02.32	1	1C004615000HW	04.12	1	267038	04.10	3
1B005787000Y03	02.32	1	1C004746	04.12	14	267917	03.06	4
1B0057880000C	02.37	1	1D0001275	04.02	52	268158	04.10	8
1B005803	02.32	6	1D000261	06.03	7	268596	02.30	10
1B005803000Y03	02.32	6	1D000261	06.03	9	268596	02.30	20
1B005804	02.32	5	1D000261	06.04	10	269755	01.25	13
1B005804000Y03	02.32	5	1D000261	06.04	8	270991	04.11	3
1B005869	02.30	39	1D000504	06.06	6	270991	04.12	2
1B006213	02.47	27	1D001138	01.23	14	271434	03.06	10
1B006214	02.47	23	1D001143	06.06	17	271740	04.01	8
1B006291	02.46	6	1D001143	06.06	26	271779	04.01	15
1B006418	06.04	4	1D001143	06.08	10	272750	04.01	19
1B006497	02.37	5A	1D001338	02.46	10	272836	05.02	8
1B006548	02.37	15	1D001532	02.37	10	273460	04.01	18



Code	No. table	Pos.	Code	No. table	Pos.	Code	No. table	Pos.
273754	02.25	5	479882	02.37	11	577620	02.30	35
274246	01.14	18	479986	01.18	12	577620	02.46	19
277916	01.05	19	480853	01.10	3	577620	02.46	23
277916	01.07	9	483226	01.14	3	577861	02.30	26
277916	01.18	9	483711	01.10	6	58115R	06.05	8
285536	01.23	19	483767	01.05	17	58233R5	02.37	16
285846	01.10	10	483914	01.10	9	582787	04.02	7
287913	01.18	4	483918	01.18	18	582828	04.02	11
288245	01.45	19	484034	01.05	10	582850	02.25	6
288245	02.32	13	484123	01.11	10	582851	02.25	7
288245	02.33	4	485047	01.05	22	582988	06.01	7
288245	02.37	12	485080	01.19	3	583158	06.05	1
288245	02.37	14	485655	01.05	16	583921	02.61	4
288245	02.46	15	485703	01.25	14	584121	02.46	22
288245	02.55	11	485868	01.18	21	584344	01.42	13
288245	02.61	3	486081	01.05	12	584599	06.01	1
288245	04.02	15	486324	01.13	11	584669	02.55	25
288474	01.23	17	486324	01.14	19	584843	06.08	13
289919	01.18	25	487833	01.11	14	58503R	04.10	1
290860	06.08	5	487936	01.14	14	597149	04.10	7
291570	06.08	4	497042	03.06	13	597150	04.02	27
292507	06.08	6	497042	03.06	15	597317	04.01	10
293256	06.08	2	497545	01.02	2	597564	04.12	6
294678	03.01	5	497592	01.02	3	597565	04.12	7
294877	06.01	3	56127R	04.01	12	597857	04.01	5
295789	02.25	14	563728	04.12	13	597914	04.01	6
296456	02.39	3	56452R	04.02	19	598143	04.10	6
296458	06.03	2	56484R	04.02	41	598237	04.01	25
297498	02.30	25	57313R	02.55	16	598715	04.12	4
297498	06.01	13	57314R	02.55	20	598917	04.01	2
297498	06.01	6	57326R	02.01	6	599059	04.01	26
298594	02.46	7	57327R	02.01	8	599077	04.01	24
298729	05.02	28	57333R	02.55	13	599208	01.42	9
298731	02.46	3	575249	02.30	16	599250	04.01	20
298838	02.46	8	575607	02.30	21	599561	02.25	13
299071	02.37	17	575819	02.30	14	5A000046	04.12	15
299557	02.01	13	576454	02.61	15	5A000421R	04.02	41
299972	02.30	34	576464	02.38	2	5A000421R	04.12	5
299972	02.46	18	576546	02.47	15	5A000437	02.37	13
2D000473	06.06	20	577005	02.30	22	5A000478	04.01	3
2D0005355	06.06	31	577128	02.46	20	5A000479	04.01	1
2H002046	02.38	8	577129	02.46	17	5A000763	04.02	56
2H003198	02.38	4	577131	02.46	16	5A001008	04.02	19
2H003939	02.38	9	577175	02.30	18	5A001056	02.37	15
2H004257	02.38	1	57717500Y03	02.30	18	5A001115	06.06	9
2H004370	02.38	3	577183	02.55	9	5A001120	04.02	13
2H004412	02.38	10	577187	02.55	28	5A001120	04.02	13
319532	05.02	19	577195	02.55	5	600161	04.01	4
414838	01.11	19	577201	02.55	12	601026	04.02	56
414838	01.15	7	577384	02.55	18	601556	04.02	21
414838	01.15	9	577395000C	02.30	12	601815	04.01	17
414838	01.23	12	577396000C	02.30	11	614188	01.36	10
414838	02.33	9	577397	02.01	4	614188	01.45	26
414838	02.47	3	577398	02.01	3	615795	06.06	33
431065	01.05	24	577399	02.30	27	620395	02.01	7
431089	01.14	10	577400	02.30	28	620395	02.01	9
433232	01.14	16	577405000C	02.01	5	620415	02.46	21
434885	01.13	8	577405000C	02.01	5	620452	02.30	41
434947	02.25	11	577433	02.55	19	620693	02.30	37
435629	01.10	2	577447	02.30	29	620966	02.61	2
436438	01.10	7	577453	02.30	33	6218305	06.05	2
436695	01.18	6	577456	02.46	11	622839	02.55	29
436788	06.06	24	577468	02.30	24	623013	02.55	21
436947	01.42	12	577471	02.46	14	623162	02.47	6
4789853	01.15	3	577492	02.39	2	623575	02.32	12
479132	01.45	12	577594	02.30	31	623673	02.55	2
479515	01.21	7	577594	06.08	29	623776	02.30	42



Code	No. table	Pos.	Code	No. table	Pos.	Code	No. table	Pos.
623920	02.44	2	709047	04.02	36	842385	01.21	9
623920	02.44	5	709047	04.10	17	842389	01.23	5
638534	02.46	4	709047	04.11	5	842390	01.19	9
639560	06.06	27	709047	04.12	9	842908	01.42	3
640485	01.10	13	709047	05.02	14	843568	01.23	16
640879	01.21	11	709047	05.02	20	844094	01.12	9
640879	06.08	8	810511	01.12	14	844483	04.10	10
641204	06.08	14	825079	03.02	3	844582	01.05	11
641521	01.12	13	82518R	01.14	4	844730	01.23	9
641532	06.08	11	82545R	04.10	13	8447595	01.23	2
641548	02.30	17	825952	01.18	17	844927	01.42	4
641599	06.06	28	826165	01.23	18	8449404	01.42	8
641599	06.08	25	82635R	01.23	20	844964	01.15	12
641609	06.01	2	8263885	01.42	6	845861	01.05	23
641643	06.06	16	82649R	01.18	15	846098	01.18	13
641709	06.06	1	827085	01.05	21	847116	01.18	14
641743	06.01	4	82723R	01.18	22	847277	01.18	25
641859	06.01	9	82737R	01.20	4	847516	01.18	24
641901	06.06	10	827526	01.42	4	847928	01.18	27
642032	06.01	8	82753R	01.14	5	847929	01.18	3
642054	01.21	1	82755R	01.23	3	847931	01.25	9
643413	04.10	23	82782R	01.18	23	847974	01.42	15
647161	05.02	18	827831	01.45	13	8481875	01.25	1
648294	02.33	2	827831	01.45	25	848452	01.42	11
649113	04.02	51	82783R	01.18	16	849898	01.36	4
649113	04.02	51	828217	01.13	13	855636	01.14	11
649635	05.02	7	82831R5	01.10	16	872635	01.12	2
649910	04.02	45	828662	01.19	2	8738755	01.25	7
650075	04.02	10	82878R	01.05	8	874549	01.15	10
650693	04.02	9	828961	02.01	12	874549	01.15	6
650755	04.01	13	828961	04.11	6	874803	01.20	3
650907	04.02	44	828961	04.12	10	875005	01.07	7
651014	01.42	3	828961	05.02	29	875096	01.07	6
65102900Y03	02.33	1	82897R	01.23	6	875111	01.05	13
6514825	04.02	2	8290405	01.23	7	875113	01.07	8
653501	02.55	15	8291395	01.11	13	8768835	01.15	1
655554	03.06	2	829206	01.25	4	877136	01.12	6
656003	02.47	14	82952R	01.21	10	877289	01.21	6
656021	02.47	10	829534	01.12	1	877309	01.11	9
656022	02.47	9	829536	01.12	4	877310	01.11	11
656220	02.38	5	829593	01.18	2	877528	01.19	1
656437	02.55	17	829661	01.05	15	877790	01.15	13
656449	02.55	22	82991R	01.23	4	878626	01.19	4
65663700Y03	02.31	1	830056	01.45	10	878872	06.06	12
656648	02.31	10	830057	01.45	18	878940	01.19	5
657046	03.06	11	830061	01.05	18	879081	01.18	11
657111	02.55	1	830061	01.36	6	8798315	01.23	1
657446	02.61	5	830061	04.10	21	879916	01.11	2
665735	04.02	12	83018R	01.05	4	879916	01.11	5
666139	05.02	12	83018R	01.25	5	880285	04.02	53
667152	04.12	17	830249	01.12	3	880893	01.11	16
668021	05.02	11	830585	01.14	8	880950	01.13	10
668187	02.25	2	83082R	01.25	2	9004461229000	04.10	25
668762	06.08	21	831995	01.45	5	939278	05.02	6
669115	04.02	42	8319970P	01.45	4	951685	02.34	3
669115U4	04.02	42	832130	01.05	20	967351	02.25	22
669282	04.02	55	833658	02.47	24	969224	05.02	3
669282	04.10	20	833673	01.14	13	969224	06.06	7
672660	01.45	36	833674	01.14	12	969348	06.06	15
673243	03.06	9	833701	01.05	7	975855	02.01	10
675421	01.45	42	834187	01.42	10	AP8113004	03.06	18
675510	02.47	20	840344	01.18	19	AP8133945	03.06	19
675874	02.55	38	840504	01.23	10	AP9150472	01.23	15
680228	06.06	8	840507	01.23	21	B000526	04.10	19
709047	02.01	11	840533	01.13	9	B005195	06.06	35
709047	02.33	3	8410015	01.25	6	B005629	06.08	28
709047	02.55	7	841782	01.42	5	B013841	01.11	17

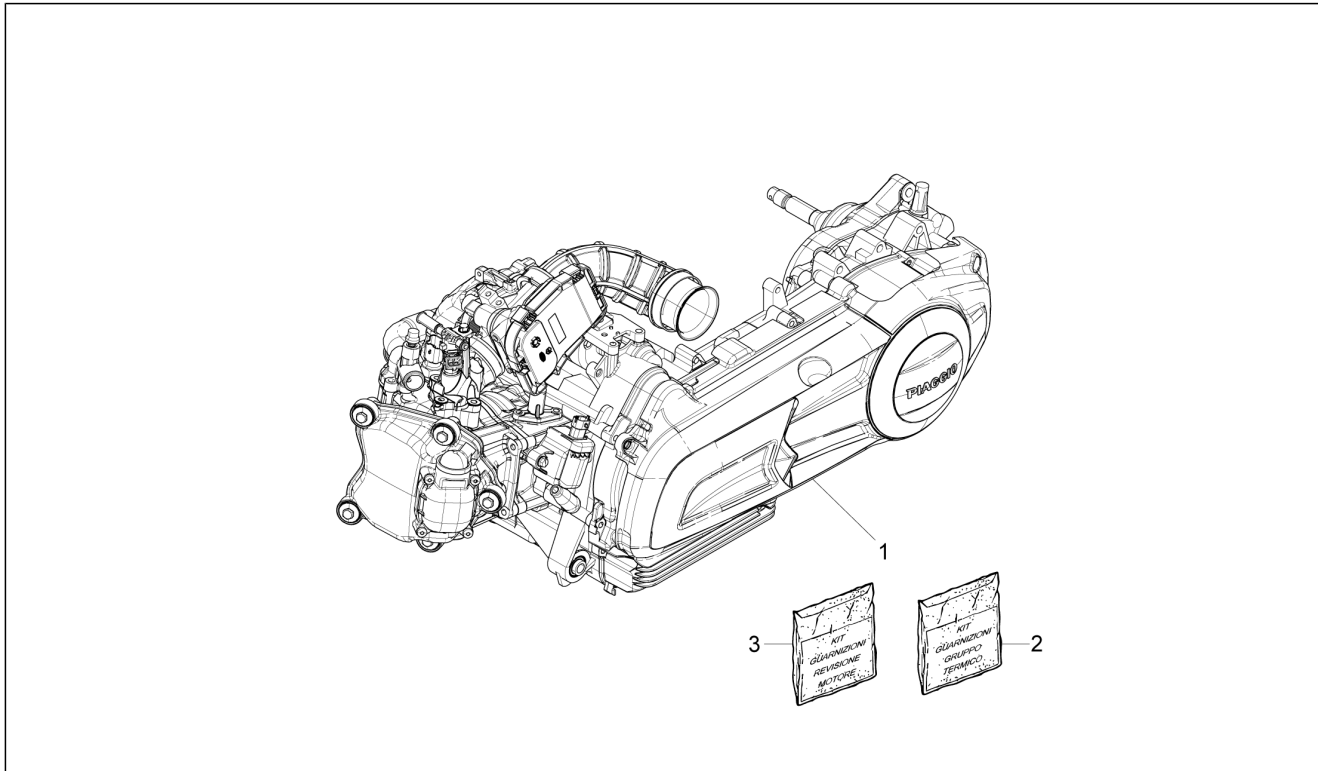


Vespa GTS 300
EVGS000EXE Vespa GTS 300 - E3 - E4 - 75° Anniversario
2021 (APAC)

Chassis prefix: RP8M45717, RP8M45849,
RP8M45716, RP8M45715, RP8M45716,
RP8M45717,
Engine prefix: M45TM, M45RM,
M45MM, M45RM, M45TM

Code	No. table	Pos.	Code	No. table	Pos.	Code	No. table	Pos.
B014925	01.11	15	CM012813	02.46	26	CM225730	06.08	7
B014970	01.11	12	CM013201	02.47	28	CM291201	01.36	3
B015752	01.45	30	CM013201	02.61	13	CM291701	01.36	1
B015956	01.05	3	CM013201	02.61	9	CM2917045	01.36	1
B015956	01.05	9	CM013201	06.08	18	CM294407	05.02	10
B015956	01.15	4	CM013202	06.08	18	CM294702	01.13	1
B015957	01.05	5	CM017403	06.03	11	CM294703	01.13	1
B015957	01.07	10	CM017403	06.03	5	CM294804	05.02	17
B015959	01.05	6	CM017405	06.03	11	CM294902	01.13	4
B016425	01.05	25	CM017406	02.30	30	CM294904	01.13	4
B016426	01.18	5	CM017406	06.04	12	CM295304	03.06	14
B016426	02.39	4	CM017408	02.30	3	CM295603	03.06	12
B016426	06.06	4	CM017409	03.01	4	CM306001	02.45	2
B016774	01.18	20	CM017410	02.30	7	CM306002	02.45	1
B016774	01.20	2	CM017410	02.31	9	CM3117015	01.14	15
B016774	06.06	13	CM017410	02.32	8	CM316301	01.14	1
B016777	01.18	26	CM017410	02.46	31	D9004468091	02.26	4
B016777	05.02	27	CM017410	04.02	18	D9004468091	06.04	5
B016792	01.15	11	CM017811	06.08	24	R1U000047	02.33	1
B016792	01.15	14	CM023703	02.46	12	R1U000048	02.31	1
B016792	01.18	8	CM025707	02.47	11			
B016792	06.06	3	CM028201	02.61	14			
B016805	01.25	12	CM067806	04.01	14			
B016806	01.25	11	CM071822	06.05	5			
B016807	01.10	11	CM077703	02.55	30			
B016807	01.23	13	CM077703	06.08	17			
B016808	01.10	17	CM083306	06.06	14			
B016808	02.25	19	CM083801	03.06	8			
B0168895	01.25	8	CM083802	03.06	7			
B017342	01.07	11	CM087722	03.06	6			
B017915	01.18	1	CM162202	01.25	10			
B019290	01.11	3	CM177910	02.61	11			
B019290	01.11	6	CM177910	02.61	16			
CM001432	02.47	23	CM178601	02.30	32			
CM001902	02.55	31	CM178601	02.30	4			
CM001904	01.12	10	CM178601	02.31	8			
CM001904	01.12	11	CM178601	02.32	10			
CM001904	01.19	7	CM178601	02.46	30			
CM001904	01.19	8	CM178604	02.30	2			
CM001904	01.45	31	CM178604	02.31	3			
CM001904	02.55	32	CM178604	03.01	3			
CM001905	02.55	33	CM178606	02.55	10			
CM001907	02.55	34	CM178607	02.30	13			
CM001908	02.55	14	CM178609	02.32	9			
CM001908	02.55	35	CM178610	02.30	6			
CM001914	02.47	29	CM179005	02.47	21			
CM001914	02.61	10	CM179005	02.61	6			
CM001914	02.61	12	CM179101	02.26	2			
CM001914	02.61	7	CM179101	02.32	7			
CM001915	02.55	36	CM179201	02.31	2			
CM001922	01.19	6	CM179201	02.37	3			
CM002905	02.47	25	CM179201	02.46	13			
CM002905	02.47	26	CM179201	02.55	3			
CM002908	01.45	28	CM179201	02.55	6			
CM002908	02.47	22	CM179202	01.45	40			
CM002910	01.45	14	CM179202	06.04	6			
CM006311	02.30	36	CM179301	01.45	38			
CM006903	02.55	37	CM179301	01.45	43			
CM006904	06.08	20	CM179301	02.30	40			
CM006906	06.08	19	CM179301	02.37	2			
CM006907	06.08	19	CM179301	02.55	26			
CM006908	01.12	12	CM179301	04.02	14			
CM006908	05.02	30	CM179302	02.31	5			
CM006908	06.08	23	CM179302	06.04	2			
CM006910	06.08	22	CM179302	06.05	3			
CM006912	06.08	20	CM180701	03.01	7			
CM012811	02.46	25	CM180702	03.02	4			

Group	Engine
Code	01.02
Description	Engine, assembly
Service	1



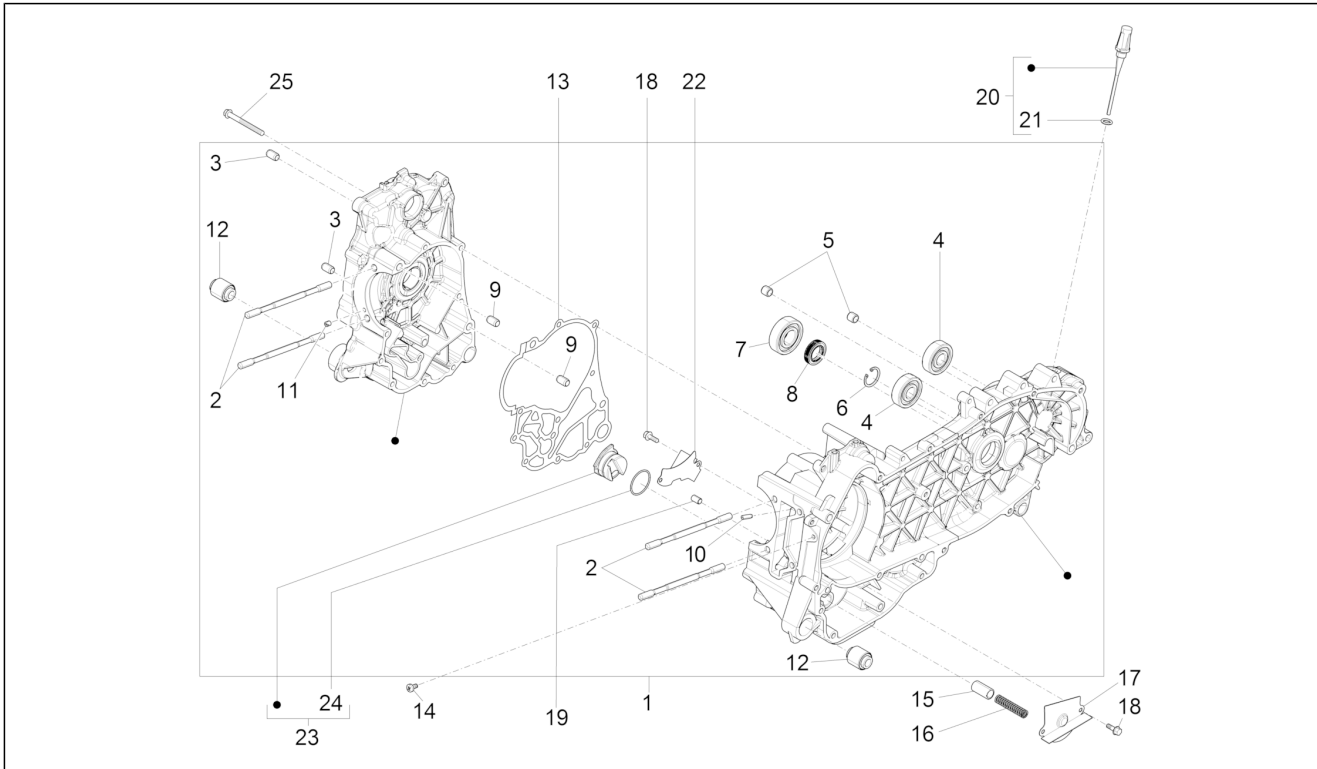
Pos.	Code	Description	Qty	Variants
1	1U000391	Complete 300 engine 4T/4V E3	1	Colour: Y03 - GIALLO LUCIDO ZOLFO VESPA 75th MIV[Y03] Country: Export Version[EXE] Colour: Y03 - GIALLO LUCIDO ZOLFO VESPA 75th MIV[Y03] Country: Vietnam version[VT] Colour: Y03 - GIALLO LUCIDO ZOLFO VESPA 75th MIV[Y03] Country: Vietnam version[VT]
1	1U000419	Complete 300 engine 4T/4V E4	1	Colour: Y03 - GIALLO LUCIDO ZOLFO VESPA 75th MIV[Y03] Country: Taiwan version[TN] Colour: Y03 - GIALLO LUCIDO ZOLFO VESPA 75th MIV[Y03] Country: Cina Version[CN] Colour: Y03 - GIALLO LUCIDO ZOLFO VESPA 75th MIV[Y03] Country: Japan version[JP]
1	1U000417	Complete 300 engine 4T/4V E4	1	Colour: Y03 - GIALLO LUCIDO ZOLFO VESPA 75th MIV[Y03] Country: Export Version[EXE] Colour: Y03 - GIALLO LUCIDO ZOLFO VESPA 75th MIV[Y03] Country: Hong Kong-Singapore [HK-S]
2	497545	Cylinder gasket kit	1	
3	497592	Engine gasket set	1	



Vespa GTS 300
EVGS000EXE Vespa GTS 300 - E3 - E4 - 75° Anniversario
2021 (APAC)

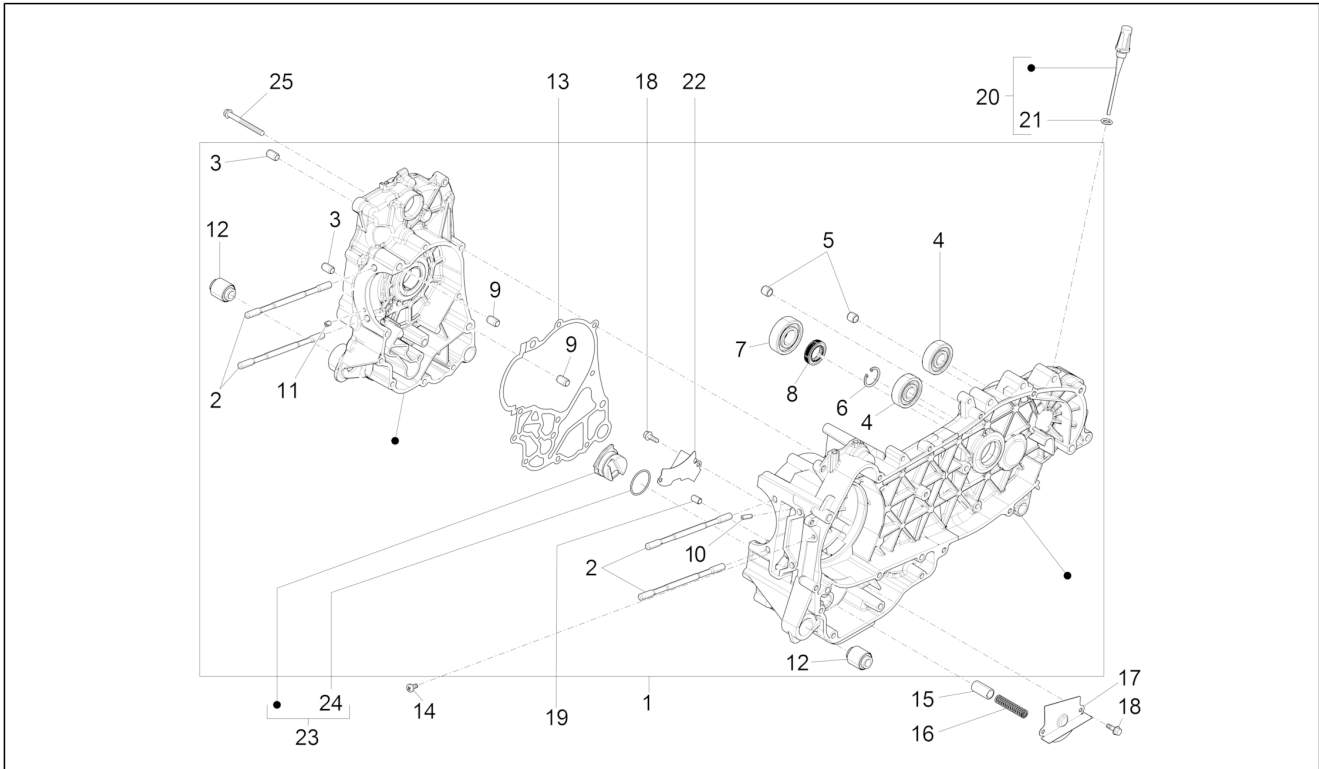
Chassis prefix: RP8M45717, RP8M45849,
RP8M45716, RP8M45715, RP8M45716,
RP8M45717,
Engine prefix: M45TM, M45RM,
M45MM, M45RM, M45TM

Group	Engine
Code	01.05
Description	Crankcase
Service	1



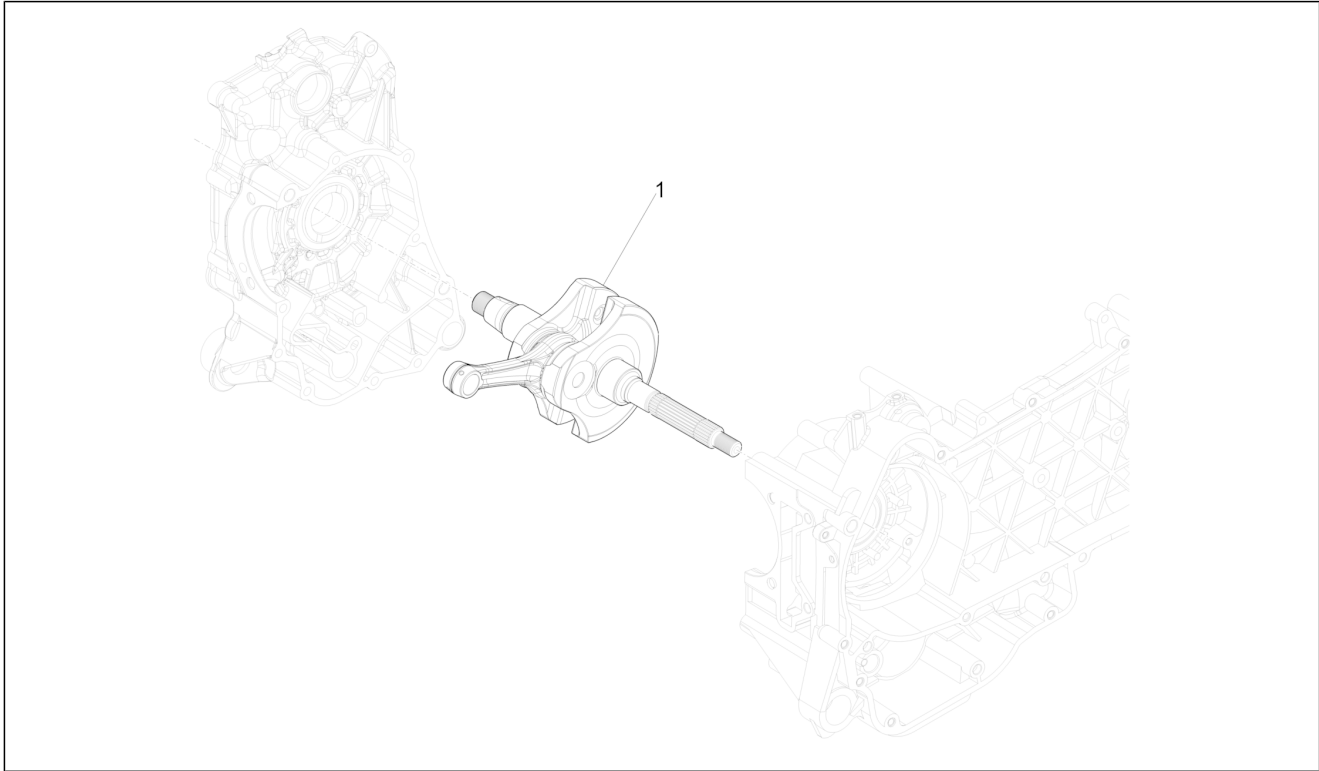
Pos.	Code	Description	Qty	Variants
1	1A01206301	Complete crankcase 1st cat.	1	Colour: Y03 - GIALLO LUCIDO ZOLFO VESPA 75th MIV[Y03] Country: Export Version[EXE] Colour: Y03 - GIALLO LUCIDO ZOLFO VESPA 75th MIV[Y03] Country: Vietnam version[VT] Colour: Y03 - GIALLO LUCIDO ZOLFO VESPA 75th MIV[Y03] Country: Taiwan version[TN] Colour: Y03 - GIALLO LUCIDO ZOLFO VESPA 75th MIV[Y03] Country: Export Version[EXE] Colour: Y03 - GIALLO LUCIDO ZOLFO VESPA 75th MIV[Y03] Country: Cina Version[CN] Colour: Y03 - GIALLO LUCIDO ZOLFO VESPA 75th MIV[Y03] Country: Japan version[JP] Colour: Y03 - GIALLO LUCIDO ZOLFO VESPA 75th MIV[Y03] Country: Vietnam version[VT] Colour: Y03 - GIALLO LUCIDO ZOLFO VESPA 75th MIV[Y03] Country: Hong Kong-Singapore [HK-S]
1	1A01206302	2nd cat. complete crankcase	1	Colour: Y03 - GIALLO LUCIDO ZOLFO VESPA 75th MIV[Y03] Country: Export Version[EXE] Colour: Y03 - GIALLO LUCIDO ZOLFO VESPA 75th MIV[Y03] Country: Vietnam version[VT] Colour: Y03 - GIALLO LUCIDO ZOLFO VESPA 75th MIV[Y03] Country: Taiwan version[TN] Colour: Y03 - GIALLO LUCIDO ZOLFO VESPA 75th MIV[Y03] Country: Export Version[EXE] Colour: Y03 - GIALLO LUCIDO ZOLFO VESPA 75th MIV[Y03] Country: Cina Version[CN] Colour: Y03 - GIALLO LUCIDO ZOLFO VESPA 75th MIV[Y03] Country: Japan version[JP] Colour: Y03 - GIALLO LUCIDO ZOLFO VESPA 75th MIV[Y03] Country: Vietnam version[VT] Colour: Y03 - GIALLO LUCIDO ZOLFO VESPA 75th MIV[Y03] Country: Hong Kong-Singapore [HK-S]
2	1A003628R	Stud bolt	4	
3	B015956	Pin d.9,5 h=15	2	
4	83018R	Radial ball bearing 15x42x13	2	
5	B015957	Locating dowel	2	

Group	Engine
Code	01.05
Description	Crankcase
Service	1



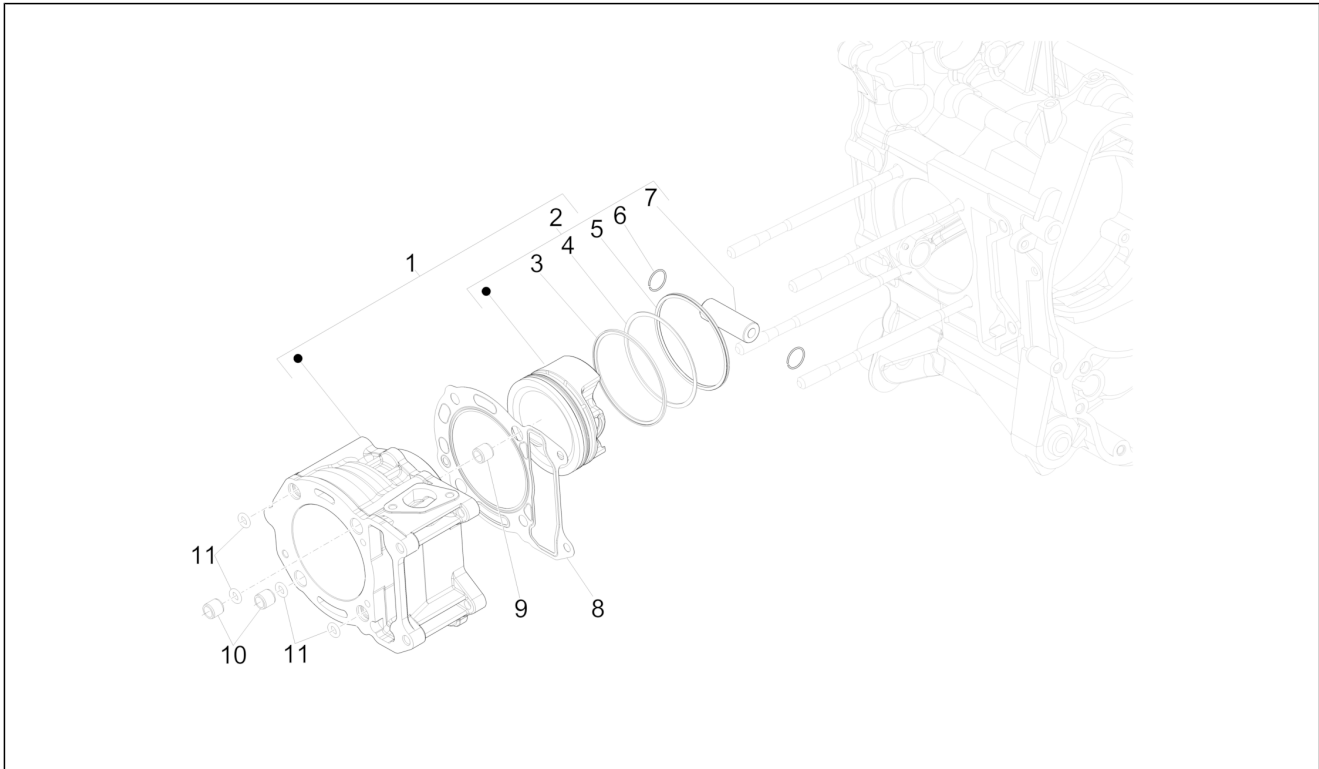
Pos.	Code	Description	Qty	Variants
6	B015959	Circlip 25x26,9x1,2	1	
7	833701	Radial ball bearing 20x47x14	1	
8	82878R	Gasket ring 20-32-7	1	
9	B015956	Pin d.9,5 h=15	2	
10	484034	Nozzle	1	
11	844582	Nozzle D 1.1	1	
12	486081	Engine support silent-block	2	
13	875111	Gasket	1	
14	018575	Screw M5x10	1	
15	829661	Oil pressure valve	1	
16	485655	Spring	1	
17	483767	Lower oil bulkhead	1	
18	830061	Flanged hexagon screw M5x16	4	
19	277916	Locating dowel Ø7,5x12	1	
20	832130	Complete oil level dipstick	1	
21	827085	Gasket ring 14,43x9,19x2,62	1	
22	485047	Upper oil bulkhead	1	
23	845861	Filter door insert	1	
24	431065	Gasket	1	
25	B016425	Flanged hexagon screw M6x60	10	

Group	Engine
Code	01.06
Description	Crankshaft
Service	1



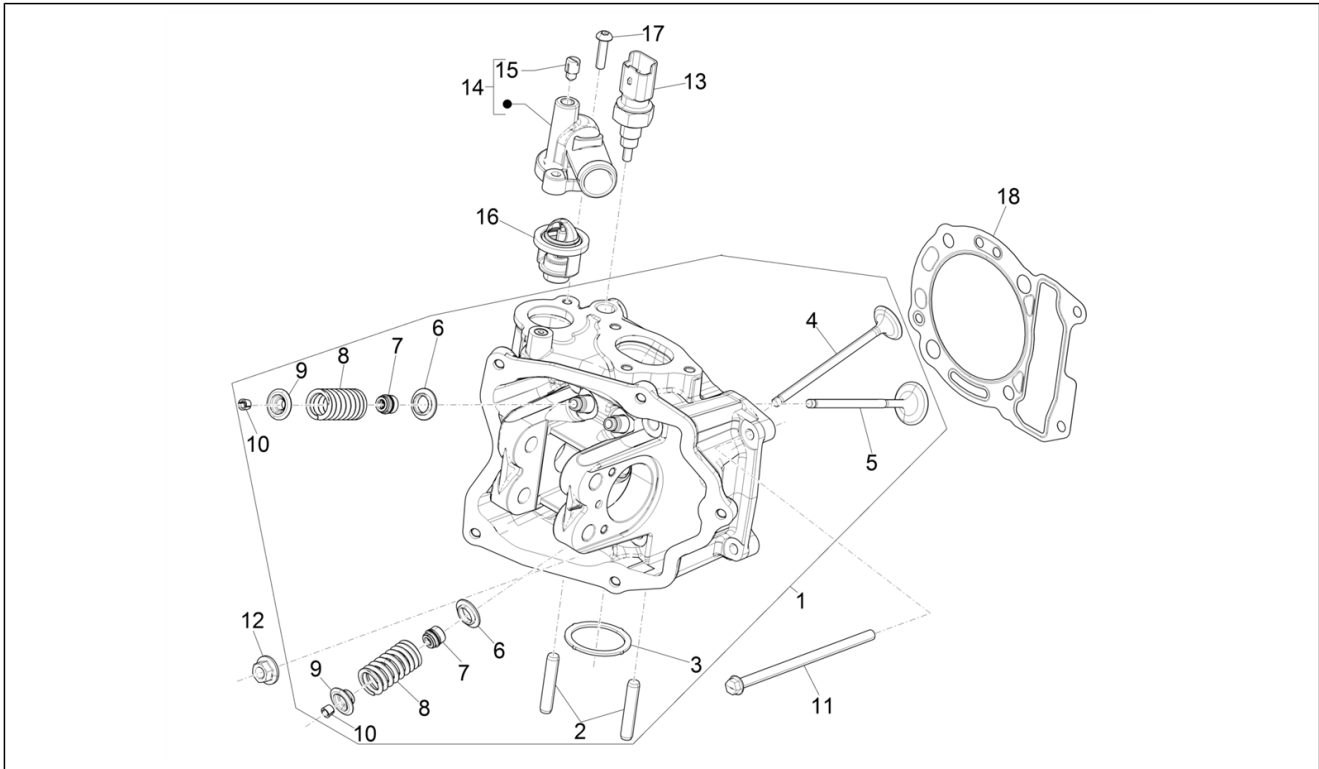
Pos.	Code	Description	Qty	Variants
1	1A013591R01	Crankshaft, assy. class 1	1	
1	1A013591R02	Crankshaft, assy. class 2	1	

Group	Engine
Code	01.07
Description	Cylinder-piston-wrist pin unit
Service	1



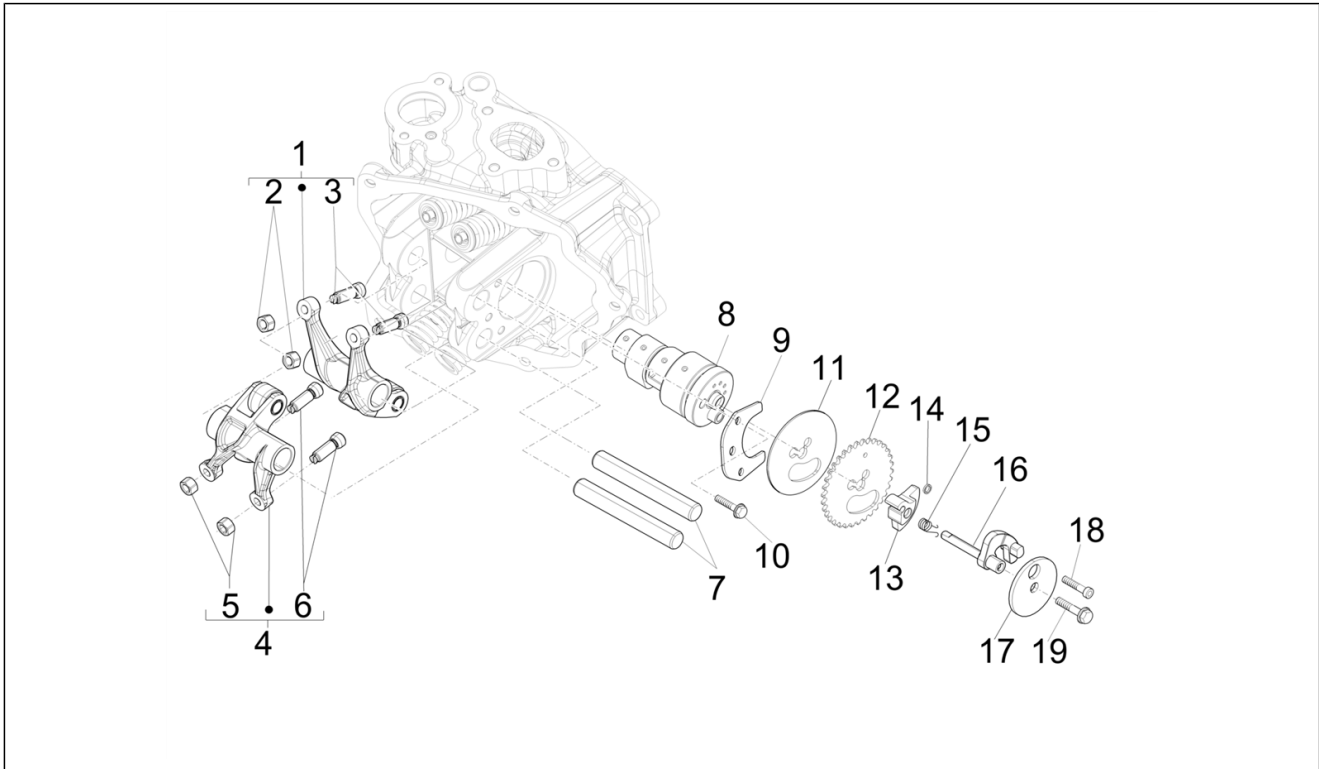
Pos.	Code	Description	Qty	Variants
1	1A013363	Cylinder - piston - pin - parts- rings assembly	1	
2	1A0133640M	Piston + piston pin Cat. 1 "M"	1	
2	1A0133640N	Piston + piston pin Cat. 2 "N"	1	
2	1A0133640O	Piston + piston pin Cat. 3 "O"	1	
2	1A0133640P	Piston + piston pin Cat. 4 "P"	1	
3	1A011379	Compression ring	1	
4	1A013666	Oil scraper section	1	
5	1A013667	Oil scraper section	1	
6	875096	Snap ring	2	
7	875005	Piston pin	1	
8	875113	Cylinder base gasket 0,6 mm	1	
9	277916	Locating dowel Ø7,5x12	2	
10	B015957	Locating dowel	2	
11	B017342	O-ring	4	

Group	Engine
Code	01.10
Description	Cylinder head unit - Valve
Service	1



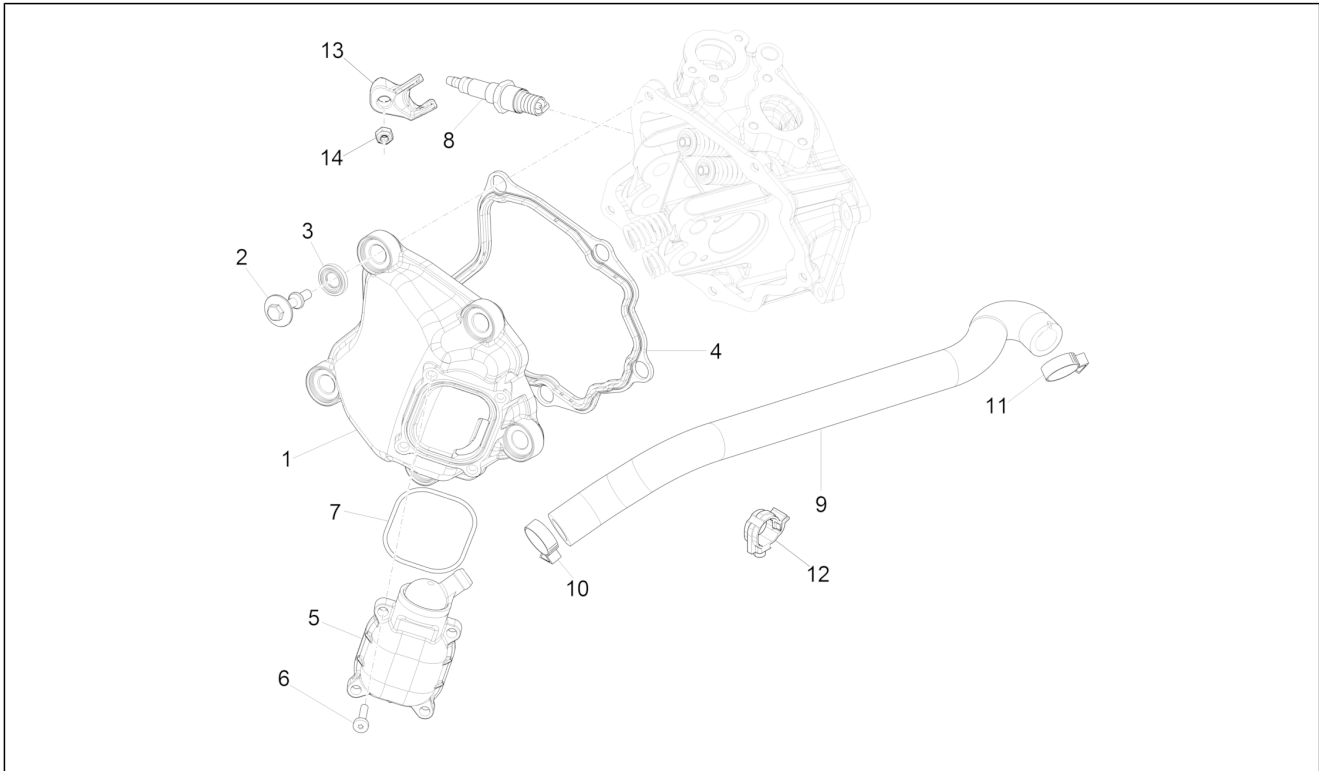
Pos.	Code	Description	Qty	Variants
1	1A0134325	Cylinder head assembly	1	
2	435629	Stud bolt M7	2	
3	480853	Exhaust pipe gasket	1	
4	1A014447	Exhaust valve \varnothing 22.2 mm	2	
5	1A009730	Valve, in \varnothing 25 mm	2	
6	483711	Lower cap	4	
7	436438	Valve gasket ring	4	
8	1A009718	Spring	4	
9	483914	Upper cap	4	
10	285846	Valve half-cone	8	
11	B016807	screw M6x112,5	2	
12	1A010537	Nut M8 x 1.25	4	
13	640485	Temperature gauge	1	
14	1A011220	Water outlet union	1	
15	1A011176	Bleed screw	1	
16	82831R5	Thermostat	1	
17	B016808	Covex head screw with torx M5x20	2	
18	1A014002	Cylinder head gasket 0,3 mm	1	

Group	Engine
Code	01.11
Description	Rocking levers support unit
Service	1



Pos.	Code	Description	Qty	Variants
1	1A009684	Intake rocker with roller	1	
2	879916	Rocker arm adjuster nut	2	
3	B019290	Adjuster screw	2	
4	1A009686	Exhaust rocker with roller	1	
5	879916	Rocker arm adjuster nut	2	
6	B019290	Adjuster screw	2	
7	1A013022	Rocker arms axis	2	
8	1A0143690A	Camshaft with i.p. A	1	
8	1A0143690B	Camshaft with i.p. B	1	
8	1A0143690C	Camshaft with i.p. C	1	
9	877309	Camshaft plate	1	
10	484123	Screw w/ flange	2	
11	877310	Washer	1	
12	B014970	Timing system gear	1	
13	8291395	Decompressor counter weight	1	
14	487833	Gasket	1	
15	B014925	Decompression spring	1	
16	880893	Decompression counter weight	1	
17	B013841	Washer	1	
18	1A003053	Hex socket screw M5x30	1	
19	414838	Flanged hexagon screw M6x35	1	

Group	Engine
Code	01.12
Description	Cylinder head cover
Service	1



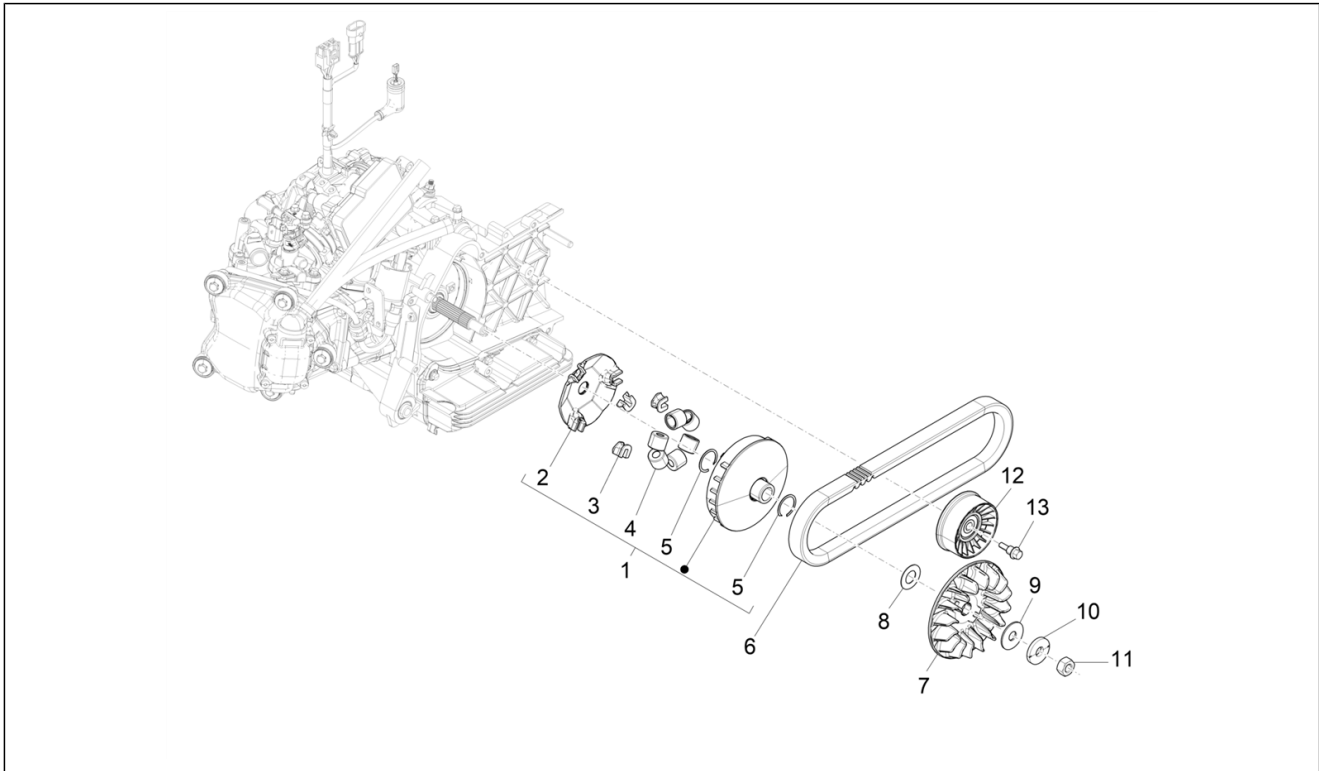
Pos.	Code	Description	Qty	Variants
1	829534	Head cover	1	
2	872635	Special screw	5	
3	830249	Damper drift	5	
4	829536	Head cover gasket	1	
5	1A010691R	Oil draining body with i.p.	1	
6	877136	Self tapping screw M5x20	4	
7	1A003985	Gasket	1	
8	1A013926	Ignition spark plug NGK MR7BI-8	1	
9	844094	Engine oil breather pipe	1	
10	CM001904	Hose clamp	1	
11	CM001904	Hose clamp	1	
12	CM006908	Non return spring L=23	1	
13	641521	Hood retainer	1	
14	810511	Nut	1	



Vespa GTS 300
EVGS000EXE Vespa GTS 300 - E3 - E4 - 75° Anniversario
2021 (APAC)

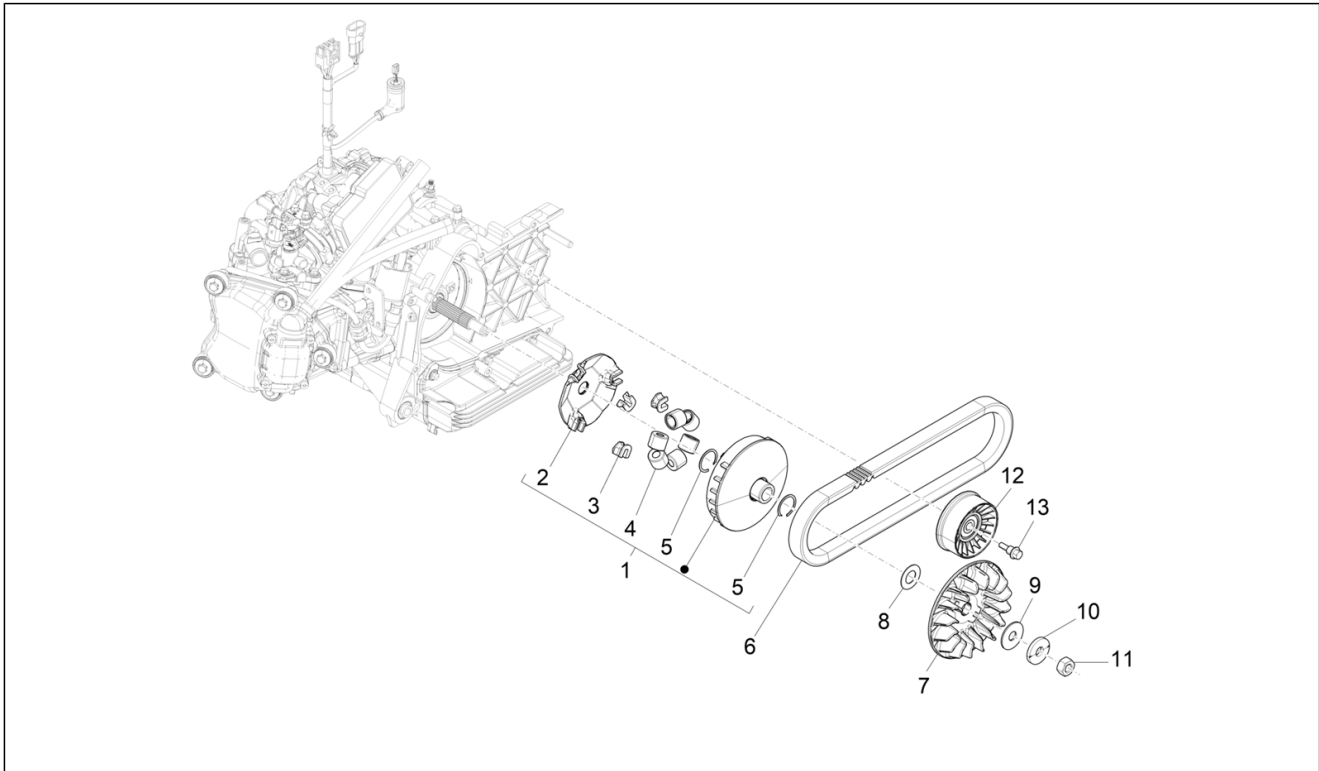
Chassis prefix: RP8M45717, RP8M45849,
RP8M45716, RP8M45715, RP8M45716,
RP8M45717,
Engine prefix: M45TM, M45RM,
M45MM, M45RM, M45TM

Group	Engine
Code	01.13
Description	Driving pulley
Service	1



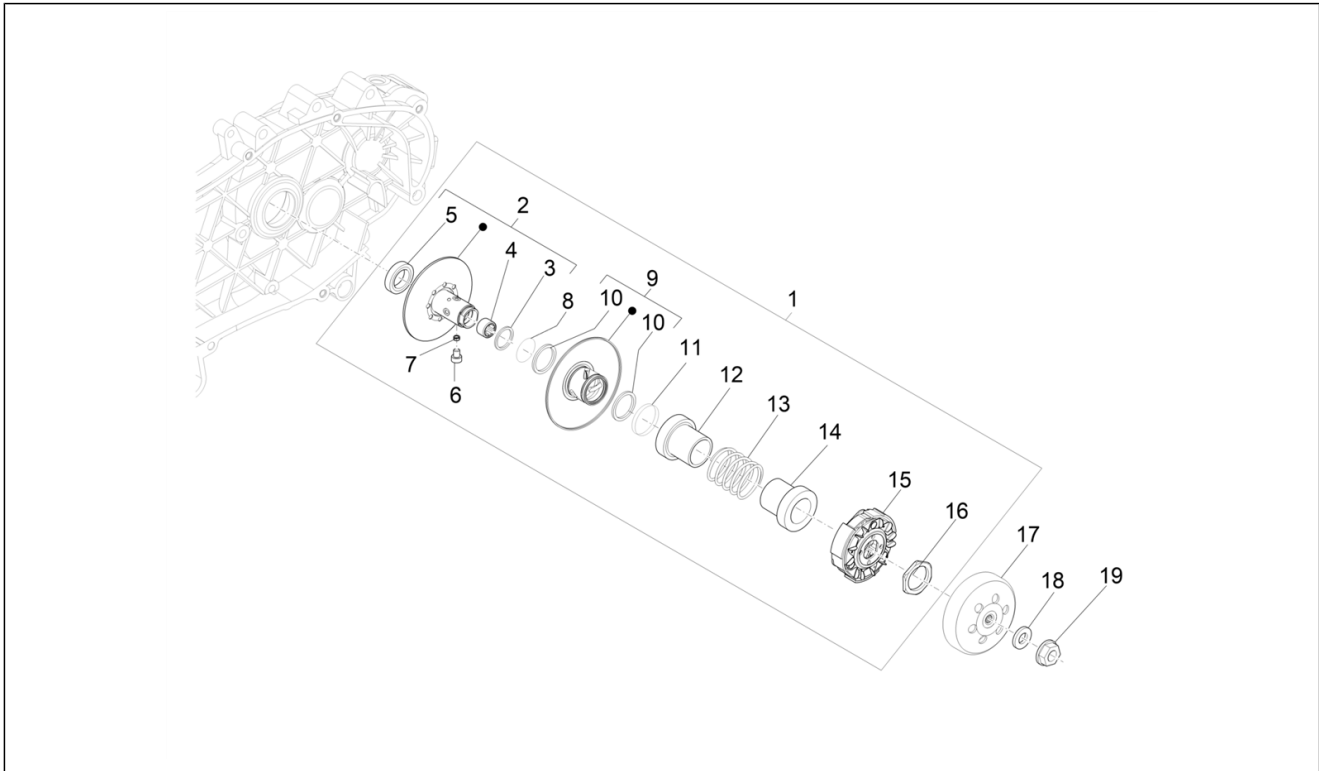
Pos.	Code	Description	Qty	Variants
1	CM294703	Complete roller housing	1	Colour:Y03 - GIALLO LUCIDO ZOLFO VESPA 75th MIV[Y03] Country:Taiwan version[TN] Colour:Y03 - GIALLO LUCIDO ZOLFO VESPA 75th MIV[Y03] Country:Cina Version[CN] Colour:Y03 - GIALLO LUCIDO ZOLFO VESPA 75th MIV[Y03] Country:Japan version[JP]
1	CM294702	Complete roller housing	1	Colour:Y03 - GIALLO LUCIDO ZOLFO VESPA 75th MIV[Y03] Country:Export Version[EXE] Colour:Y03 - GIALLO LUCIDO ZOLFO VESPA 75th MIV[Y03] Country:Vietnam version[VT] Colour:Y03 - GIALLO LUCIDO ZOLFO VESPA 75th MIV[Y03] Country:Export Version[EXE] Colour:Y03 - GIALLO LUCIDO ZOLFO VESPA 75th MIV[Y03] Country:Vietnam version[VT] Colour:Y03 - GIALLO LUCIDO ZOLFO VESPA 75th MIV[Y03] Country:Hong Kong-Singapore [HK-S]
2	1A012079	Roller contrast	1	
3	1A012092	Sliding block	3	
4	CM294904	Pin roller	6	Colour:Y03 - GIALLO LUCIDO ZOLFO VESPA 75th MIV[Y03] Country:Taiwan version[TN] Colour:Y03 - GIALLO LUCIDO ZOLFO VESPA 75th MIV[Y03] Country:Cina Version[CN] Colour:Y03 - GIALLO LUCIDO ZOLFO VESPA 75th MIV[Y03] Country:Japan version[JP]
4	CM294902	Pin roller	6	Colour:Y03 - GIALLO LUCIDO ZOLFO VESPA 75th MIV[Y03] Country:Export Version[EXE] Colour:Y03 - GIALLO LUCIDO ZOLFO VESPA 75th MIV[Y03] Country:Vietnam version[VT] Colour:Y03 - GIALLO LUCIDO ZOLFO VESPA 75th MIV[Y03] Country:Export Version[EXE] Colour:Y03 - GIALLO LUCIDO ZOLFO VESPA 75th MIV[Y03] Country:Vietnam version[VT] Colour:Y03 - GIALLO LUCIDO ZOLFO VESPA 75th MIV[Y03] Country:Hong Kong-Singapore [HK-S]
5	1A008144	Circlip	2	

Group	Engine
Code	01.13
Description	Driving pulley
Service	1



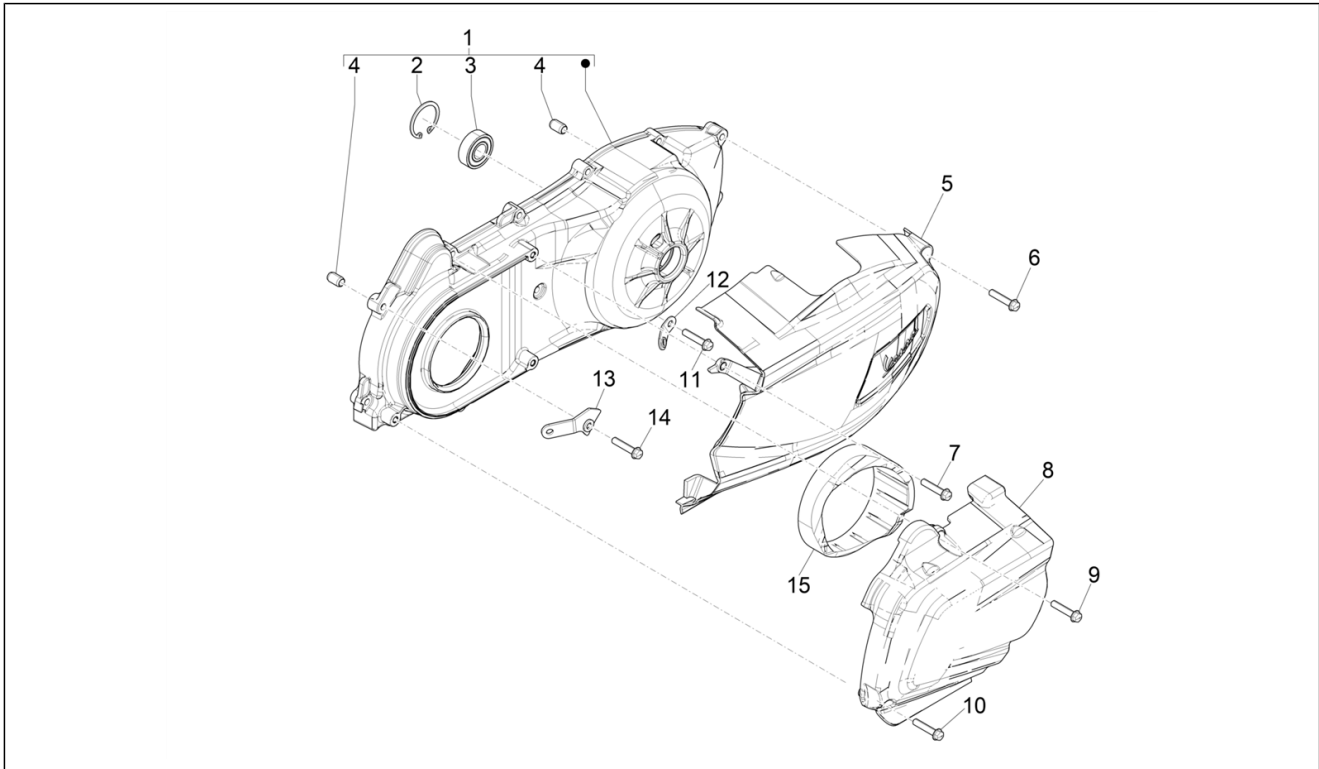
Pos.	Code	Description	Qty	Variants
6	1A009598	V-belt	1	
7	1A012937	Fixed driving half pulley	1	
8	434885	Plain washer 17x32x1	1	
9	840533	Flat washer 12.1x36x2	1	
10	880950	Belleville spring	1	
11	486324	Nut M12x1.25	1	
12	1A012076	Toothed pulley	1	
13	828217	Special screw	1	

Group	Engine
Code	01.14
Description	Driven pulley
Service	1



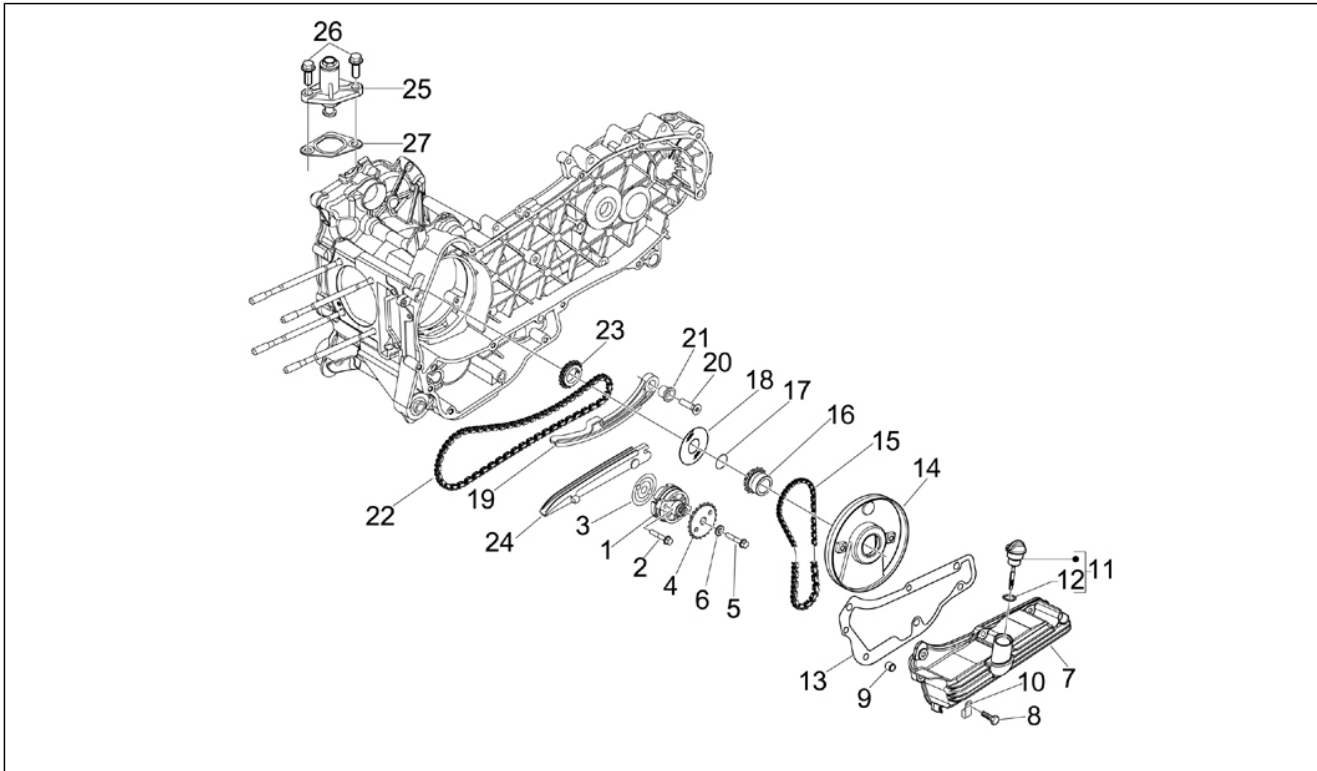
Pos.	Code	Description	Qty	Variants
1	CM316301	Driven pulley complete with clutch	1	
2	1A013202	Sec. fixed sheave	1	
3	483226	Snap ring	1	
4	82518R	Roller cage 20x29x18	1	
5	82753R	Bearing 17x30x7	1	
6	1A013269	Guide pin	4	
7	1A013271	Roller	4	
8	830585	O-ring	1	
9	1A013204	Sec.sliding sheave	1	
10	431089	Gasket ring	2	
11	855636	Gasket ring 50,52x1,78	1	
12	833674	Cup	1	
13	833673	Variator spring	1	
14	487936	Clutch side cap	1	
15	CM3117015	Centrifugal clutch assembly	1	
16	433232	Ring nut	1	
17	1A003991	Clutch drum	1	
18	274246	Flat washer 22x12,1x1	1	
19	486324	Nut M12x1.25	1	

Group	Engine
Code	01.15
Description	Crankcase cover - Crankcase cooling
Service	1



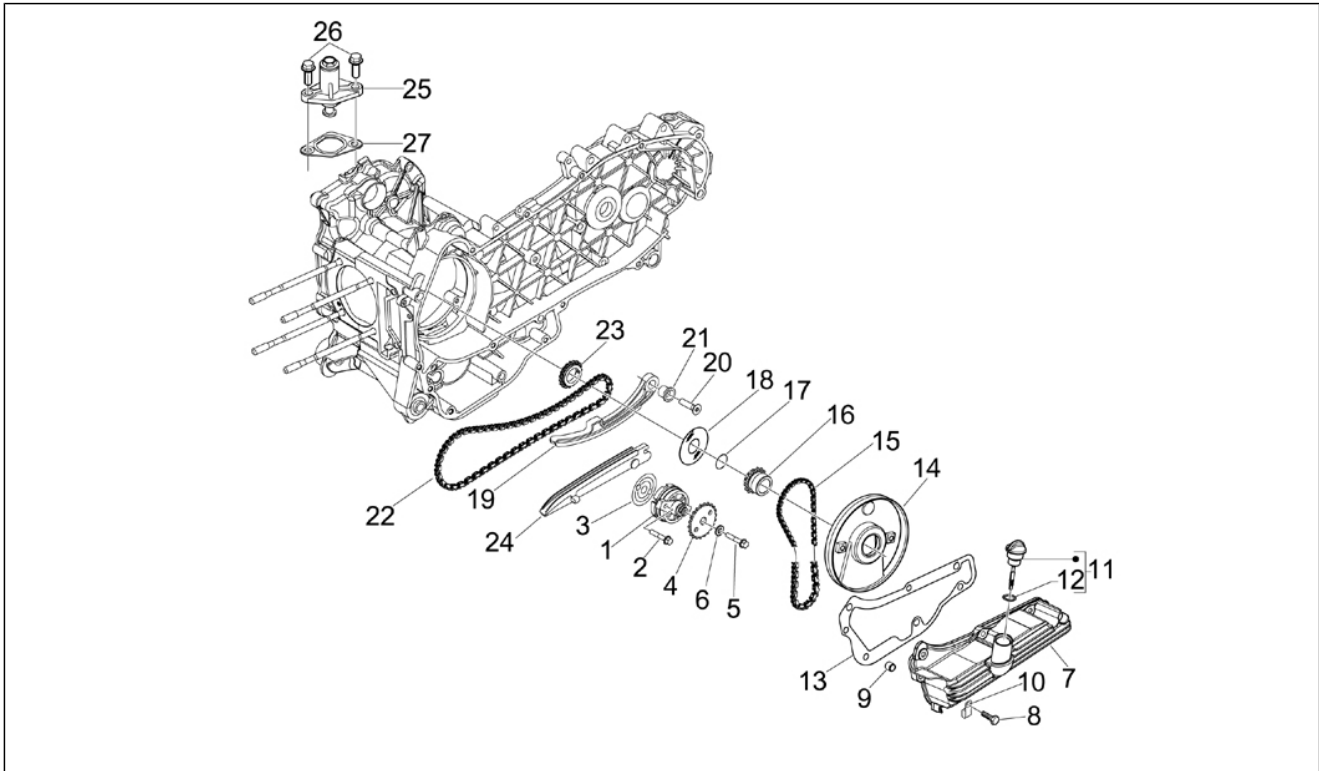
Pos.	Code	Description	Qty	Variants
1	8768835	Transmission cover with U.P.	1	
2	006635	Snap ring	1	
3	4789853	Radial bearing 15x35x11	1	
4	B015956	Pin d.9,5 h=15	2	
5	1A014720	Cover soundproofing material	1	
6	874549	Flanged hexagon screw	1	
7	414838	Flanged hexagon screw M6x35	2	
8	1A014961	Cooling Cover	1	
9	414838	Flanged hexagon screw M6x35	1	
10	874549	Flanged hexagon screw	1	
11	B016792	Flanged hexagon screw M6x30	6	
12	844964	Hose clamp	1	
13	877790	Bracket with U.P.	1	
14	B016792	Flanged hexagon screw M6x30	1	
15	1A011977	Air filter	1	

Group	Engine
Code	01.18
Description	Oil pump
Service	1



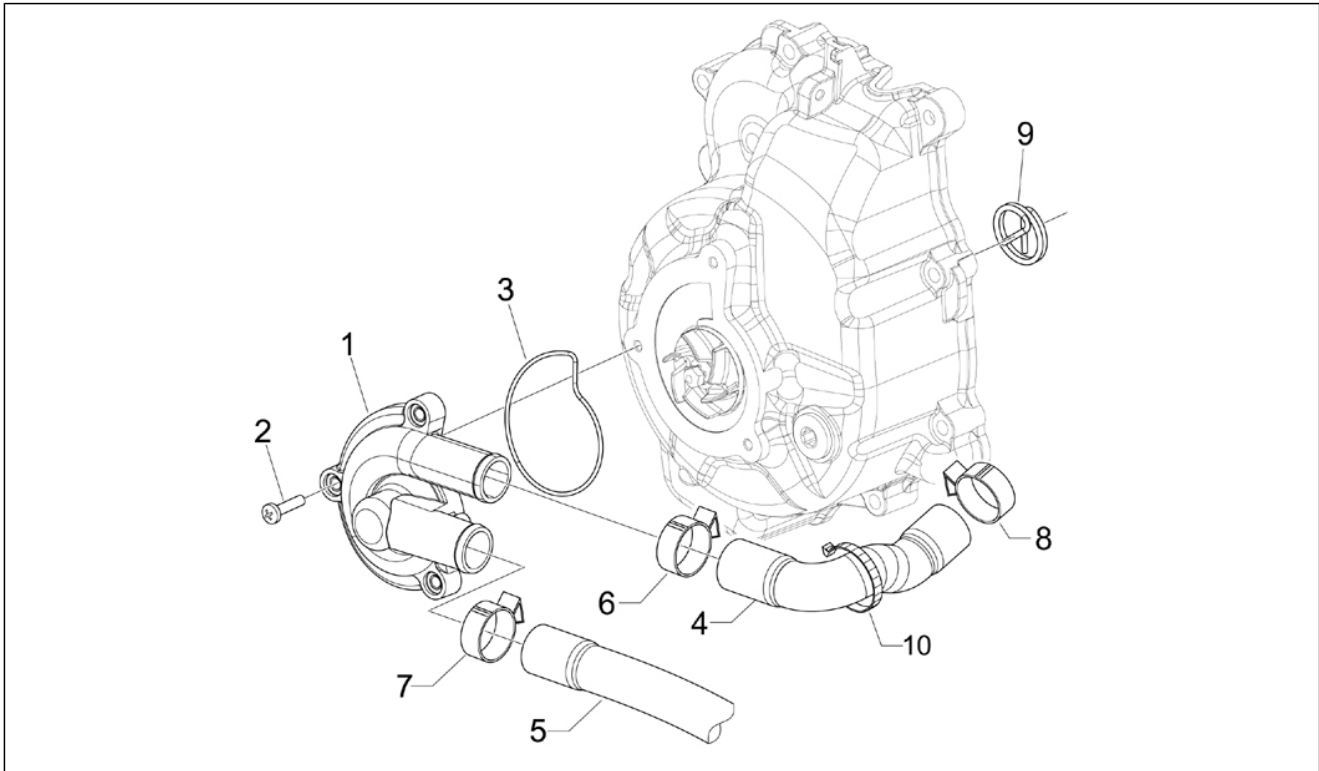
Pos.	Code	Description	Qty	Variants
1	B017915	Oil pump assembly	1	
2	829593	Flanged hexagon screw M5x35	2	
3	847929	Carter-oil pump gasket	1	
4	287913	Oil pump gear	1	
5	B016426	Flanged hexagon screw M6x14	1	
6	436695	Belleville spring Ø6,4xØ20x2	1	
7	1A012834	Motor oil cup	1	
8	B016792	Flanged hexagon screw M6x30	7	
9	277916	Locating dowel Ø7,5x12	3	
10	1C002642	Hose clamp	2	
11	879081	Oil dipstick	1	
12	479986	O-ring	1	
13	846098	Gasket	1	
14	847116	Timing system cover	1	
15	82649R	Oil pump chain	1	
16	82783R	Oil pump control pinion	1	
17	825952	O-Ring seal ring	1	
18	483918	Oil seal washer	1	
19	1A011207	Chain tensioner rod	1	
19	840344	Chain tensioner rod	1	
20	B016774	Flanged hexagon screw M6x25	1	
21	485868	Chain tensioner rod spacer	1	
22	82723R	Camshaft chain	1	
23	82782R	Timing chain pinion	1	
24	847516	Chain tensioner sliding block	1	
25	847277		1	
25	289919	Complete chain tensioner	1	
26	B016777	Flanged hexagon screw M6x16	2	

Group	Engine
Code	01.18
Description	Oil pump
Service	1



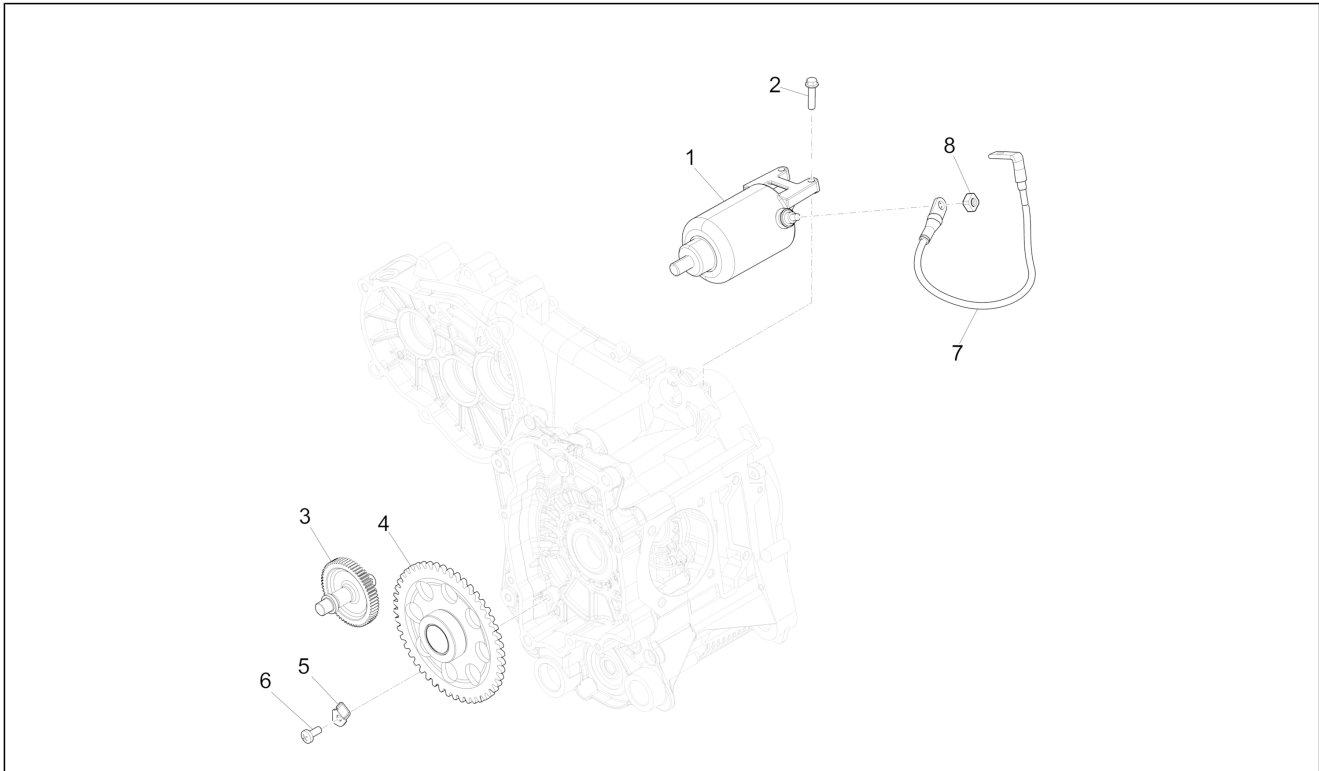
Pos.	Code	Description	Qty	Variants
27	847928	Cylinder/chain tensioner gasket	1	

Group	Engine
Code	01.19
Description	Cooler pump
Service	1



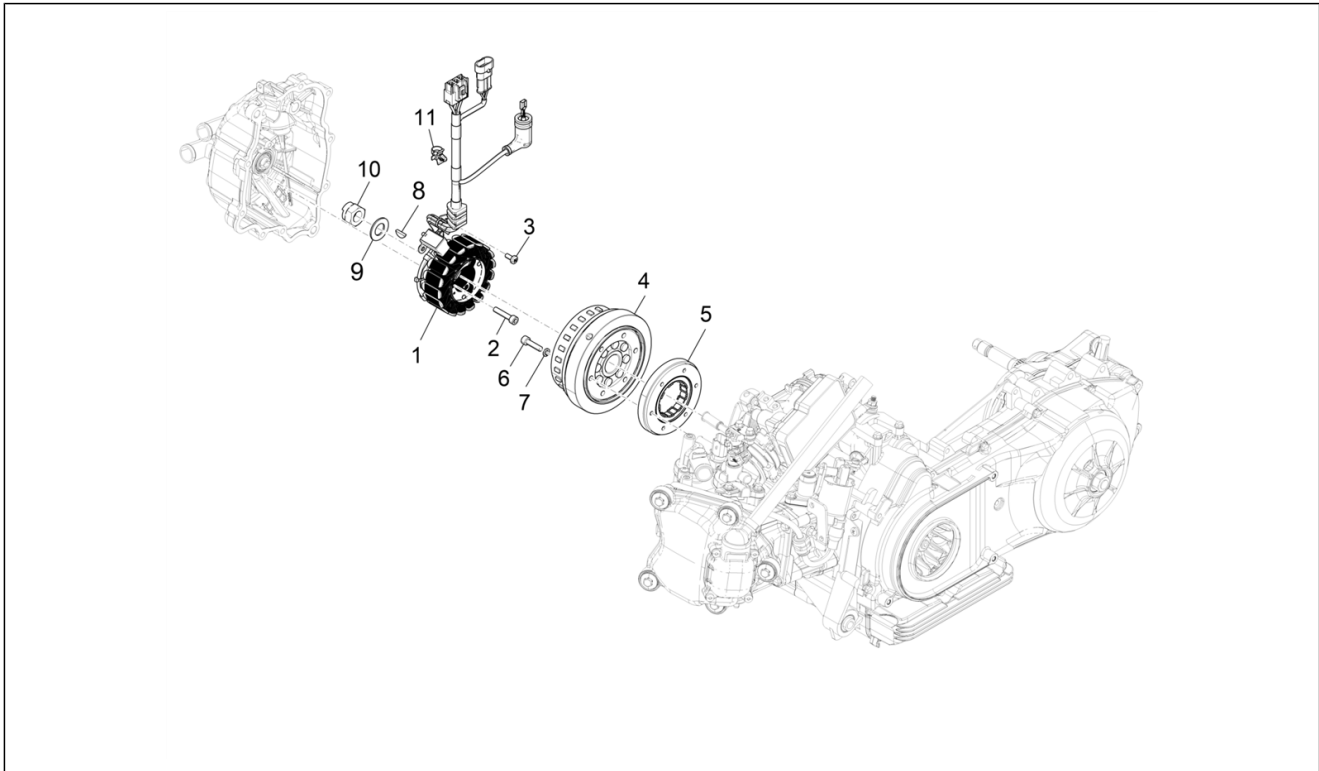
Pos.	Code	Description	Qty	Variants
1	877528	Water pump cover	1	
2	828662	Screw M5x22	3	
3	485080	O-ring	1	
4	878626	Pump-cylinder hose	1	
5	878940	By-pass pipe	1	
6	CM001922	Hose clamp	2	
7	CM001904	Hose clamp	1	
8	CM001904	Hose clamp	1	
9	842390	Drive key	1	
10	145298	Lock-strap L=180 mm	1	

Group	Engine
Code	01.20
Description	Stater - Electric starter
Service	1



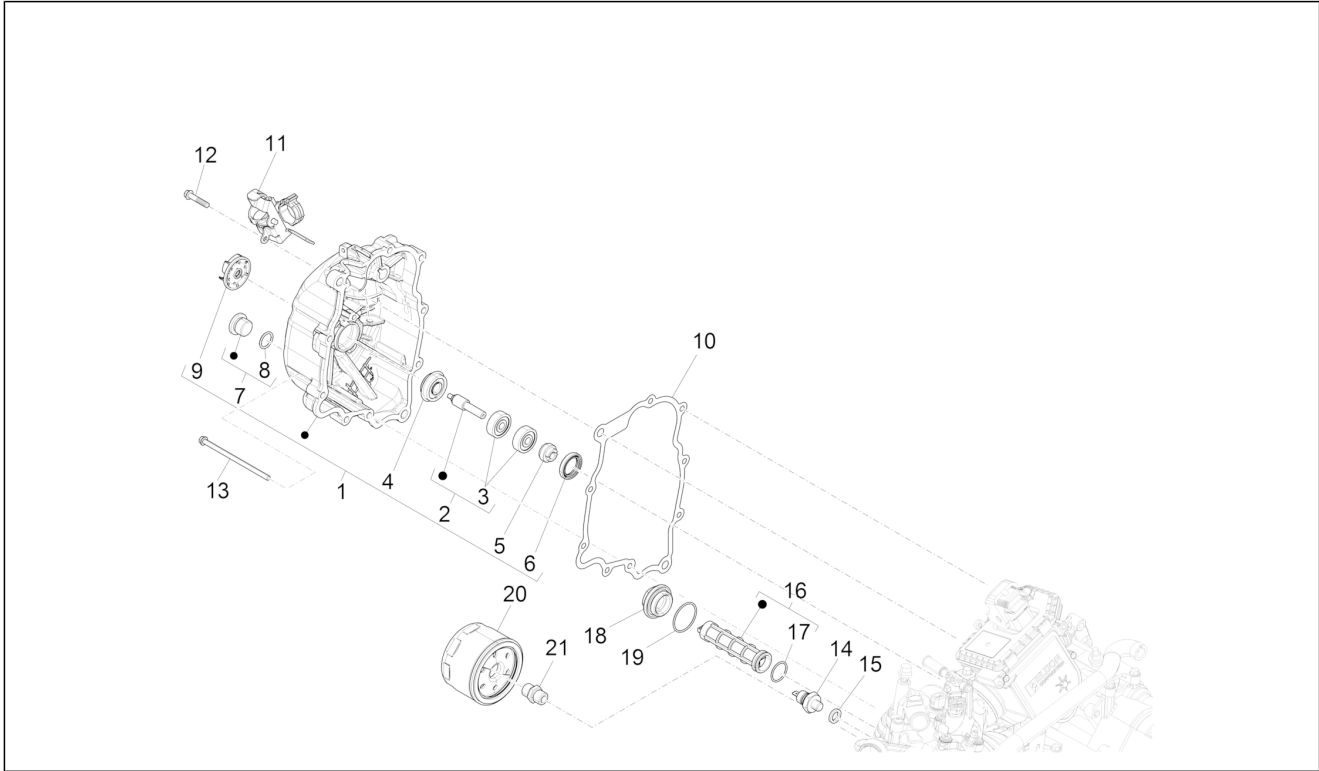
Pos.	Code	Description	Qty	Variants
1	1A011611R	Starter motor	1	
2	B016774	Flanged hexagon screw M6x25	2	
3	874803	Electric starter gear	1	
4	82737R	Starter motor gear	1	
5	1A000235	Ring container lamination	1	
6	008375	screw M6x14	1	
7	1D001983	Starter cable	1	
8	1A010205	Nut	1	

Group	Engine
Code	01.21
Description	Flywheel magneto
Service	1



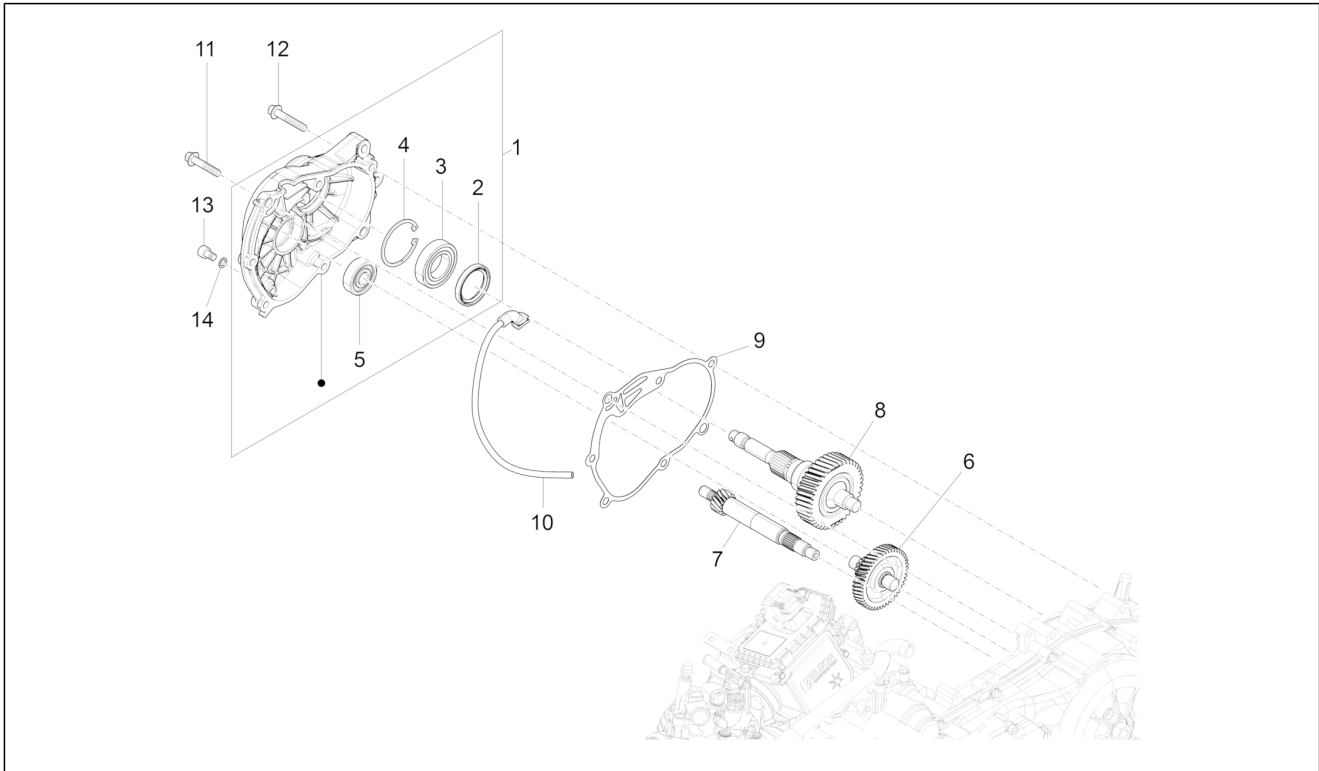
Pos.	Code	Description	Qty	Variants
1	642054	Stator (Kokusan)	1	
2	122637	Low head socket screw M6x30	3	
3	015585	Self-tapping screw M5x12	2	
4	1A012853	Rotor complete with hub	1	
5	1A0093875	Complete freewheel	1	
6	877289	Hex socket screw M6x24	6	
7	479515	Spring washer	6	
8	000097	Transmission key	1	
9	842385	Plain washer	1	
10	82952R	Special nut	1	
11	640879	Hose clamp 2,7x132	1	

Group	Engine
Code	01.23
Description	Flywheel magneto cover - Oil filter
Service	1



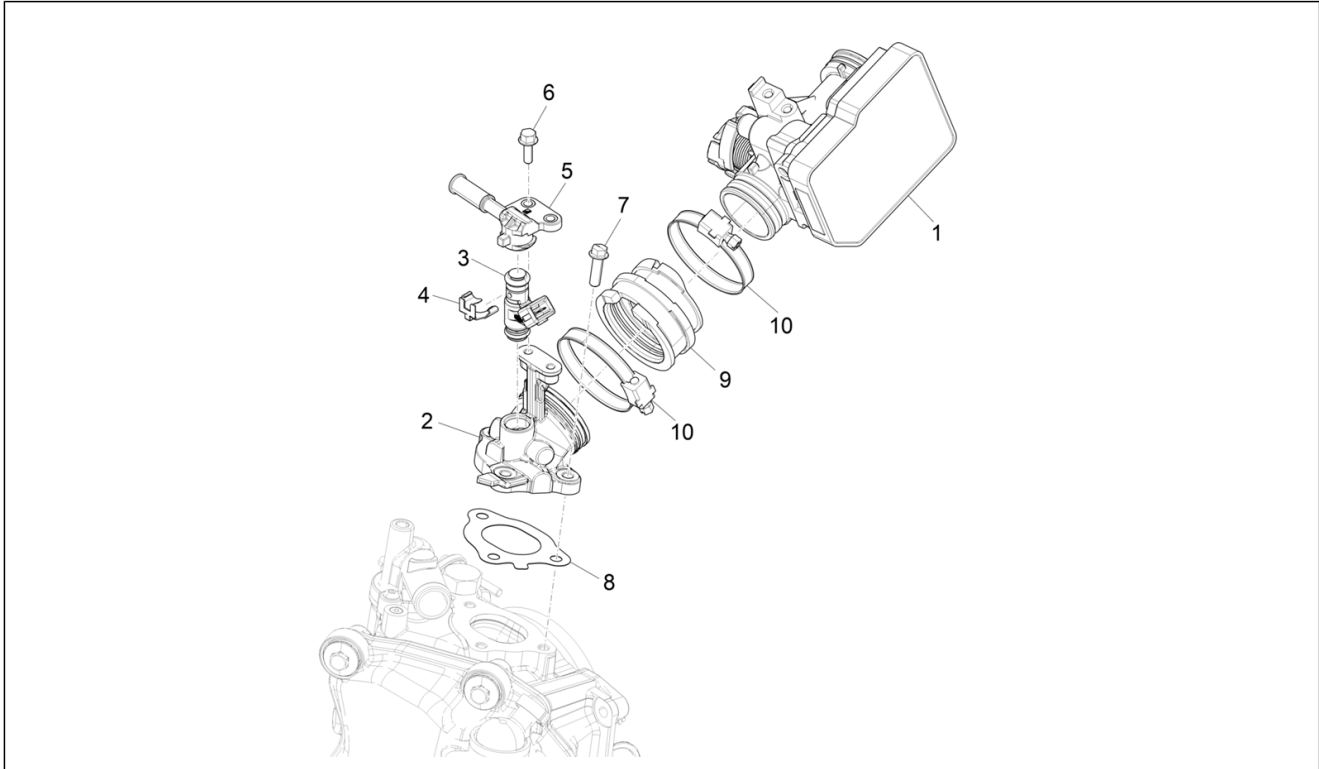
Pos.	Code	Description	Qty	Variants
1	1A0128565	Flywheel cover	1	
1	8798315	Flywheel cover cpl.	1	
2	8447595	Water pump shaft assy.	1	
3	82755R	Bearing 28x8x9	2	
4	82991R	Gasket ring	1	
5	842389	Pump impeller drive key	1	
6	82897R	Gasket ring 20x30x5	1	
7	8290405	Timing plug assembly	1	
8	1A009397	Packing	1	
9	844730	Water pump impeller cpl.	1	
10	840504	Flywheel housing cover gasket	1	
11	1A0078285	Cable support bracket	1	
12	414838	Flanged hexagon screw M6x35	9	
13	B016807	screw M6x112,5	1	
14	1D001138	Minimum oil pressure sensor	1	
15	AP9150472	Washer 10,5x17x1,5	1	
16	843568	Intake oil filter	1	
17	288474	O-ring 20,35x1,78	1	
18	826165	Oil filter plug	1	
19	285536	O-ring 31,47x1,78	1	
20	82635R	Oil filter	1	
21	840507	Oil filter special screw	1	

Group	Engine
Code	01.25
Description	Reduction unit
Service	1



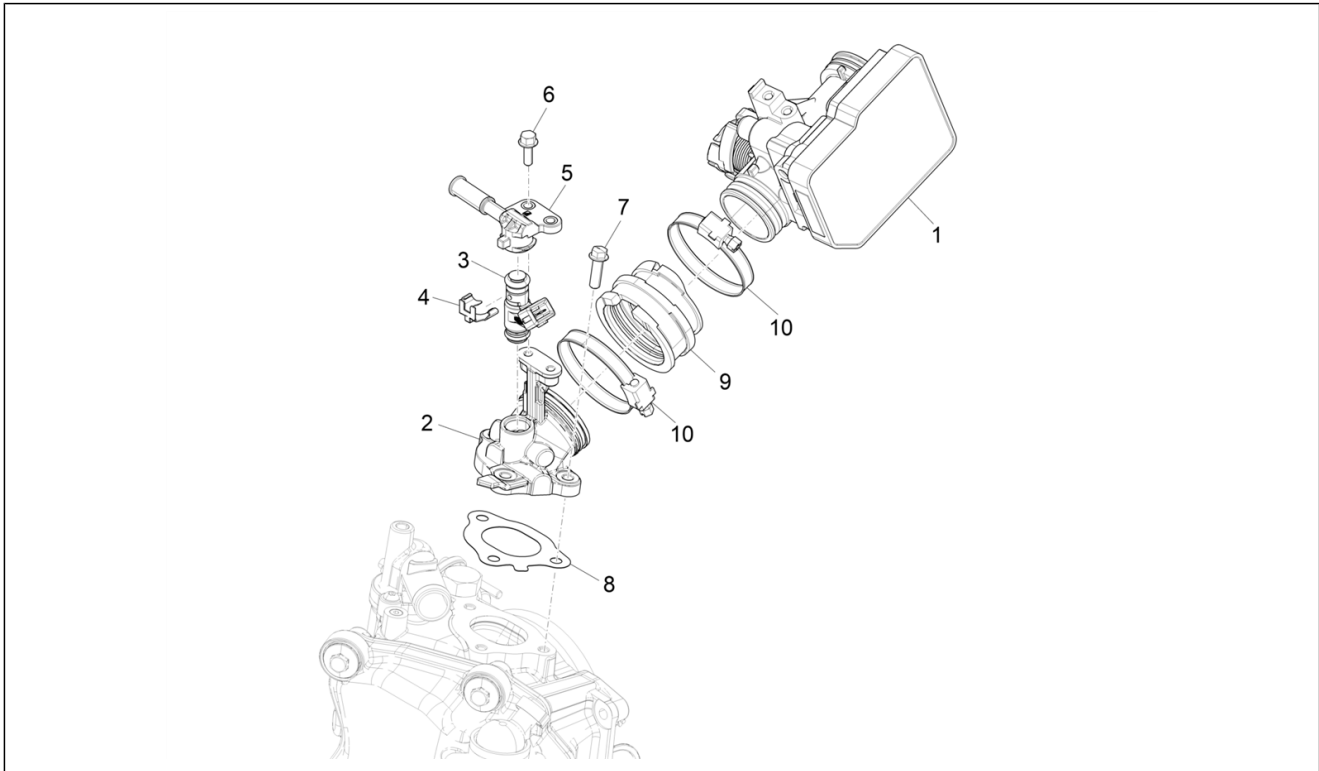
Pos.	Code	Description	Qty	Variants
1	8481875	Reducer cover with U.P.	1	
2	83082R	Gasket ring 38x50x7	1	
3	1A005376R	Bearing 30.55.13	1	
3	1A005376R	Bearing 30.55.13	1	
4	829206	Circlip	1	
5	83018R	Radial ball bearing 15x42x13	1	
6	8410015	Transmission shaft Z=21/50	1	
7	8738755	Driven pulley shaft z 15 Z=14	1	
8	B0168895	Rear wheel axle	1	
9	847931	Gasket	1	
10	1A009412	Reduction unit breather pipe assembly	1	Colour:Y03 - GIALLO LUCIDO ZOLFO VESPA 75th MIV[Y03] Country:Export Version[EXE]
10	CM162202	Reduction unit breather pipe assembly	1	Colour:Y03 - GIALLO LUCIDO ZOLFO VESPA 75th MIV[Y03] Country:Cina Version[CN] Colour:Y03 - GIALLO LUCIDO ZOLFO VESPA 75th MIV[Y03] Country:Japan version[JP]
11	B016806	Flanged hexagon screw M8x40	1	
12	B016805	Screw w/ flange M8x45	6	
13	269755	Countersunk cylindrical hex head screw M8x12	1	
14	485703	Washer 8.2x12x1	1	

Group	Engine
Code	01.36
Description	Throttle body - Injector - Induction joint
Service	1



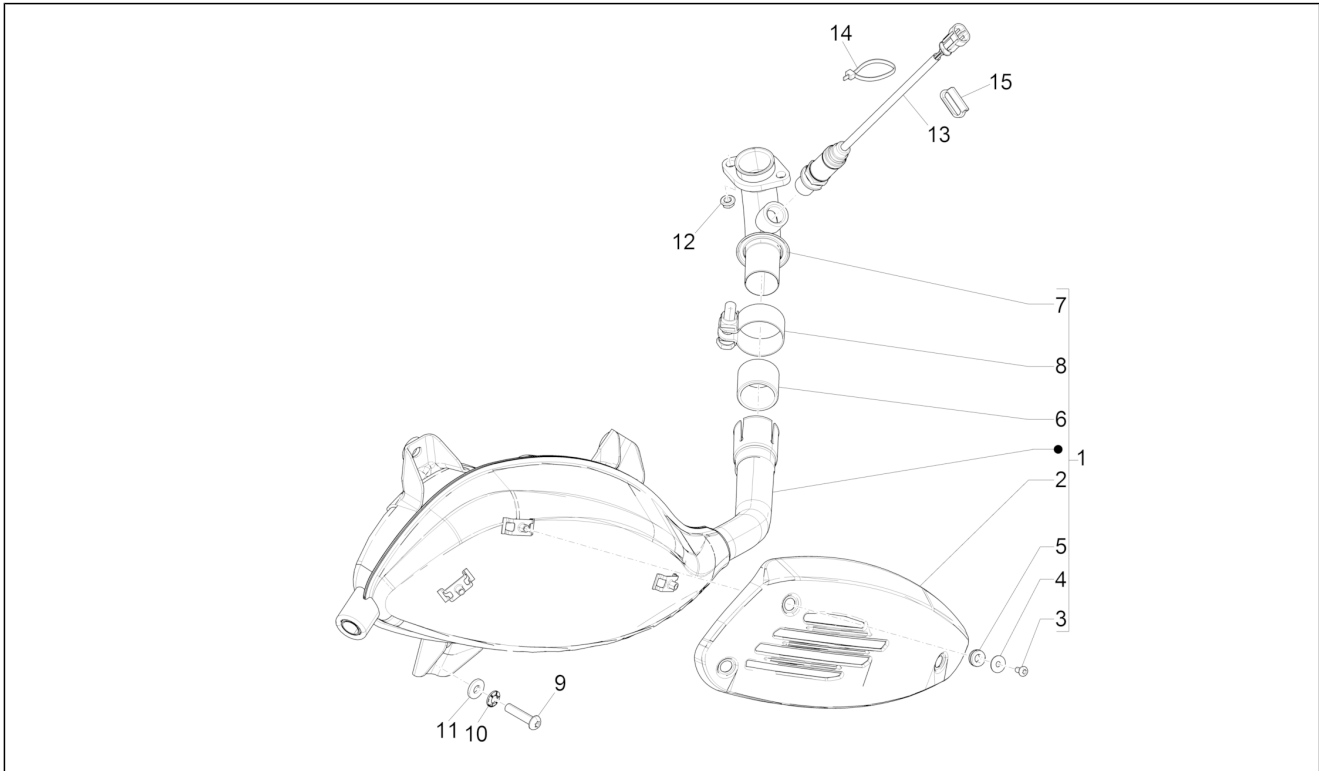
Pos.	Code	Description	Qty	Variants
1	CM2917045	Throttle body with E.C.U.	1	Colour:Y03 - GIALLO LUCIDO ZOLFO VESPA 75th MIV[Y03] Country:Taiwan version[TN]
1	CM291701	Throttle body with E.C.U.	1	Colour:Y03 - GIALLO LUCIDO ZOLFO VESPA 75th MIV[Y03] Country:Export Version[EXE] Colour:Y03 - GIALLO LUCIDO ZOLFO VESPA 75th MIV[Y03] Country:Vietnam version[VT] Colour:Y03 - GIALLO LUCIDO ZOLFO VESPA 75th MIV[Y03] Country:Export Version[EXE] Colour:Y03 - GIALLO LUCIDO ZOLFO VESPA 75th MIV[Y03] Country:Cina Version[CN] Colour:Y03 - GIALLO LUCIDO ZOLFO VESPA 75th MIV[Y03] Country:Japan version[JP] Colour:Y03 - GIALLO LUCIDO ZOLFO VESPA 75th MIV[Y03] Country:Vietnam version[VT] Colour:Y03 - GIALLO LUCIDO ZOLFO VESPA 75th MIV[Y03] Country:Hong Kong-Singapore [HK-S]
2	1A018241	Union	1	Colour:Y03 - GIALLO LUCIDO ZOLFO VESPA 75th MIV[Y03] Country:Export Version[EXE] Colour:Y03 - GIALLO LUCIDO ZOLFO VESPA 75th MIV[Y03] Country:Vietnam version[VT] Colour:Y03 - GIALLO LUCIDO ZOLFO VESPA 75th MIV[Y03] Country:Export Version[EXE] Colour:Y03 - GIALLO LUCIDO ZOLFO VESPA 75th MIV[Y03] Country:Vietnam version[VT] Colour:Y03 - GIALLO LUCIDO ZOLFO VESPA 75th MIV[Y03] Country:Hong Kong-Singapore [HK-S]
2	1A018242	Induction joint with U.P.	1	Colour:Y03 - GIALLO LUCIDO ZOLFO VESPA 75th MIV[Y03] Country:Taiwan version[TN] Colour:Y03 - GIALLO LUCIDO ZOLFO VESPA 75th MIV[Y03] Country:Cina Version[CN] Colour:Y03 - GIALLO LUCIDO ZOLFO VESPA 75th MIV[Y03] Country:Japan version[JP]
3	CM291201	Injector	1	
4	849898	Spring	1	
5	1A013640	Injector support	1	

Group	Engine
Code	01.36
Description	Throttle body - Injector - Induction joint
Service	1



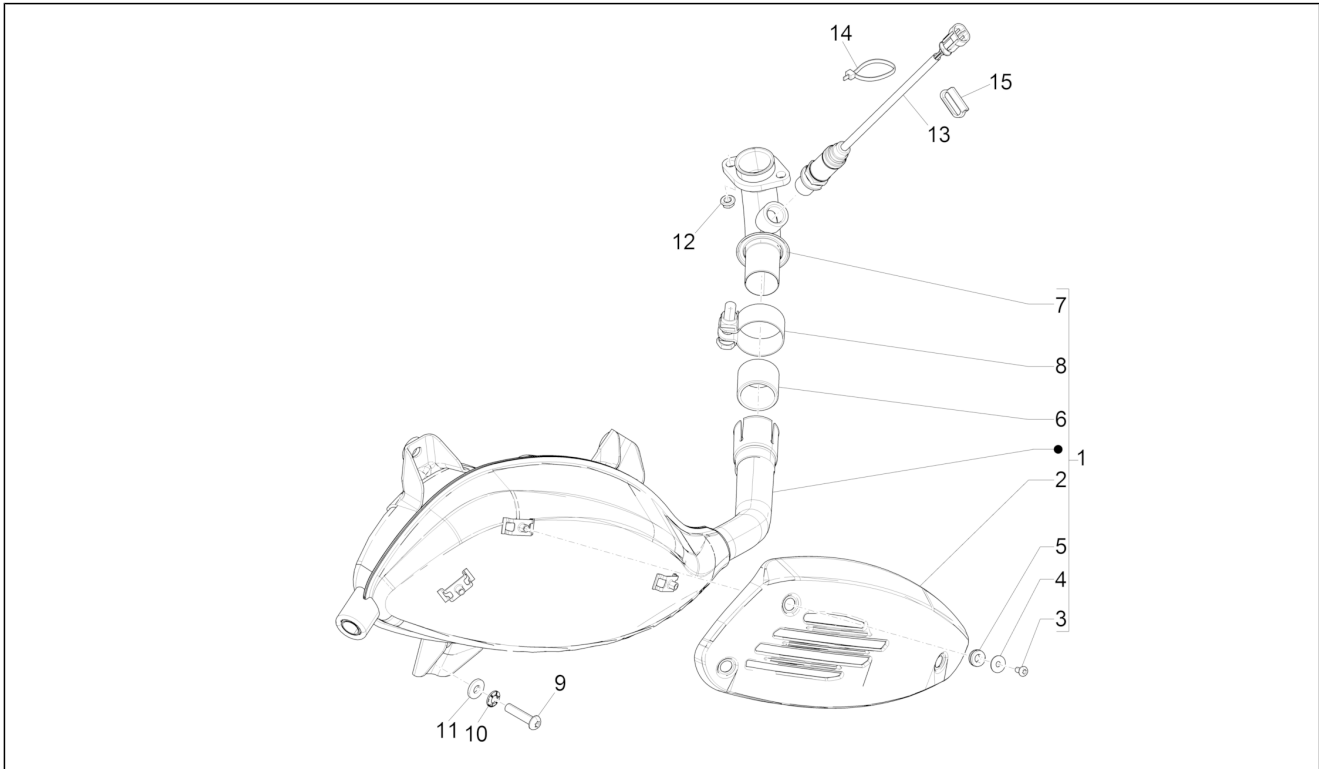
Pos.	Code	Description	Qty	Variants
6	830061	Flanged hexagon screw M5x16	1	
7	018639	Hexagon head screw M6x20	1	
8	1A009942	Induction joint gasket	1	
9	1A018283	Throttle body hose	1	Colour: Y03 - GIALLO LUCIDO ZOLFO VESPA 75th MIV[Y03] Country: Export Version[EXE] Colour: Y03 - GIALLO LUCIDO ZOLFO VESPA 75th MIV[Y03] Country: Vietnam version[VT] Colour: Y03 - GIALLO LUCIDO ZOLFO VESPA 75th MIV[Y03] Country: Export Version[EXE] Colour: Y03 - GIALLO LUCIDO ZOLFO VESPA 75th MIV[Y03] Country: Vietnam version[VT] Colour: Y03 - GIALLO LUCIDO ZOLFO VESPA 75th MIV[Y03] Country: Hong Kong-Singapore [HK-S]
9	1A015944	Throttle body hose	1	Colour: Y03 - GIALLO LUCIDO ZOLFO VESPA 75th MIV[Y03] Country: Taiwan version[TN] Colour: Y03 - GIALLO LUCIDO ZOLFO VESPA 75th MIV[Y03] Country: Cina Version[CN] Colour: Y03 - GIALLO LUCIDO ZOLFO VESPA 75th MIV[Y03] Country: Japan version[JP]
10	614188	Hose clamp	2	

Group	Engine
Code	01.42
Description	Silencer
Service	1



Pos.	Code	Description	Qty	Variants
1	1A0149935	Silencer complete with protection	1	Colour: Y03 - GIALLO LUCIDO ZOLFO VESPA 75th MIV[Y03] Country: Taiwan version[TN] Colour: Y03 - GIALLO LUCIDO ZOLFO VESPA 75th MIV[Y03] Country: Export Version[EXE] Colour: Y03 - GIALLO LUCIDO ZOLFO VESPA 75th MIV[Y03] Country: Cina Version[CN] Colour: Y03 - GIALLO LUCIDO ZOLFO VESPA 75th MIV[Y03] Country: Japan version[JP]
1	1A0139645	Silencer complete with protection	1	Colour: Y03 - GIALLO LUCIDO ZOLFO VESPA 75th MIV[Y03] Country: Export Version[EXE] Colour: Y03 - GIALLO LUCIDO ZOLFO VESPA 75th MIV[Y03] Country: Vietnam version[VT] Colour: Y03 - GIALLO LUCIDO ZOLFO VESPA 75th MIV[Y03] Country: Vietnam version[VT]
1	1A0134745	Silencer complete with protection	1	Colour: Y03 - GIALLO LUCIDO ZOLFO VESPA 75th MIV[Y03] Country: Hong Kong-Singapore [HK-S]
2	1A011990	Protection	1	Colour: Y03 - GIALLO LUCIDO ZOLFO VESPA 75th MIV[Y03] Country: Export Version[EXE] Colour: Y03 - GIALLO LUCIDO ZOLFO VESPA 75th MIV[Y03] Country: Vietnam version[VT] Colour: Y03 - GIALLO LUCIDO ZOLFO VESPA 75th MIV[Y03] Country: Export Version[EXE] Colour: Y03 - GIALLO LUCIDO ZOLFO VESPA 75th MIV[Y03] Country: Cina Version[CN] Colour: Y03 - GIALLO LUCIDO ZOLFO VESPA 75th MIV[Y03] Country: Japan version[JP] Colour: Y03 - GIALLO LUCIDO ZOLFO VESPA 75th MIV[Y03] Country: Vietnam version[VT] Colour: Y03 - GIALLO LUCIDO ZOLFO VESPA 75th MIV[Y03] Country: Hong Kong-Singapore [HK-S]
2	1A0149945	Protection	1	Colour: Y03 - GIALLO LUCIDO ZOLFO VESPA 75th MIV[Y03] Country: Taiwan version[TN]
3	651014	Hex socket screw M5x10	3	
3	842908	screw M5x10	3	
4	844927	Flat washer	3	

Group	Engine
Code	01.42
Description	Silencer
Service	1



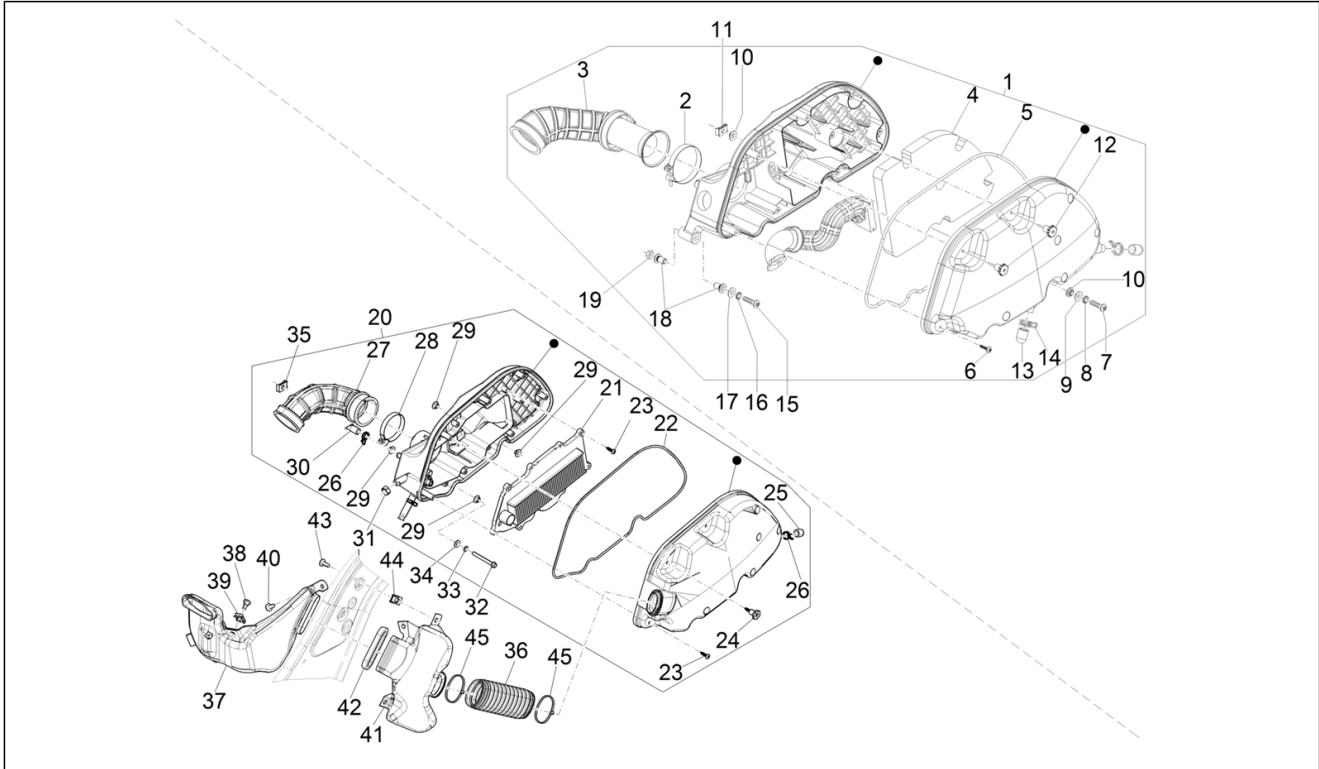
Pos.	Code	Description	Qty	Variants
4	827526	Flat washer	1	
5	841782	Rubber spacer	3	
6	8263885	Graphite bushing	1	
7	1A018760	Exhaust manifold with I.P.	1	
8	8449404	Hose clamp	1	
9	599208	Hex screw M8x30	3	
10	834187	Spring washer 16x8,2x2,2	3	
11	848452	Flat washer 19,3x8,2x2,5	3	
12	436947	Flanged hexagon nut M7x1 H=8	2	
13	584344	Lambda sensor (L. 325 mm)	1	
14	145298	Lock-strap L=180 mm	1	
15	847974	Lambda probe connector support	1	



Vespa GTS 300
 EVGS000EXE Vespa GTS 300 - E3 - E4 - 75° Anniversario
 2021 (APAC)

Chassis prefix: RP8M45717, RP8M45849,
 RP8M45716, RP8M45715, RP8M45716,
 RP8M45717,
 Engine prefix: M45TM, M45RM,
 M45MM, M45RM, M45TM

Group	Engine
Code	01.45
Description	Air filter
Service	1



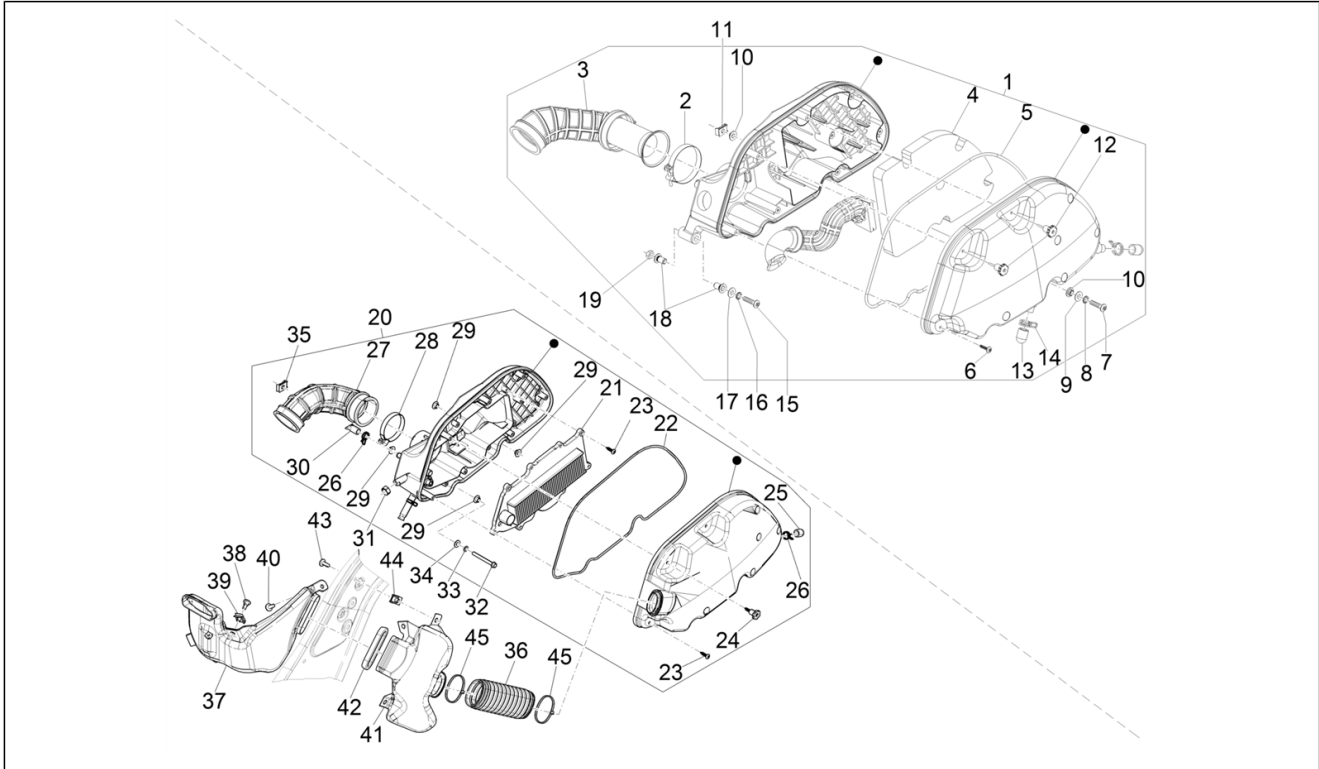
Pos.	Code	Description	Qty	Variants
1	1A011905	Air cleaner case	1	Colour:Y03 - GIALLO LUCIDO ZOLFO VESPA 75th MIV[Y03] Country:Taiwan version[TN] Colour:Y03 - GIALLO LUCIDO ZOLFO VESPA 75th MIV[Y03] Country:Cina Version[CN] Colour:Y03 - GIALLO LUCIDO ZOLFO VESPA 75th MIV[Y03] Country:Japan version[JP]
2	260918	Hose clamp	1	Colour:Y03 - GIALLO LUCIDO ZOLFO VESPA 75th MIV[Y03] Country:Taiwan version[TN] Colour:Y03 - GIALLO LUCIDO ZOLFO VESPA 75th MIV[Y03] Country:Cina Version[CN] Colour:Y03 - GIALLO LUCIDO ZOLFO VESPA 75th MIV[Y03] Country:Japan version[JP]
3	1A011902	Air cleaner sleeve / throttle body	1	Colour:Y03 - GIALLO LUCIDO ZOLFO VESPA 75th MIV[Y03] Country:Taiwan version[TN] Colour:Y03 - GIALLO LUCIDO ZOLFO VESPA 75th MIV[Y03] Country:Cina Version[CN] Colour:Y03 - GIALLO LUCIDO ZOLFO VESPA 75th MIV[Y03] Country:Japan version[JP]
4	8319970P	Air filter PREMIUM	1	Colour:Y03 - GIALLO LUCIDO ZOLFO VESPA 75th MIV[Y03] Country:Taiwan version[TN] Colour:Y03 - GIALLO LUCIDO ZOLFO VESPA 75th MIV[Y03] Country:Cina Version[CN] Colour:Y03 - GIALLO LUCIDO ZOLFO VESPA 75th MIV[Y03] Country:Japan version[JP]
5	831995	Packing	1	Colour:Y03 - GIALLO LUCIDO ZOLFO VESPA 75th MIV[Y03] Country:Taiwan version[TN] Colour:Y03 - GIALLO LUCIDO ZOLFO VESPA 75th MIV[Y03] Country:Cina Version[CN] Colour:Y03 - GIALLO LUCIDO ZOLFO VESPA 75th MIV[Y03] Country:Japan version[JP]
6	258146	Self tapping screw M3x20	6	Colour:Y03 - GIALLO LUCIDO ZOLFO VESPA 75th MIV[Y03] Country:Taiwan version[TN] Colour:Y03 - GIALLO LUCIDO ZOLFO VESPA 75th MIV[Y03] Country:Cina Version[CN] Colour:Y03 - GIALLO LUCIDO ZOLFO VESPA 75th MIV[Y03] Country:Japan version[JP]



Vespa GTS 300
 EVGS000EXE Vespa GTS 300 - E3 - E4 - 75° Anniversario
 2021 (APAC)

Chassis prefix: RP8M45717, RP8M45849,
 RP8M45716, RP8M45715, RP8M45716,
 RP8M45717,
 Engine prefix: M45TM, M45RM,
 M45MM, M45RM, M45TM

Group	Engine
Code	01.45
Description	Air filter
Service	1



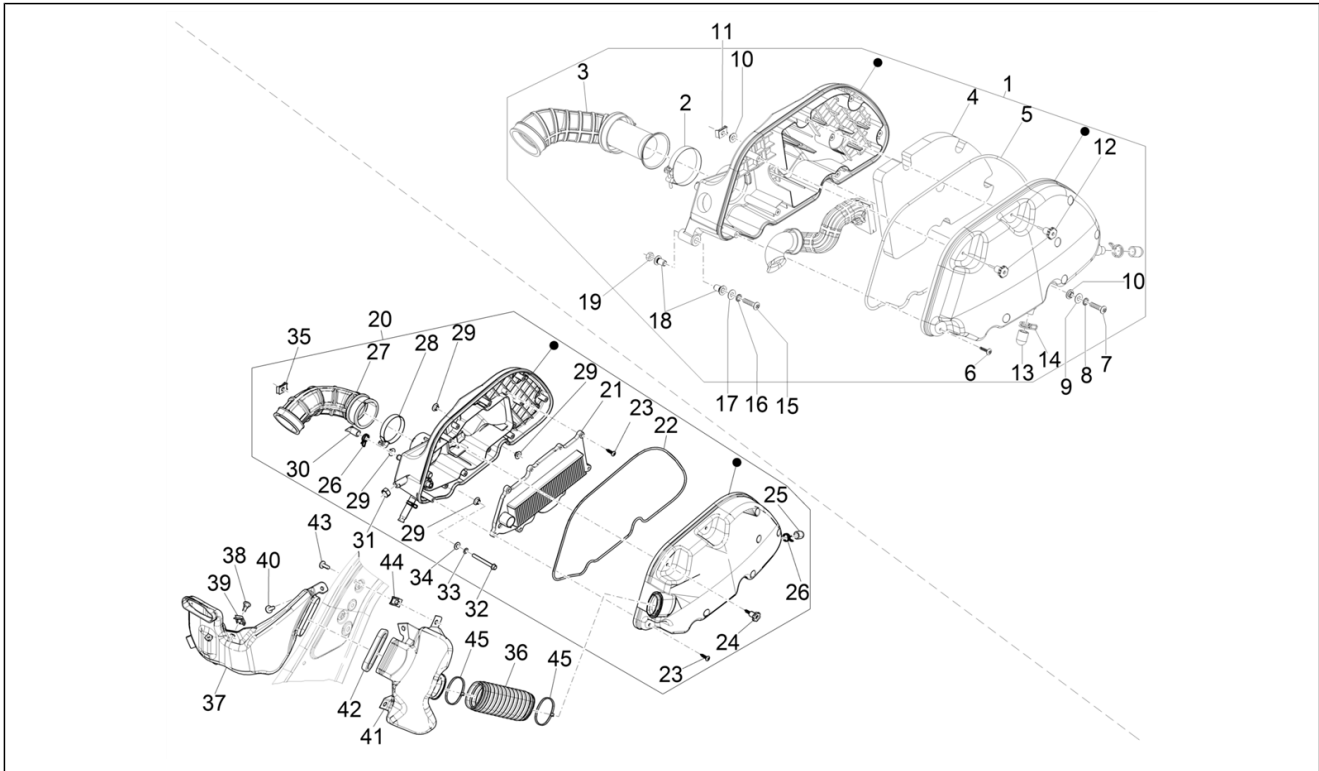
Pos.	Code	Description	Qty	Variants
7	1B000678	Special cap screw M6x55	2	Colour:Y03 - GIALLO LUCIDO ZOLFO VESPA 75th MIV[Y03] Country:Taiwan version[TN] Colour:Y03 - GIALLO LUCIDO ZOLFO VESPA 75th MIV[Y03] Country:Cina Version[CN] Colour:Y03 - GIALLO LUCIDO ZOLFO VESPA 75th MIV[Y03] Country:Japan version[JP]
8	012533	Notched washer 6,6x11x0	2	Colour:Y03 - GIALLO LUCIDO ZOLFO VESPA 75th MIV[Y03] Country:Taiwan version[TN] Colour:Y03 - GIALLO LUCIDO ZOLFO VESPA 75th MIV[Y03] Country:Cina Version[CN] Colour:Y03 - GIALLO LUCIDO ZOLFO VESPA 75th MIV[Y03] Country:Japan version[JP]
9	003056	Flat washer 6,4x12x1	2	Colour:Y03 - GIALLO LUCIDO ZOLFO VESPA 75th MIV[Y03] Country:Taiwan version[TN] Colour:Y03 - GIALLO LUCIDO ZOLFO VESPA 75th MIV[Y03] Country:Cina Version[CN] Colour:Y03 - GIALLO LUCIDO ZOLFO VESPA 75th MIV[Y03] Country:Japan version[JP]
10	830056	Knurled bushing	4	Colour:Y03 - GIALLO LUCIDO ZOLFO VESPA 75th MIV[Y03] Country:Taiwan version[TN] Colour:Y03 - GIALLO LUCIDO ZOLFO VESPA 75th MIV[Y03] Country:Cina Version[CN] Colour:Y03 - GIALLO LUCIDO ZOLFO VESPA 75th MIV[Y03] Country:Japan version[JP]
11	254485	Spring plate M6	2	Colour:Y03 - GIALLO LUCIDO ZOLFO VESPA 75th MIV[Y03] Country:Taiwan version[TN] Colour:Y03 - GIALLO LUCIDO ZOLFO VESPA 75th MIV[Y03] Country:Cina Version[CN] Colour:Y03 - GIALLO LUCIDO ZOLFO VESPA 75th MIV[Y03] Country:Japan version[JP]
12	479132	Air filter closing knob	2	Colour:Y03 - GIALLO LUCIDO ZOLFO VESPA 75th MIV[Y03] Country:Taiwan version[TN] Colour:Y03 - GIALLO LUCIDO ZOLFO VESPA 75th MIV[Y03] Country:Cina Version[CN] Colour:Y03 - GIALLO LUCIDO ZOLFO VESPA 75th MIV[Y03] Country:Japan version[JP]



Vespa GTS 300
 EVGS000EXE Vespa GTS 300 - E3 - E4 - 75° Anniversario
 2021 (APAC)

Chassis prefix: RP8M45717, RP8M45849,
 RP8M45716, RP8M45715, RP8M45716,
 RP8M45717,
 Engine prefix: M45TM, M45RM,
 M45MM, M45RM, M45TM

Group	Engine
Code	01.45
Description	Air filter
Service	1



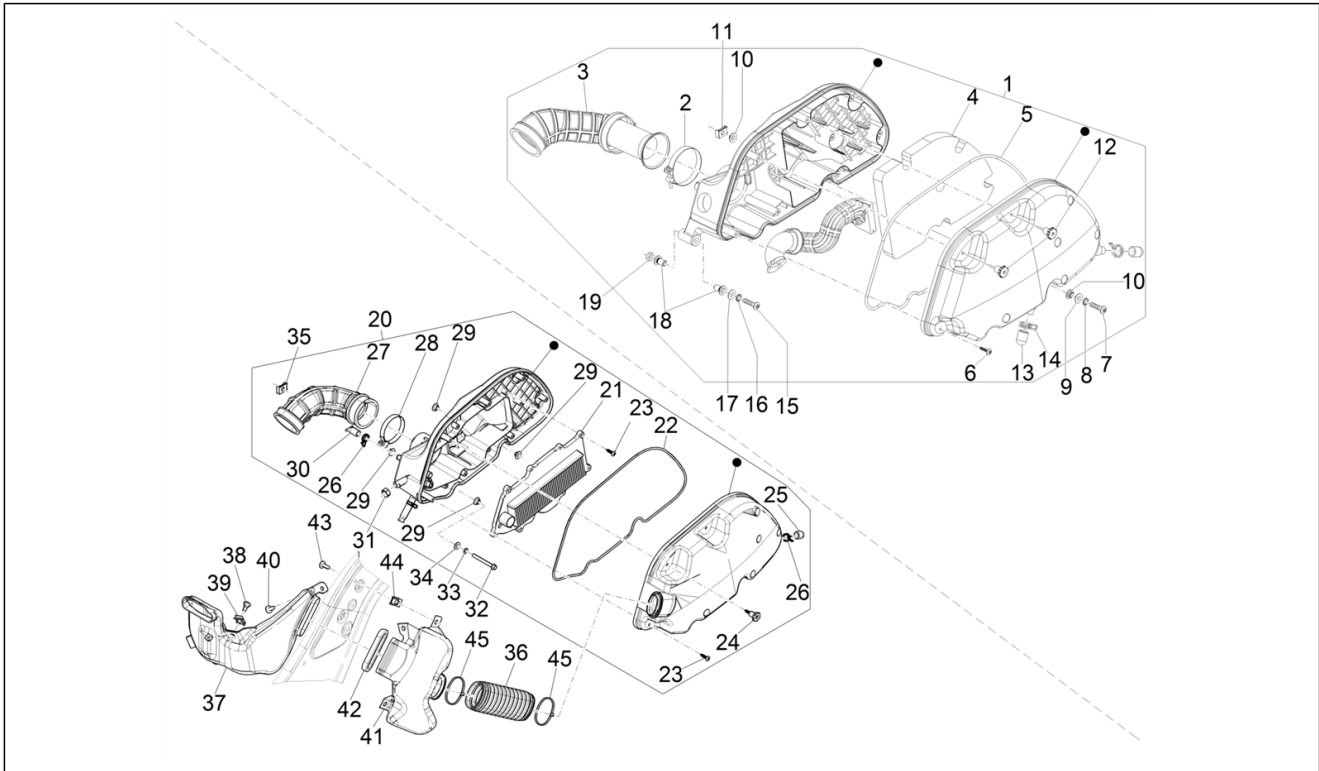
Pos.	Code	Description	Qty	Variants
13	827831	Cap	2	Colour:Y03 - GIALLO LUCIDO ZOLFO VESPA 75th MIV[Y03] Country:Taiwan version[TN] Colour:Y03 - GIALLO LUCIDO ZOLFO VESPA 75th MIV[Y03] Country:Cina Version[CN] Colour:Y03 - GIALLO LUCIDO ZOLFO VESPA 75th MIV[Y03] Country:Japan version[JP]
14	CM002910	Hose clamp	2	Colour:Y03 - GIALLO LUCIDO ZOLFO VESPA 75th MIV[Y03] Country:Taiwan version[TN] Colour:Y03 - GIALLO LUCIDO ZOLFO VESPA 75th MIV[Y03] Country:Cina Version[CN] Colour:Y03 - GIALLO LUCIDO ZOLFO VESPA 75th MIV[Y03] Country:Japan version[JP]
15	1B000678	Special cap screw M6x55	1	Colour:Y03 - GIALLO LUCIDO ZOLFO VESPA 75th MIV[Y03] Country:Cina Version[CN] Colour:Y03 - GIALLO LUCIDO ZOLFO VESPA 75th MIV[Y03] Country:Japan version[JP]
16	012533	Notched washer 6,6x11x0	1	Colour:Y03 - GIALLO LUCIDO ZOLFO VESPA 75th MIV[Y03] Country:Cina Version[CN] Colour:Y03 - GIALLO LUCIDO ZOLFO VESPA 75th MIV[Y03] Country:Japan version[JP]
17	003056	Flat washer 6,4x12x1	1	Colour:Y03 - GIALLO LUCIDO ZOLFO VESPA 75th MIV[Y03] Country:Cina Version[CN] Colour:Y03 - GIALLO LUCIDO ZOLFO VESPA 75th MIV[Y03] Country:Japan version[JP]
18	830057	Bushing	2	Colour:Y03 - GIALLO LUCIDO ZOLFO VESPA 75th MIV[Y03] Country:Cina Version[CN] Colour:Y03 - GIALLO LUCIDO ZOLFO VESPA 75th MIV[Y03] Country:Japan version[JP]
19	288245	Self locking nut M6	1	Colour:Y03 - GIALLO LUCIDO ZOLFO VESPA 75th MIV[Y03] Country:Cina Version[CN] Colour:Y03 - GIALLO LUCIDO ZOLFO VESPA 75th MIV[Y03] Country:Japan version[JP]
20	1A013976	Air cleaner case	1	Colour:Y03 - GIALLO LUCIDO ZOLFO VESPA 75th MIV[Y03] Country:Export Version[EXE] Colour:Y03 - GIALLO LUCIDO ZOLFO VESPA 75th MIV[Y03]



Vespa GTS 300
 EVGS000EXE Vespa GTS 300 - E3 - E4 - 75° Anniversario
 2021 (APAC)

Chassis prefix: RP8M45717, RP8M45849,
 RP8M45716, RP8M45715, RP8M45716,
 RP8M45717,
 Engine prefix: M45TM, M45RM,
 M45MM, M45RM, M45TM

Group	Engine
Code	01.45
Description	Air filter
Service	1



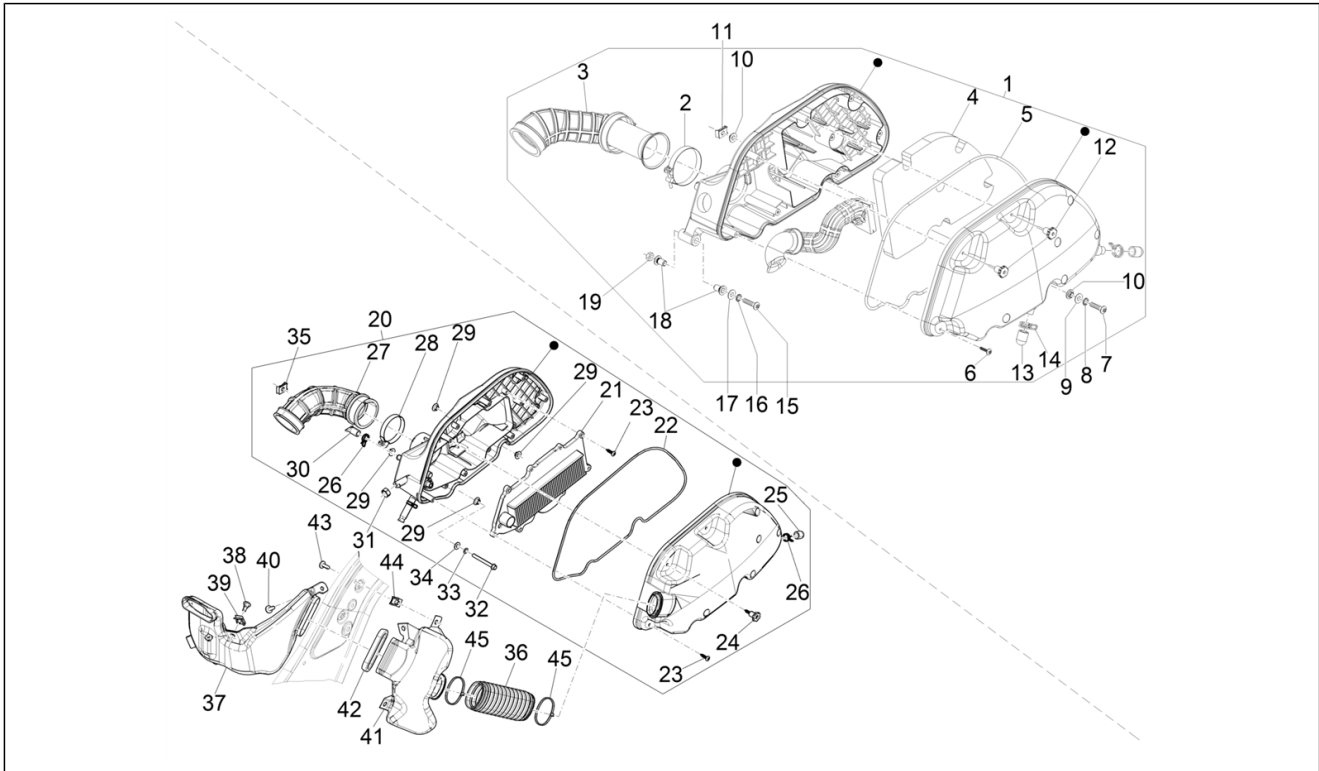
Pos.	Code	Description	Qty	Variants
				Country: Vietnam version[VT] Colour: Y03 - GIALLO LUCIDO ZOLFO VESPA 75th MIV[Y03] Country: Export Version[EXE] Colour: Y03 - GIALLO LUCIDO ZOLFO VESPA 75th MIV[Y03] Country: Vietnam version[VT] Colour: Y03 - GIALLO LUCIDO ZOLFO VESPA 75th MIV[Y03] Country: Hong Kong-Singapore [HK-S]
21	1A007327	Air filter	1	Colour: Y03 - GIALLO LUCIDO ZOLFO VESPA 75th MIV[Y03] Country: Export Version[EXE] Colour: Y03 - GIALLO LUCIDO ZOLFO VESPA 75th MIV[Y03] Country: Vietnam version[VT] Colour: Y03 - GIALLO LUCIDO ZOLFO VESPA 75th MIV[Y03] Country: Export Version[EXE] Colour: Y03 - GIALLO LUCIDO ZOLFO VESPA 75th MIV[Y03] Country: Vietnam version[VT] Colour: Y03 - GIALLO LUCIDO ZOLFO VESPA 75th MIV[Y03] Country: Hong Kong-Singapore [HK-S]
22	1A006644	Gasket	1	Colour: Y03 - GIALLO LUCIDO ZOLFO VESPA 75th MIV[Y03] Country: Export Version[EXE] Colour: Y03 - GIALLO LUCIDO ZOLFO VESPA 75th MIV[Y03] Country: Vietnam version[VT] Colour: Y03 - GIALLO LUCIDO ZOLFO VESPA 75th MIV[Y03] Country: Export Version[EXE] Colour: Y03 - GIALLO LUCIDO ZOLFO VESPA 75th MIV[Y03] Country: Vietnam version[VT] Colour: Y03 - GIALLO LUCIDO ZOLFO VESPA 75th MIV[Y03] Country: Hong Kong-Singapore [HK-S]
23	1A001106	Self tapping screw	14	Colour: Y03 - GIALLO LUCIDO ZOLFO VESPA 75th MIV[Y03] Country: Export Version[EXE] Colour: Y03 - GIALLO LUCIDO ZOLFO VESPA 75th MIV[Y03] Country: Vietnam version[VT] Colour: Y03 - GIALLO LUCIDO ZOLFO VESPA 75th MIV[Y03] Country: Export Version[EXE] Colour: Y03 - GIALLO LUCIDO ZOLFO VESPA 75th MIV[Y03] Country: Vietnam version[VT] Colour: Y03 - GIALLO LUCIDO ZOLFO VESPA 75th MIV[Y03] Country: Hong Kong-Singapore [HK-S]



Vespa GTS 300
 EVGS000EXE Vespa GTS 300 - E3 - E4 - 75° Anniversario
 2021 (APAC)

Chassis prefix: RP8M45717, RP8M45849,
 RP8M45716, RP8M45715, RP8M45716,
 RP8M45717,
 Engine prefix: M45TM, M45RM,
 M45MM, M45RM, M45TM

Group	Engine
Code	01.45
Description	Air filter
Service	1



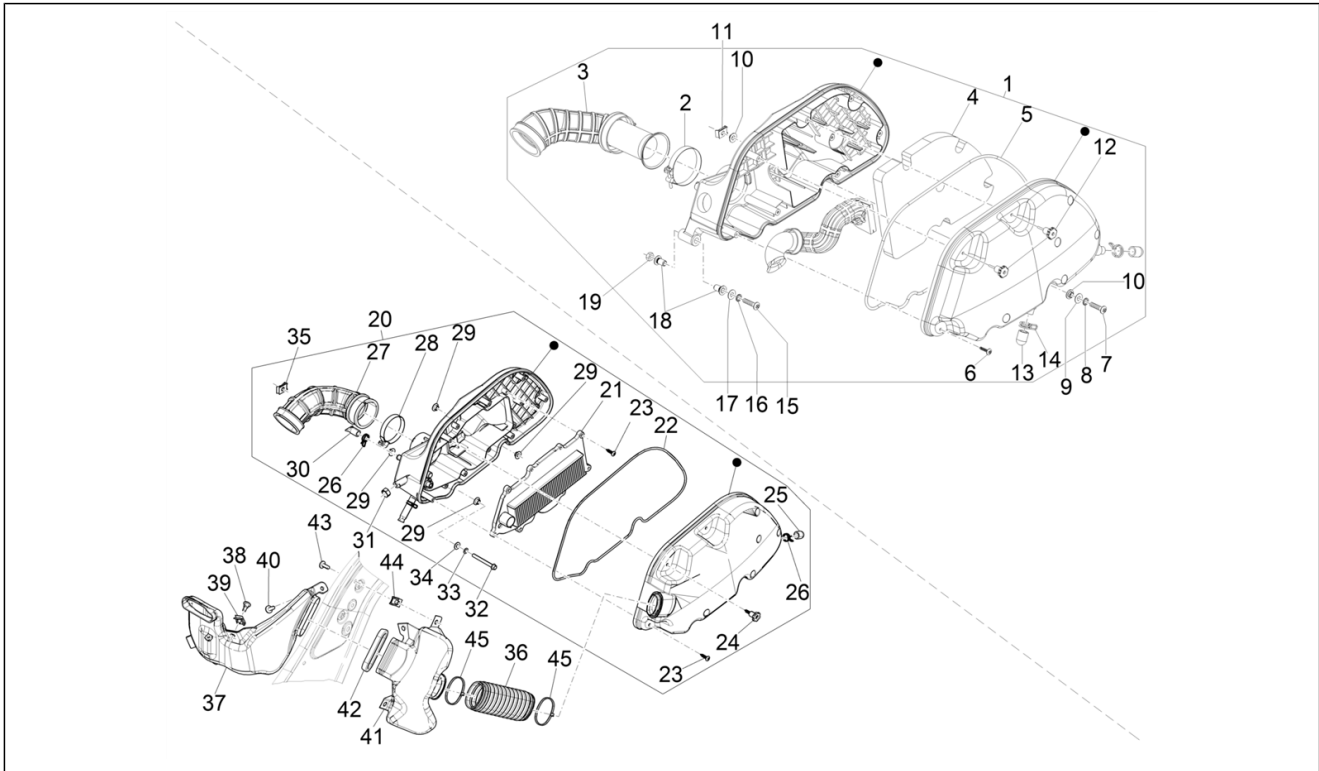
Pos.	Code	Description	Qty	Variants
24	1A006715	Air filter closing knob	2	Colour: Y03 - GIALLO LUCIDO ZOLFO VESPA 75th MIV[Y03] Country: Export Version[EXE] Colour: Y03 - GIALLO LUCIDO ZOLFO VESPA 75th MIV[Y03] Country: Vietnam version[VT] Colour: Y03 - GIALLO LUCIDO ZOLFO VESPA 75th MIV[Y03] Country: Export Version[EXE] Colour: Y03 - GIALLO LUCIDO ZOLFO VESPA 75th MIV[Y03] Country: Vietnam version[VT] Colour: Y03 - GIALLO LUCIDO ZOLFO VESPA 75th MIV[Y03] Country: Hong Kong-Singapore [HK-S]
25	827831	Cap	1	Colour: Y03 - GIALLO LUCIDO ZOLFO VESPA 75th MIV[Y03] Country: Export Version[EXE] Colour: Y03 - GIALLO LUCIDO ZOLFO VESPA 75th MIV[Y03] Country: Vietnam version[VT] Colour: Y03 - GIALLO LUCIDO ZOLFO VESPA 75th MIV[Y03] Country: Export Version[EXE] Colour: Y03 - GIALLO LUCIDO ZOLFO VESPA 75th MIV[Y03] Country: Vietnam version[VT] Colour: Y03 - GIALLO LUCIDO ZOLFO VESPA 75th MIV[Y03] Country: Hong Kong-Singapore [HK-S]
26	614188	Hose clamp	2	Colour: Y03 - GIALLO LUCIDO ZOLFO VESPA 75th MIV[Y03] Country: Export Version[EXE] Colour: Y03 - GIALLO LUCIDO ZOLFO VESPA 75th MIV[Y03] Country: Vietnam version[VT] Colour: Y03 - GIALLO LUCIDO ZOLFO VESPA 75th MIV[Y03] Country: Export Version[EXE] Colour: Y03 - GIALLO LUCIDO ZOLFO VESPA 75th MIV[Y03] Country: Vietnam version[VT] Colour: Y03 - GIALLO LUCIDO ZOLFO VESPA 75th MIV[Y03] Country: Hong Kong-Singapore [HK-S]
27	1A013977	Air cleaner sleeve / throttle body	1	Colour: Y03 - GIALLO LUCIDO ZOLFO VESPA 75th MIV[Y03] Country: Export Version[EXE] Colour: Y03 - GIALLO LUCIDO ZOLFO VESPA 75th MIV[Y03] Country: Vietnam version[VT] Colour: Y03 - GIALLO LUCIDO ZOLFO VESPA 75th MIV[Y03] Country: Export Version[EXE]



Vespa GTS 300
 EVGS000EXE Vespa GTS 300 - E3 - E4 - 75° Anniversario
 2021 (APAC)

Chassis prefix: RP8M45717, RP8M45849,
 RP8M45716, RP8M45715, RP8M45716,
 RP8M45717,
 Engine prefix: M45TM, M45RM,
 M45MM, M45RM, M45TM

Group	Engine
Code	01.45
Description	Air filter
Service	1



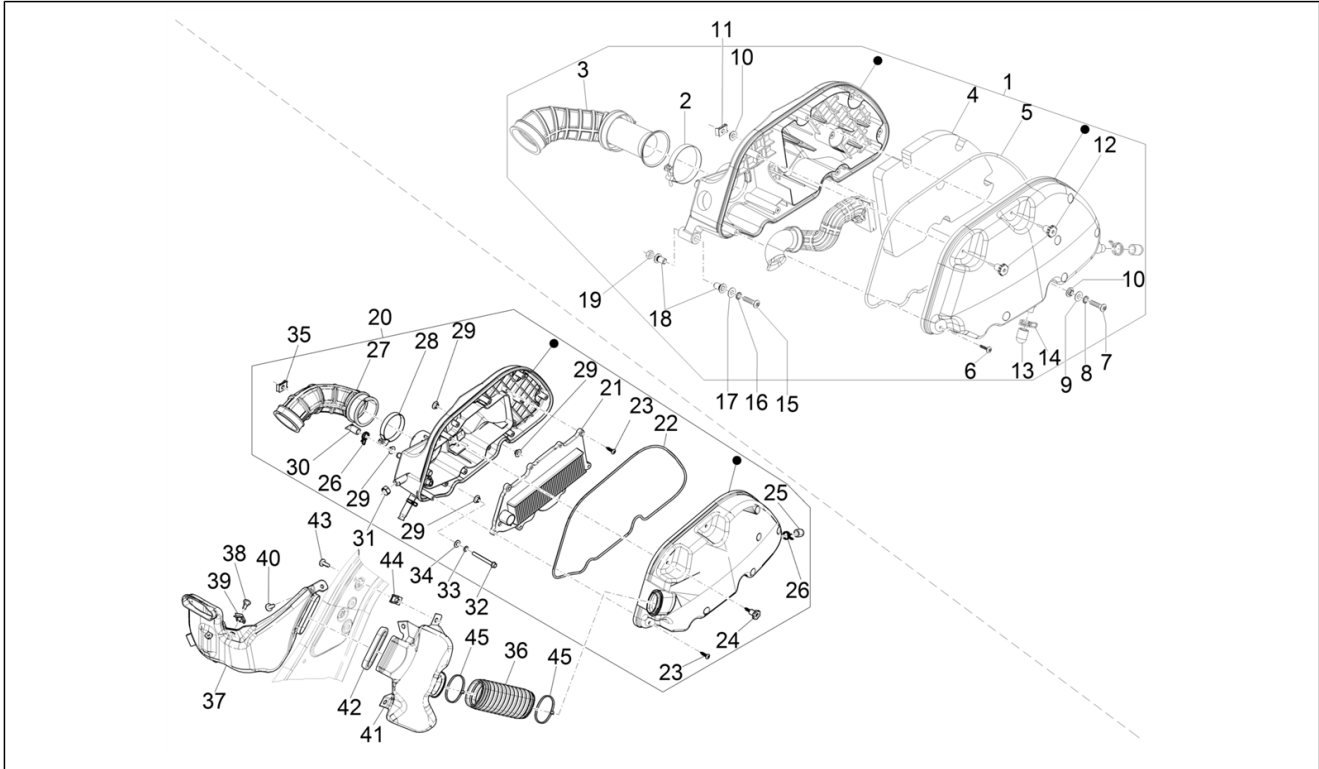
Pos.	Code	Description	Qty	Variants
				Colour: Y03 - GIALLO LUCIDO ZOLFO VESPA 75th MIV[Y03] Country: Vietnam version[VT] Colour: Y03 - GIALLO LUCIDO ZOLFO VESPA 75th MIV[Y03] Country: Hong Kong-Singapore [HK-S]
28	CM002908	Hose clamp	1	Colour: Y03 - GIALLO LUCIDO ZOLFO VESPA 75th MIV[Y03] Country: Export Version[EXE] Colour: Y03 - GIALLO LUCIDO ZOLFO VESPA 75th MIV[Y03] Country: Vietnam version[VT] Colour: Y03 - GIALLO LUCIDO ZOLFO VESPA 75th MIV[Y03] Country: Export Version[EXE] Colour: Y03 - GIALLO LUCIDO ZOLFO VESPA 75th MIV[Y03] Country: Vietnam version[VT] Colour: Y03 - GIALLO LUCIDO ZOLFO VESPA 75th MIV[Y03] Country: Hong Kong-Singapore [HK-S]
29	1A006247	Knurled bushing	4	Colour: Y03 - GIALLO LUCIDO ZOLFO VESPA 75th MIV[Y03] Country: Export Version[EXE] Colour: Y03 - GIALLO LUCIDO ZOLFO VESPA 75th MIV[Y03] Country: Vietnam version[VT] Colour: Y03 - GIALLO LUCIDO ZOLFO VESPA 75th MIV[Y03] Country: Export Version[EXE] Colour: Y03 - GIALLO LUCIDO ZOLFO VESPA 75th MIV[Y03] Country: Vietnam version[VT] Colour: Y03 - GIALLO LUCIDO ZOLFO VESPA 75th MIV[Y03] Country: Hong Kong-Singapore [HK-S]
30	B015752	Cap	1	Colour: Y03 - GIALLO LUCIDO ZOLFO VESPA 75th MIV[Y03] Country: Export Version[EXE] Colour: Y03 - GIALLO LUCIDO ZOLFO VESPA 75th MIV[Y03] Country: Vietnam version[VT] Colour: Y03 - GIALLO LUCIDO ZOLFO VESPA 75th MIV[Y03] Country: Export Version[EXE] Colour: Y03 - GIALLO LUCIDO ZOLFO VESPA 75th MIV[Y03] Country: Vietnam version[VT] Colour: Y03 - GIALLO LUCIDO ZOLFO VESPA 75th MIV[Y03] Country: Hong Kong-Singapore [HK-S]
31	CM001904	Hose clamp	1	Colour: Y03 - GIALLO LUCIDO ZOLFO VESPA 75th MIV[Y03] Country: Export Version[EXE]



Vespa GTS 300
EVGS000EXE Vespa GTS 300 - E3 - E4 - 75° Anniversario
2021 (APAC)

Chassis prefix: RP8M45717, RP8M45849,
RP8M45716, RP8M45715, RP8M45716,
RP8M45717,
Engine prefix: M45TM, M45RM,
M45MM, M45RM, M45TM

Group	Engine
Code	01.45
Description	Air filter
Service	1



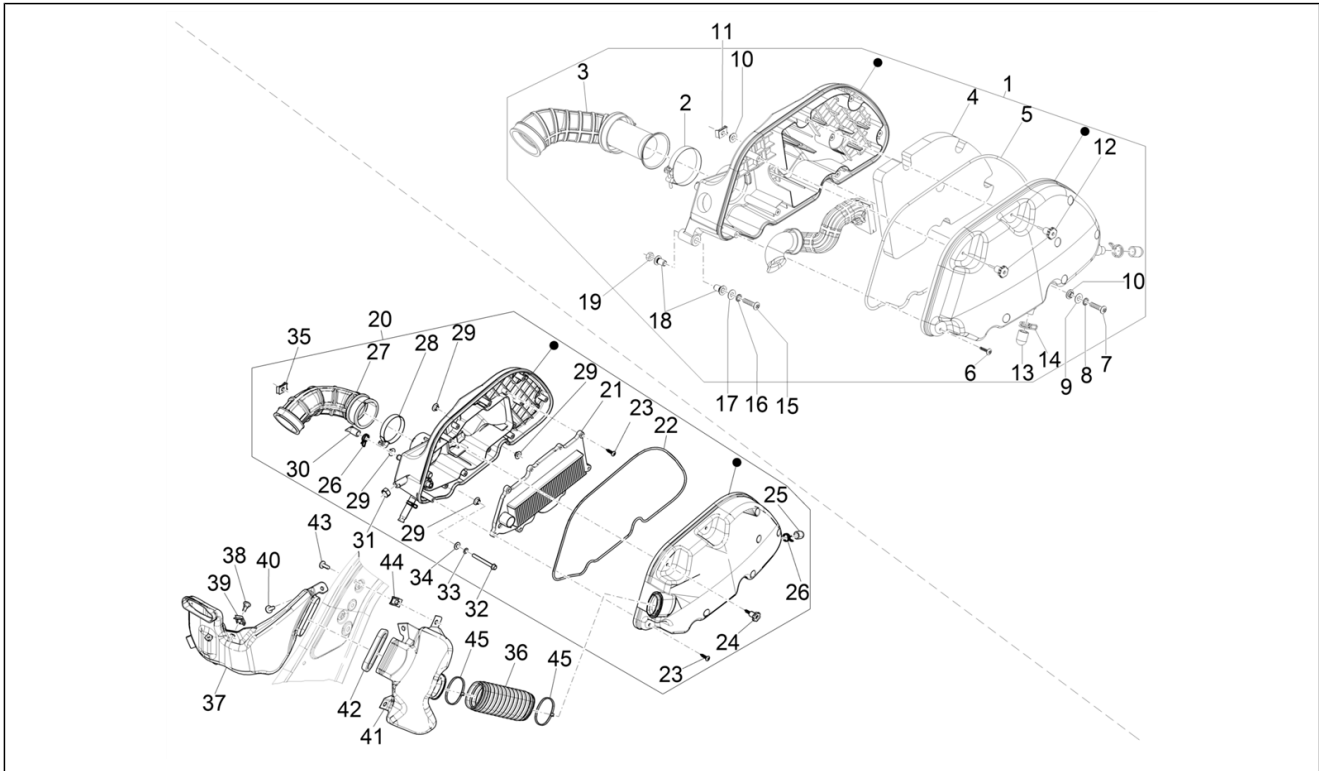
Pos.	Code	Description	Qty	Variants
				Colour: Y03 - GIALLO LUCIDO ZOLFO VESPA 75th MIV[Y03] Country: Vietnam version[VT] Colour: Y03 - GIALLO LUCIDO ZOLFO VESPA 75th MIV[Y03] Country: Export Version[EXE] Colour: Y03 - GIALLO LUCIDO ZOLFO VESPA 75th MIV[Y03] Country: Vietnam version[VT] Colour: Y03 - GIALLO LUCIDO ZOLFO VESPA 75th MIV[Y03] Country: Hong Kong-Singapore [HK-S]
32	1B000678	Special cap screw M6x55	2	Colour: Y03 - GIALLO LUCIDO ZOLFO VESPA 75th MIV[Y03] Country: Export Version[EXE] Colour: Y03 - GIALLO LUCIDO ZOLFO VESPA 75th MIV[Y03] Country: Vietnam version[VT] Colour: Y03 - GIALLO LUCIDO ZOLFO VESPA 75th MIV[Y03] Country: Export Version[EXE] Colour: Y03 - GIALLO LUCIDO ZOLFO VESPA 75th MIV[Y03] Country: Vietnam version[VT] Colour: Y03 - GIALLO LUCIDO ZOLFO VESPA 75th MIV[Y03] Country: Hong Kong-Singapore [HK-S]
33	012533	Notched washer 6,6x11x0	2	Colour: Y03 - GIALLO LUCIDO ZOLFO VESPA 75th MIV[Y03] Country: Export Version[EXE] Colour: Y03 - GIALLO LUCIDO ZOLFO VESPA 75th MIV[Y03] Country: Vietnam version[VT] Colour: Y03 - GIALLO LUCIDO ZOLFO VESPA 75th MIV[Y03] Country: Export Version[EXE] Colour: Y03 - GIALLO LUCIDO ZOLFO VESPA 75th MIV[Y03] Country: Vietnam version[VT] Colour: Y03 - GIALLO LUCIDO ZOLFO VESPA 75th MIV[Y03] Country: Hong Kong-Singapore [HK-S]
34	003056	Flat washer 6,4x12x1	2	Colour: Y03 - GIALLO LUCIDO ZOLFO VESPA 75th MIV[Y03] Country: Export Version[EXE] Colour: Y03 - GIALLO LUCIDO ZOLFO VESPA 75th MIV[Y03] Country: Vietnam version[VT] Colour: Y03 - GIALLO LUCIDO ZOLFO VESPA 75th MIV[Y03] Country: Export Version[EXE] Colour: Y03 - GIALLO LUCIDO ZOLFO VESPA 75th MIV[Y03] Country: Vietnam version[VT] Colour: Y03 - GIALLO LUCIDO ZOLFO VESPA 75th MIV[Y03]



Vespa GTS 300
 EVGS000EXE Vespa GTS 300 - E3 - E4 - 75° Anniversario
 2021 (APAC)

Chassis prefix: RP8M45717, RP8M45849,
 RP8M45716, RP8M45715, RP8M45716,
 RP8M45717,
 Engine prefix: M45TM, M45RM,
 M45MM, M45RM, M45TM

Group	Engine
Code	01.45
Description	Air filter
Service	1



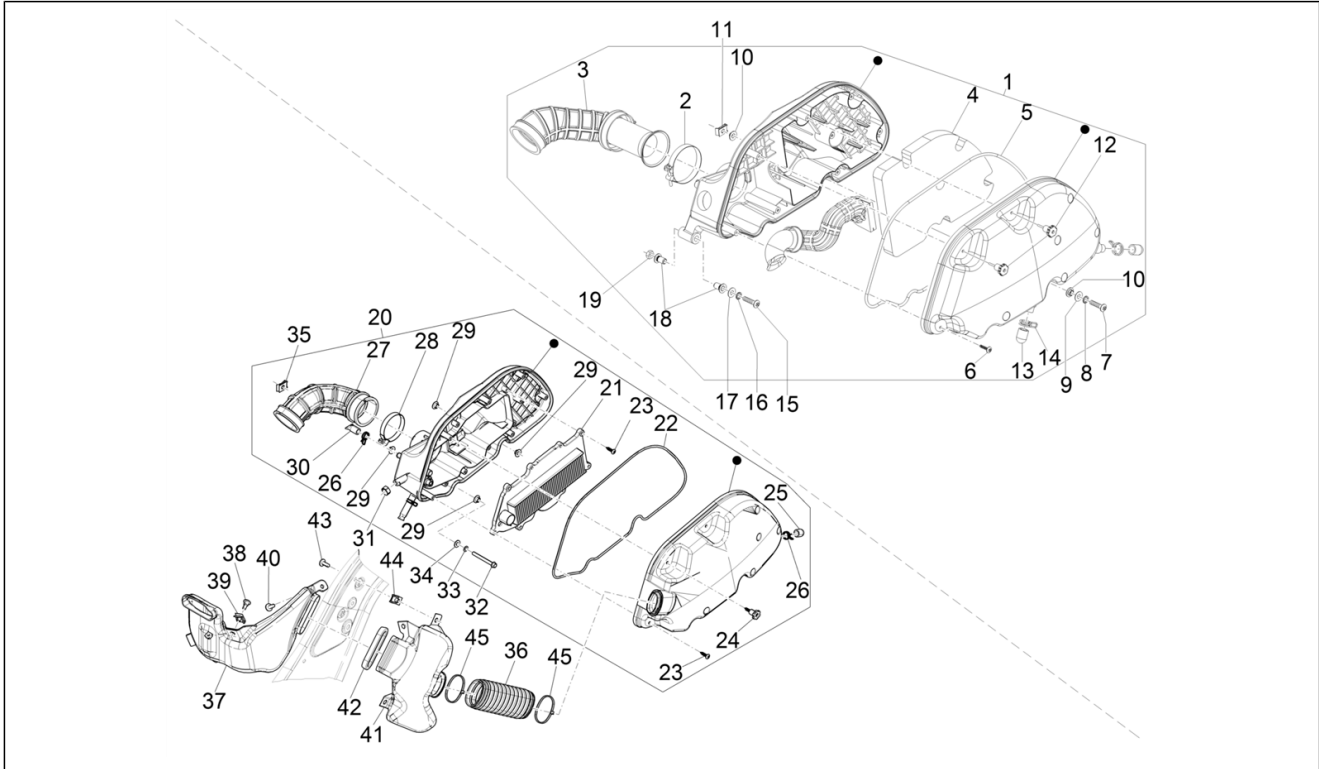
Pos.	Code	Description	Qty	Variants
				Country: Hong Kong-Singapore [HK-S]
35	254485	Spring plate M6	2	Colour: Y03 - GIALLO LUCIDO ZOLFO VESPA 75th MIV[Y03] Country: Export Version[EXE] Colour: Y03 - GIALLO LUCIDO ZOLFO VESPA 75th MIV[Y03] Country: Vietnam version[VT] Colour: Y03 - GIALLO LUCIDO ZOLFO VESPA 75th MIV[Y03] Country: Export Version[EXE] Colour: Y03 - GIALLO LUCIDO ZOLFO VESPA 75th MIV[Y03] Country: Vietnam version[VT] Colour: Y03 - GIALLO LUCIDO ZOLFO VESPA 75th MIV[Y03] Country: Hong Kong-Singapore [HK-S]
36	672660	Intake hose	1	Colour: Y03 - GIALLO LUCIDO ZOLFO VESPA 75th MIV[Y03] Country: Export Version[EXE] Colour: Y03 - GIALLO LUCIDO ZOLFO VESPA 75th MIV[Y03] Country: Vietnam version[VT] Colour: Y03 - GIALLO LUCIDO ZOLFO VESPA 75th MIV[Y03] Country: Export Version[EXE] Colour: Y03 - GIALLO LUCIDO ZOLFO VESPA 75th MIV[Y03] Country: Vietnam version[VT] Colour: Y03 - GIALLO LUCIDO ZOLFO VESPA 75th MIV[Y03] Country: Hong Kong-Singapore [HK-S]
37	1B004610	Duction pipe	1	Colour: Y03 - GIALLO LUCIDO ZOLFO VESPA 75th MIV[Y03] Country: Export Version[EXE] Colour: Y03 - GIALLO LUCIDO ZOLFO VESPA 75th MIV[Y03] Country: Vietnam version[VT] Colour: Y03 - GIALLO LUCIDO ZOLFO VESPA 75th MIV[Y03] Country: Export Version[EXE] Colour: Y03 - GIALLO LUCIDO ZOLFO VESPA 75th MIV[Y03] Country: Vietnam version[VT] Colour: Y03 - GIALLO LUCIDO ZOLFO VESPA 75th MIV[Y03] Country: Hong Kong-Singapore [HK-S]
38	CM179301	Torx head cylinder head screw M6x16	1	Colour: Y03 - GIALLO LUCIDO ZOLFO VESPA 75th MIV[Y03] Country: Export Version[EXE] Colour: Y03 - GIALLO LUCIDO ZOLFO VESPA 75th MIV[Y03] Country: Vietnam version[VT] Colour: Y03 - GIALLO LUCIDO ZOLFO VESPA 75th MIV[Y03]



Vespa GTS 300
 EVGS000EXE Vespa GTS 300 - E3 - E4 - 75° Anniversario
 2021 (APAC)

Chassis prefix: RP8M45717, RP8M45849,
 RP8M45716, RP8M45715, RP8M45716,
 RP8M45717,
 Engine prefix: M45TM, M45RM,
 M45MM, M45RM, M45TM

Group	Engine
Code	01.45
Description	Air filter
Service	1



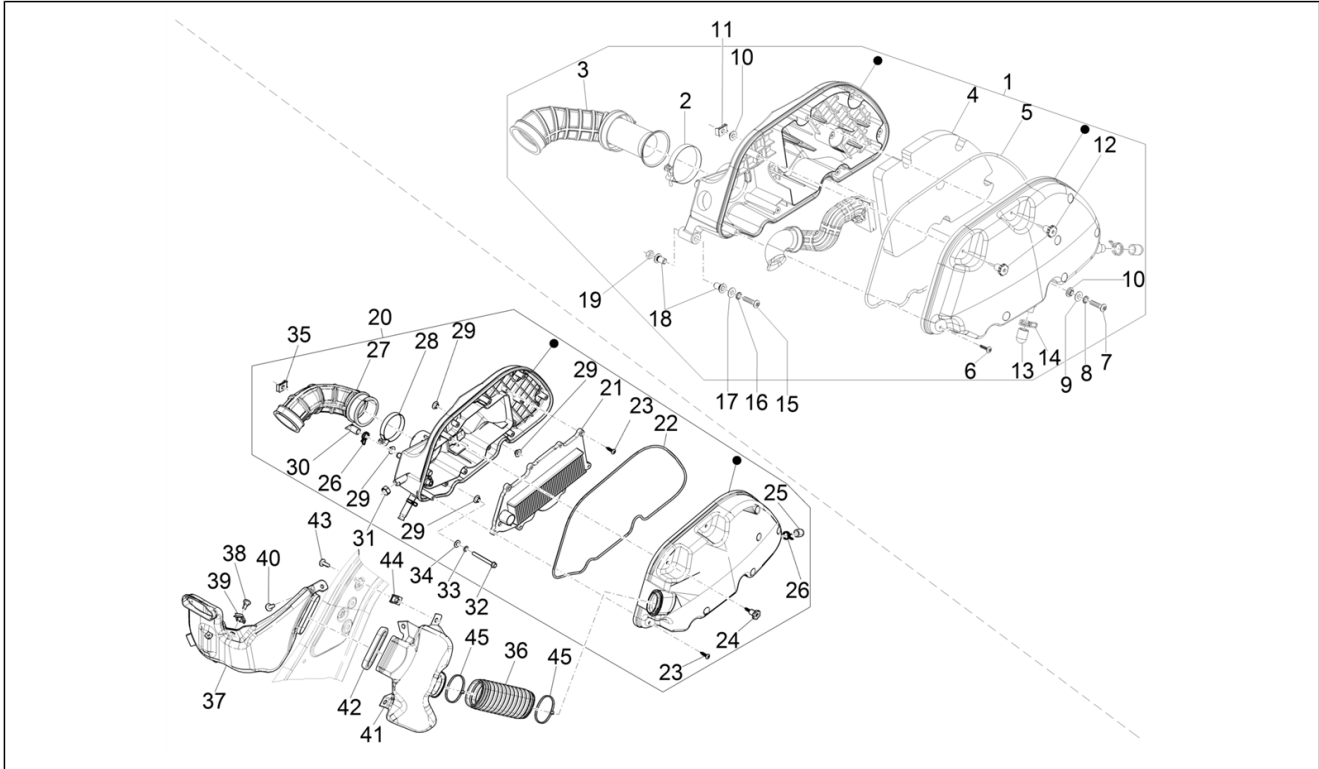
Pos.	Code	Description	Qty	Variants
				Country: Export Version[EXE] Colour: Y03 - GIALLO LUCIDO ZOLFO VESPA 75th MIV[Y03] Country: Vietnam version[VT] Colour: Y03 - GIALLO LUCIDO ZOLFO VESPA 75th MIV[Y03] Country: Hong Kong-Singapore [HK-S]
39	254485	Spring plate M6	2	Colour: Y03 - GIALLO LUCIDO ZOLFO VESPA 75th MIV[Y03] Country: Export Version[EXE] Colour: Y03 - GIALLO LUCIDO ZOLFO VESPA 75th MIV[Y03] Country: Vietnam version[VT] Colour: Y03 - GIALLO LUCIDO ZOLFO VESPA 75th MIV[Y03] Country: Export Version[EXE] Colour: Y03 - GIALLO LUCIDO ZOLFO VESPA 75th MIV[Y03] Country: Vietnam version[VT] Colour: Y03 - GIALLO LUCIDO ZOLFO VESPA 75th MIV[Y03] Country: Hong Kong-Singapore [HK-S]
40	CM179202	Torx head cylinder head screw	1	Colour: Y03 - GIALLO LUCIDO ZOLFO VESPA 75th MIV[Y03] Country: Export Version[EXE] Colour: Y03 - GIALLO LUCIDO ZOLFO VESPA 75th MIV[Y03] Country: Vietnam version[VT] Colour: Y03 - GIALLO LUCIDO ZOLFO VESPA 75th MIV[Y03] Country: Export Version[EXE] Colour: Y03 - GIALLO LUCIDO ZOLFO VESPA 75th MIV[Y03] Country: Vietnam version[VT] Colour: Y03 - GIALLO LUCIDO ZOLFO VESPA 75th MIV[Y03] Country: Hong Kong-Singapore [HK-S]
41	1B004609	Intake chamber	1	Colour: Y03 - GIALLO LUCIDO ZOLFO VESPA 75th MIV[Y03] Country: Export Version[EXE] Colour: Y03 - GIALLO LUCIDO ZOLFO VESPA 75th MIV[Y03] Country: Vietnam version[VT] Colour: Y03 - GIALLO LUCIDO ZOLFO VESPA 75th MIV[Y03] Country: Export Version[EXE] Colour: Y03 - GIALLO LUCIDO ZOLFO VESPA 75th MIV[Y03] Country: Vietnam version[VT] Colour: Y03 - GIALLO LUCIDO ZOLFO VESPA 75th MIV[Y03] Country: Hong Kong-Singapore [HK-S]
42	675421	Gasket	1	Colour: Y03 - GIALLO LUCIDO ZOLFO VESPA 75th MIV[Y03]



Vespa GTS 300
 EVGS000EXE Vespa GTS 300 - E3 - E4 - 75° Anniversario
 2021 (APAC)

Chassis prefix: RP8M45717, RP8M45849,
 RP8M45716, RP8M45715, RP8M45716,
 RP8M45717,
 Engine prefix: M45TM, M45RM,
 M45MM, M45RM, M45TM

Group	Engine
Code	01.45
Description	Air filter
Service	1



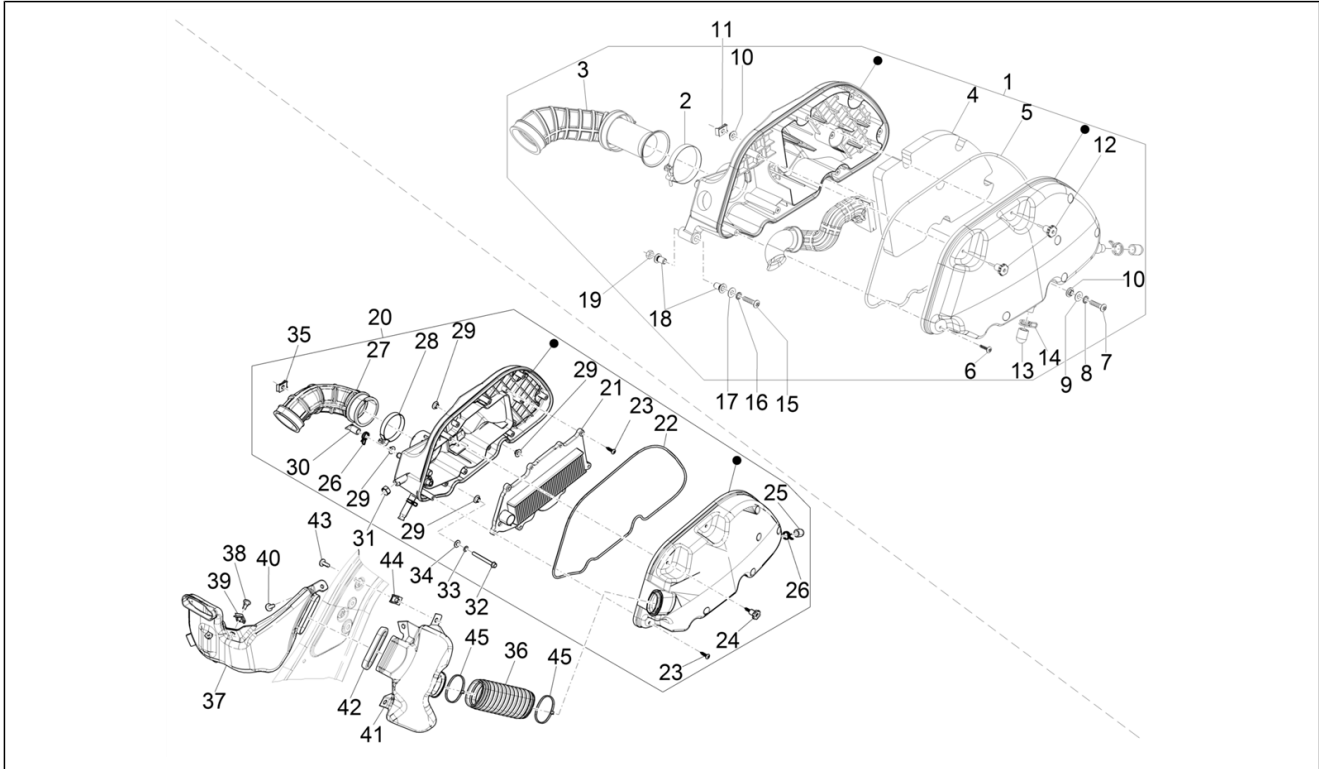
Pos.	Code	Description	Qty	Variants
				Country: Export Version[EXE] Colour: Y03 - GIALLO LUCIDO ZOLFO VESPA 75th MIV[Y03] Country: Vietnam version[VT] Colour: Y03 - GIALLO LUCIDO ZOLFO VESPA 75th MIV[Y03] Country: Export Version[EXE] Colour: Y03 - GIALLO LUCIDO ZOLFO VESPA 75th MIV[Y03] Country: Vietnam version[VT] Colour: Y03 - GIALLO LUCIDO ZOLFO VESPA 75th MIV[Y03] Country: Hong Kong-Singapore [HK-S]
43	CM179301	Torx head cylinder head screw M6x16	2	Colour: Y03 - GIALLO LUCIDO ZOLFO VESPA 75th MIV[Y03] Country: Export Version[EXE] Colour: Y03 - GIALLO LUCIDO ZOLFO VESPA 75th MIV[Y03] Country: Vietnam version[VT] Colour: Y03 - GIALLO LUCIDO ZOLFO VESPA 75th MIV[Y03] Country: Export Version[EXE] Colour: Y03 - GIALLO LUCIDO ZOLFO VESPA 75th MIV[Y03] Country: Vietnam version[VT] Colour: Y03 - GIALLO LUCIDO ZOLFO VESPA 75th MIV[Y03] Country: Hong Kong-Singapore [HK-S]
44	254485	Spring plate M6	2	Colour: Y03 - GIALLO LUCIDO ZOLFO VESPA 75th MIV[Y03] Country: Export Version[EXE] Colour: Y03 - GIALLO LUCIDO ZOLFO VESPA 75th MIV[Y03] Country: Vietnam version[VT] Colour: Y03 - GIALLO LUCIDO ZOLFO VESPA 75th MIV[Y03] Country: Export Version[EXE] Colour: Y03 - GIALLO LUCIDO ZOLFO VESPA 75th MIV[Y03] Country: Vietnam version[VT] Colour: Y03 - GIALLO LUCIDO ZOLFO VESPA 75th MIV[Y03] Country: Hong Kong-Singapore [HK-S]
45	257134	Lock-strap L=277 mm	2	Colour: Y03 - GIALLO LUCIDO ZOLFO VESPA 75th MIV[Y03] Country: Export Version[EXE] Colour: Y03 - GIALLO LUCIDO ZOLFO VESPA 75th MIV[Y03] Country: Vietnam version[VT] Colour: Y03 - GIALLO LUCIDO ZOLFO VESPA 75th MIV[Y03] Country: Export Version[EXE] Colour: Y03 - GIALLO LUCIDO ZOLFO VESPA 75th MIV[Y03] Country: Vietnam version[VT]



Vespa GTS 300
 EVGS000EXE Vespa GTS 300 - E3 - E4 - 75° Anniversario
 2021 (APAC)

Chassis prefix: RP8M45717, RP8M45849,
 RP8M45716, RP8M45715, RP8M45716,
 RP8M45717,
 Engine prefix: M45TM, M45RM,
 M45MM, M45RM, M45TM

Group	Engine
Code	01.45
Description	Air filter
Service	1



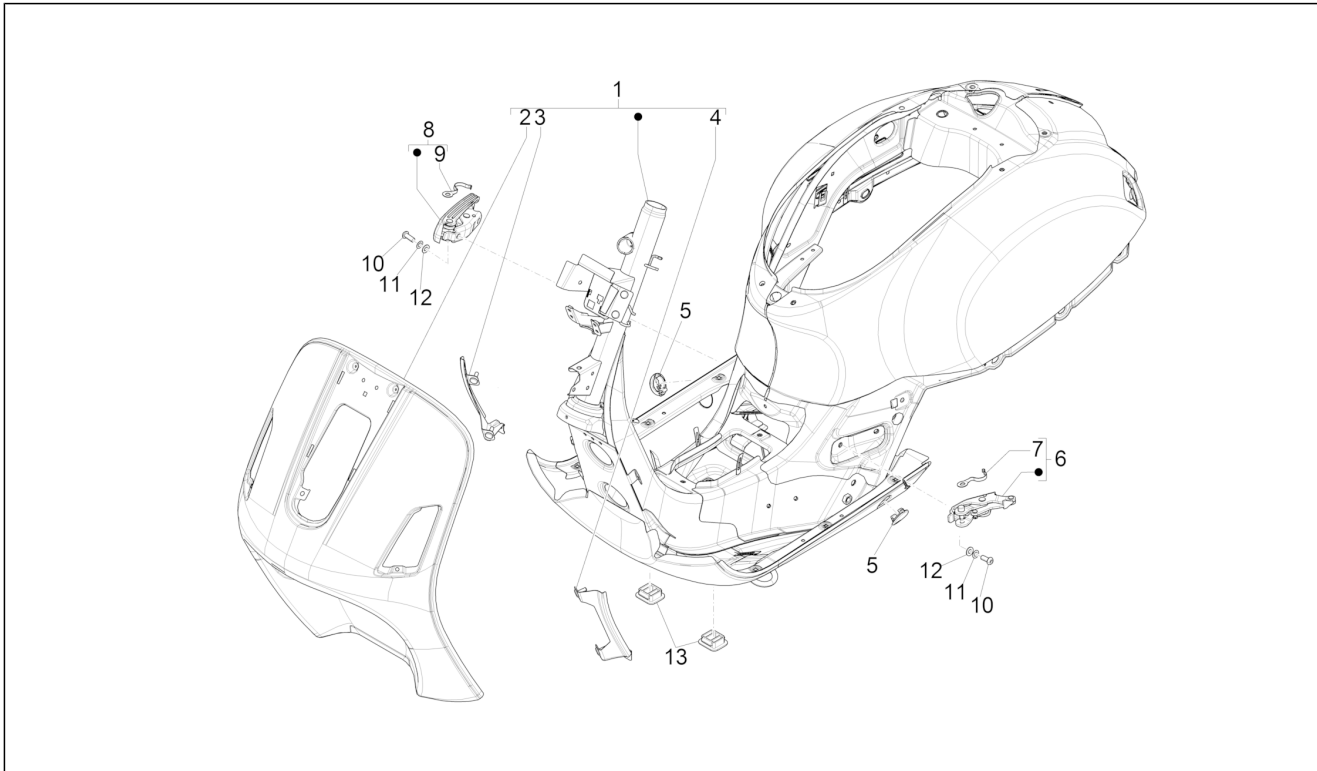
Pos.	Code	Description	Qty	Variants
				Colour: Y03 - GIALLO LUCIDO ZOLFO VESPA 75th MIV[Y03] Country: Hong Kong-Singapore [HK-S]



Vespa GTS 300
EVGS000EXE Vespa GTS 300 - E3 - E4 - 75° Anniversario
2021 (APAC)

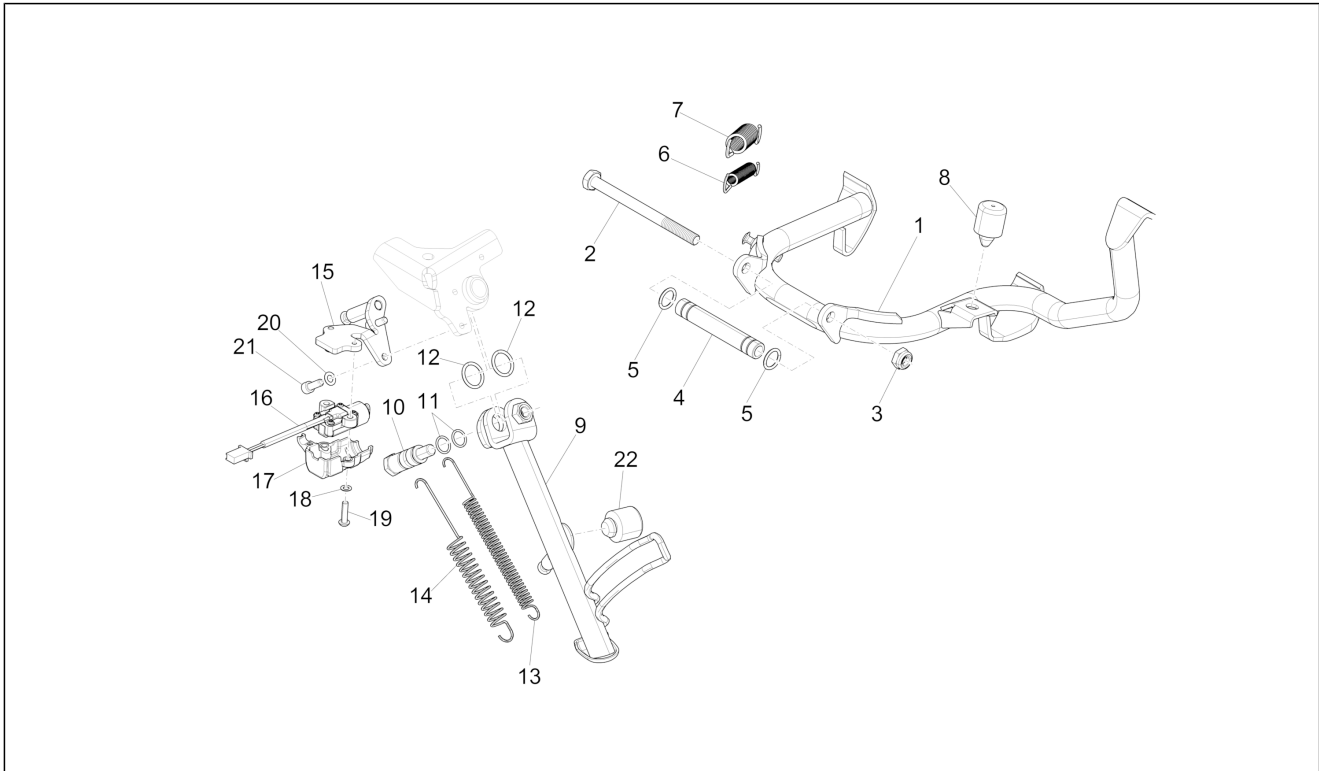
Chassis prefix: RP8M45717, RP8M45849,
RP8M45716, RP8M45715, RP8M45716,
RP8M45717,
Engine prefix: M45TM, M45RM,
M45MM, M45RM, M45TM

Group	Frame - Plastic parts - Coachwork
Code	02.01
Description	Frame/bodywork
Service	1



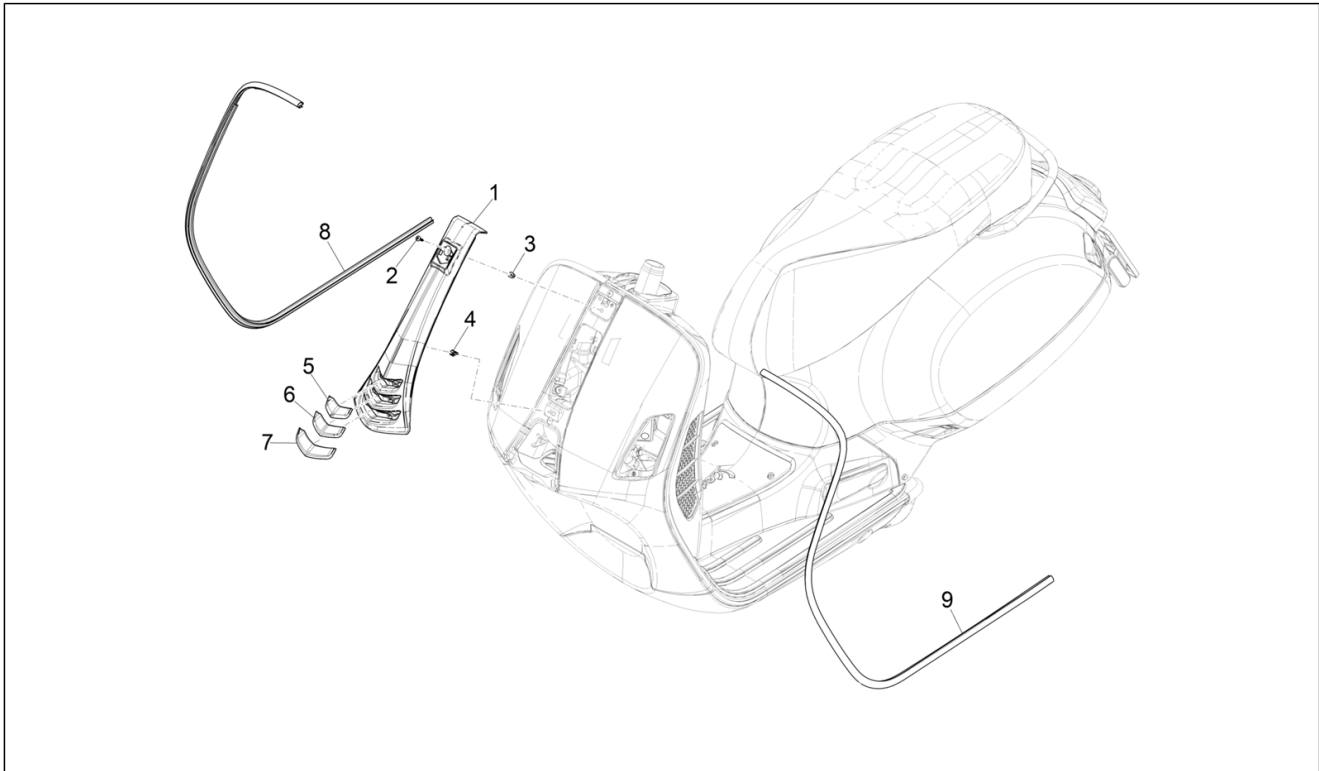
Pos.	Code	Description	Qty	Variants
1	1B006947000Y03	Painted body with u.p.	1	Colour:Y03 - GIALLO LUCIDO ZOLFO VESPA 75th MIV[Y03] Country:Export Version[EXE] Colour:Y03 - GIALLO LUCIDO ZOLFO VESPA 75th MIV[Y03] Country:Vietnam version[VT] Colour:Y03 - GIALLO LUCIDO ZOLFO VESPA 75th MIV[Y03] Country:Taiwan version[TN] Colour:Y03 - GIALLO LUCIDO ZOLFO VESPA 75th MIV[Y03] Country:Export Version[EXE] Colour:Y03 - GIALLO LUCIDO ZOLFO VESPA 75th MIV[Y03] Country:Cina Version[CN] Colour:Y03 - GIALLO LUCIDO ZOLFO VESPA 75th MIV[Y03] Country:Japan version[JP] Colour:Y03 - GIALLO LUCIDO ZOLFO VESPA 75th MIV[Y03] Country:Vietnam version[VT] Colour:Y03 - GIALLO LUCIDO ZOLFO VESPA 75th MIV[Y03] Country:Hong Kong-Singapore [HK-S]
2	1B0033315	Front shield	1	
3	577398	Attack bracket	1	
4	577397	Attack bracket	1	
5	577405000C	Spoiler cover	2	
5	577405000C	Spoiler cover	2	
6	57326R	Complete left footrest	1	
7	620395	Spring	1	
8	57327R	Complete right footrest	1	
9	620395	Spring	1	
10	975855	screw	4	
11	709047	Spring washer	4	
12	828961	Flat washer 8,2x17x2,5	4	
13	299557	Cover	2	

Group	Frame - Plastic parts - Coachwork
Code	02.25
Description	Stand/s
Service	1



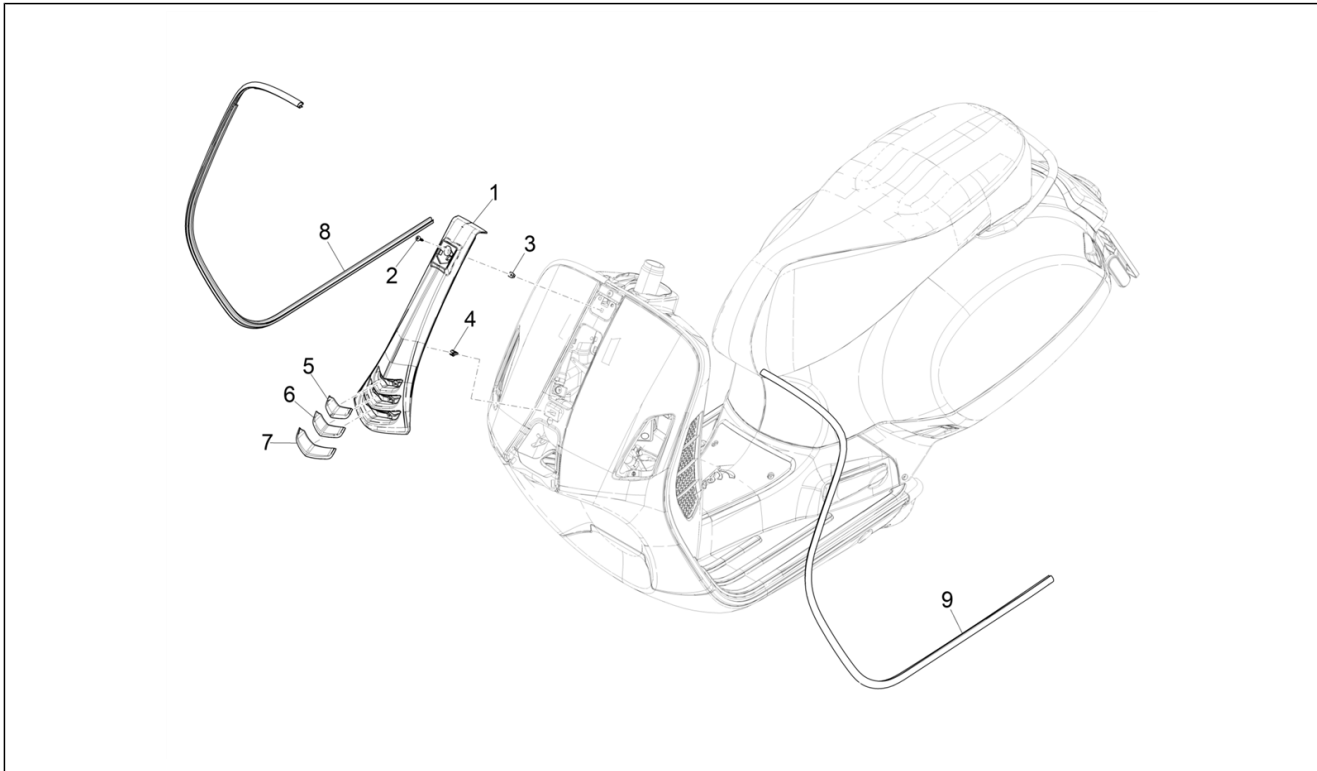
Pos.	Code	Description	Qty	Variants
1	1C003936	Centre stand with U.P.	1	
2	668187	Hex screw	1	
3	002440	Self locking nut M10-6H (CH17)	1	
4	1C001867	Spacer	1	
5	273754	O-ring	2	
6	582850	Internal lateral stand spring	1	
7	582851	Lateral stand spring	1	
8	1C002702	Pad	1	
9	1C003398	Side Stand with i.p.	1	
10	1C003706	Stand fixing screw	1	
11	434947	O-ring 12,42x1	2	
12	191189	Gasket	2	
13	599561	Spring	1	
14	295789	Spring	1	
15	1C000368	Support bracket sensor	1	
16	1D0019355	Button for side stand	1	
17	1C000518	Guard	1	
18	016343	Washer	2	
19	B016808	Covex head screw with torx M5x20	2	
20	006976	Spring washer 12x6,4x0,5	2	
21	1C003707	Countersunk cylindrical hex head screw M6x16	1	
22	967351	Pad	1	

Group	Frame - Plastic parts - Coachwork
Code	02.26
Description	Front shield
Service	1



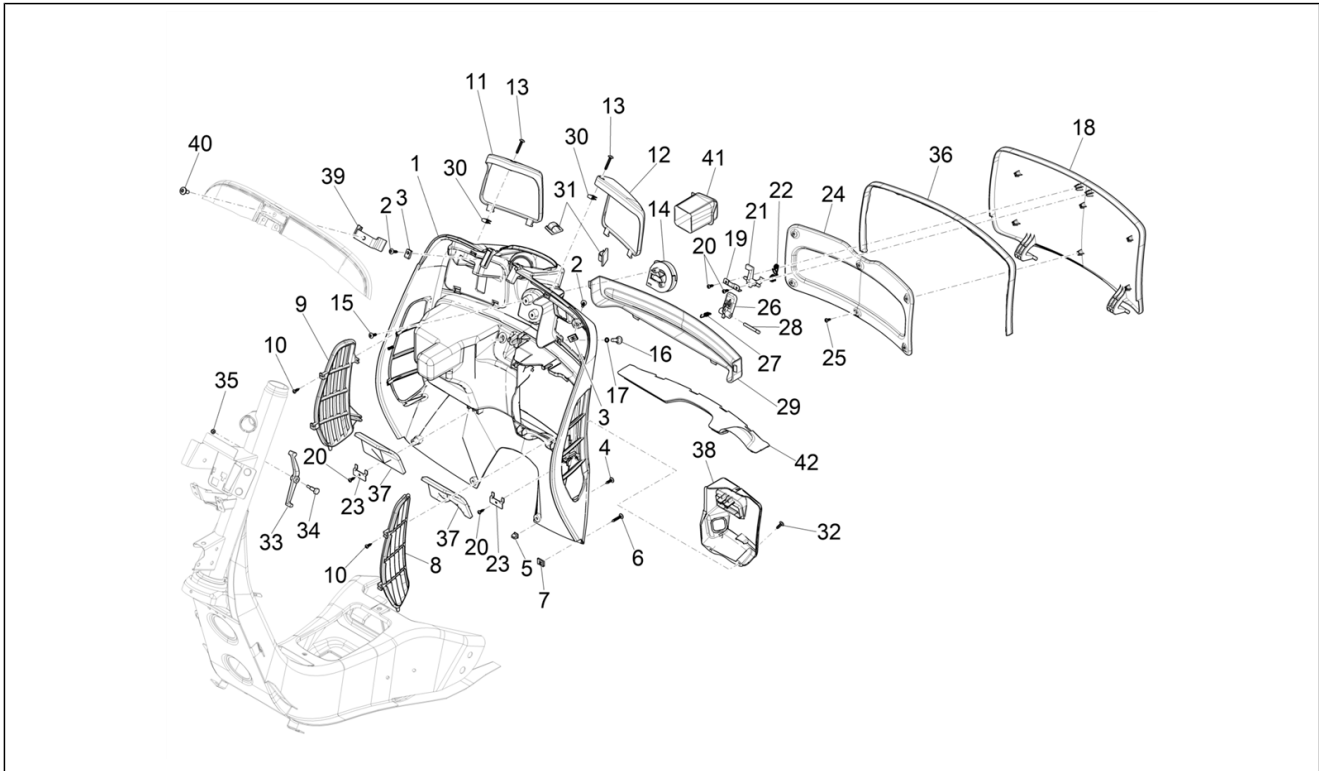
Pos.	Code	Description	Qty	Variants
1	1B006684000Y04	Painted steering cover	1	Colour: Y03 - GIALLO LUCIDO ZOLFO VESPA 75th MIV[Y03] Country: Export Version[EXE] Colour: Y03 - GIALLO LUCIDO ZOLFO VESPA 75th MIV[Y03] Country: Vietnam version[VT] Colour: Y03 - GIALLO LUCIDO ZOLFO VESPA 75th MIV[Y03] Country: Taiwan version[TN] Colour: Y03 - GIALLO LUCIDO ZOLFO VESPA 75th MIV[Y03] Country: Export Version[EXE] Colour: Y03 - GIALLO LUCIDO ZOLFO VESPA 75th MIV[Y03] Country: Cina Version[CN] Colour: Y03 - GIALLO LUCIDO ZOLFO VESPA 75th MIV[Y03] Country: Japan version[JP] Colour: Y03 - GIALLO LUCIDO ZOLFO VESPA 75th MIV[Y03] Country: Vietnam version[VT] Colour: Y03 - GIALLO LUCIDO ZOLFO VESPA 75th MIV[Y03] Country: Hong Kong-Singapore [HK-S]
1	1B0066844	Steering cover	1	
2	CM179101	Self-tapping screw	1	
3	199190	Expansion plug	1	
4	D9004468091	Gripper clip	3	
5	1B005775000K1	Upper emblem	1	Colour: Y03 - GIALLO LUCIDO ZOLFO VESPA 75th MIV[Y03] Country: Export Version[EXE] Colour: Y03 - GIALLO LUCIDO ZOLFO VESPA 75th MIV[Y03] Country: Vietnam version[VT] Colour: Y03 - GIALLO LUCIDO ZOLFO VESPA 75th MIV[Y03] Country: Taiwan version[TN] Colour: Y03 - GIALLO LUCIDO ZOLFO VESPA 75th MIV[Y03] Country: Export Version[EXE] Colour: Y03 - GIALLO LUCIDO ZOLFO VESPA 75th MIV[Y03] Country: Cina Version[CN] Colour: Y03 - GIALLO LUCIDO ZOLFO VESPA 75th MIV[Y03] Country: Japan version[JP] Colour: Y03 - GIALLO LUCIDO ZOLFO VESPA 75th MIV[Y03] Country: Vietnam version[VT] Colour: Y03 - GIALLO LUCIDO ZOLFO VESPA 75th MIV[Y03] Country: Hong Kong-Singapore [HK-S]

Group	Frame - Plastic parts - Coachwork
Code	02.26
Description	Front shield
Service	1



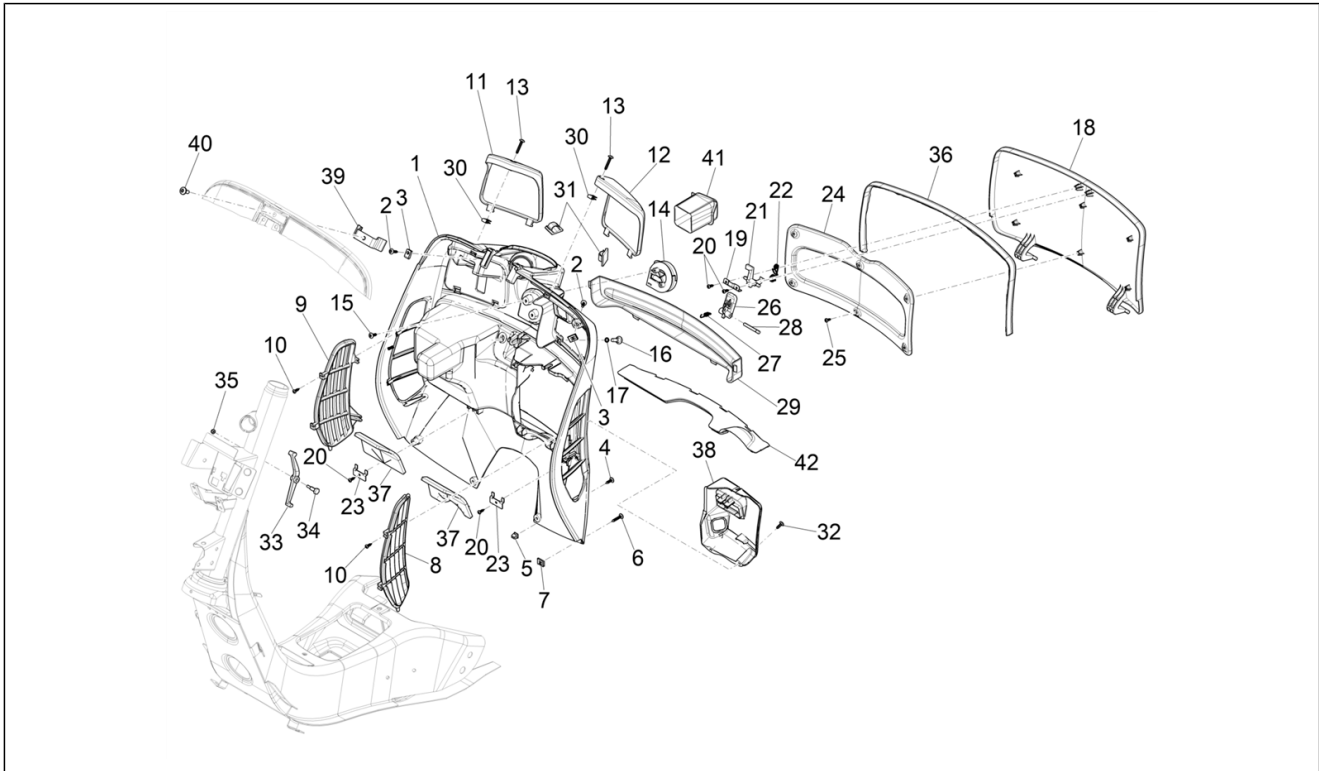
Pos.	Code	Description	Qty	Variants
6	1B005776000K1	Intermediate decoration	1	Colour: Y03 - GIALLO LUCIDO ZOLFO VESPA 75th MIV[Y03] Country: Export Version[EXE] Colour: Y03 - GIALLO LUCIDO ZOLFO VESPA 75th MIV[Y03] Country: Vietnam version[VT] Colour: Y03 - GIALLO LUCIDO ZOLFO VESPA 75th MIV[Y03] Country: Taiwan version[TN] Colour: Y03 - GIALLO LUCIDO ZOLFO VESPA 75th MIV[Y03] Country: Export Version[EXE] Colour: Y03 - GIALLO LUCIDO ZOLFO VESPA 75th MIV[Y03] Country: Cina Version[CN] Colour: Y03 - GIALLO LUCIDO ZOLFO VESPA 75th MIV[Y03] Country: Japan version[JP] Colour: Y03 - GIALLO LUCIDO ZOLFO VESPA 75th MIV[Y03] Country: Vietnam version[VT] Colour: Y03 - GIALLO LUCIDO ZOLFO VESPA 75th MIV[Y03] Country: Hong Kong-Singapore [HK-S]
7	1B005777000K1	Lower emblem	1	Colour: Y03 - GIALLO LUCIDO ZOLFO VESPA 75th MIV[Y03] Country: Export Version[EXE] Colour: Y03 - GIALLO LUCIDO ZOLFO VESPA 75th MIV[Y03] Country: Vietnam version[VT] Colour: Y03 - GIALLO LUCIDO ZOLFO VESPA 75th MIV[Y03] Country: Taiwan version[TN] Colour: Y03 - GIALLO LUCIDO ZOLFO VESPA 75th MIV[Y03] Country: Export Version[EXE] Colour: Y03 - GIALLO LUCIDO ZOLFO VESPA 75th MIV[Y03] Country: Cina Version[CN] Colour: Y03 - GIALLO LUCIDO ZOLFO VESPA 75th MIV[Y03] Country: Japan version[JP] Colour: Y03 - GIALLO LUCIDO ZOLFO VESPA 75th MIV[Y03] Country: Vietnam version[VT] Colour: Y03 - GIALLO LUCIDO ZOLFO VESPA 75th MIV[Y03] Country: Hong Kong-Singapore [HK-S]
8	1B003380	Right-hand shield edge	1	
9	1B003379	Left-hand shield edge	1	

Group	Frame - Plastic parts - Coachwork
Code	02.30
Description	Front glove-box - Knee-guard panel
Service	1



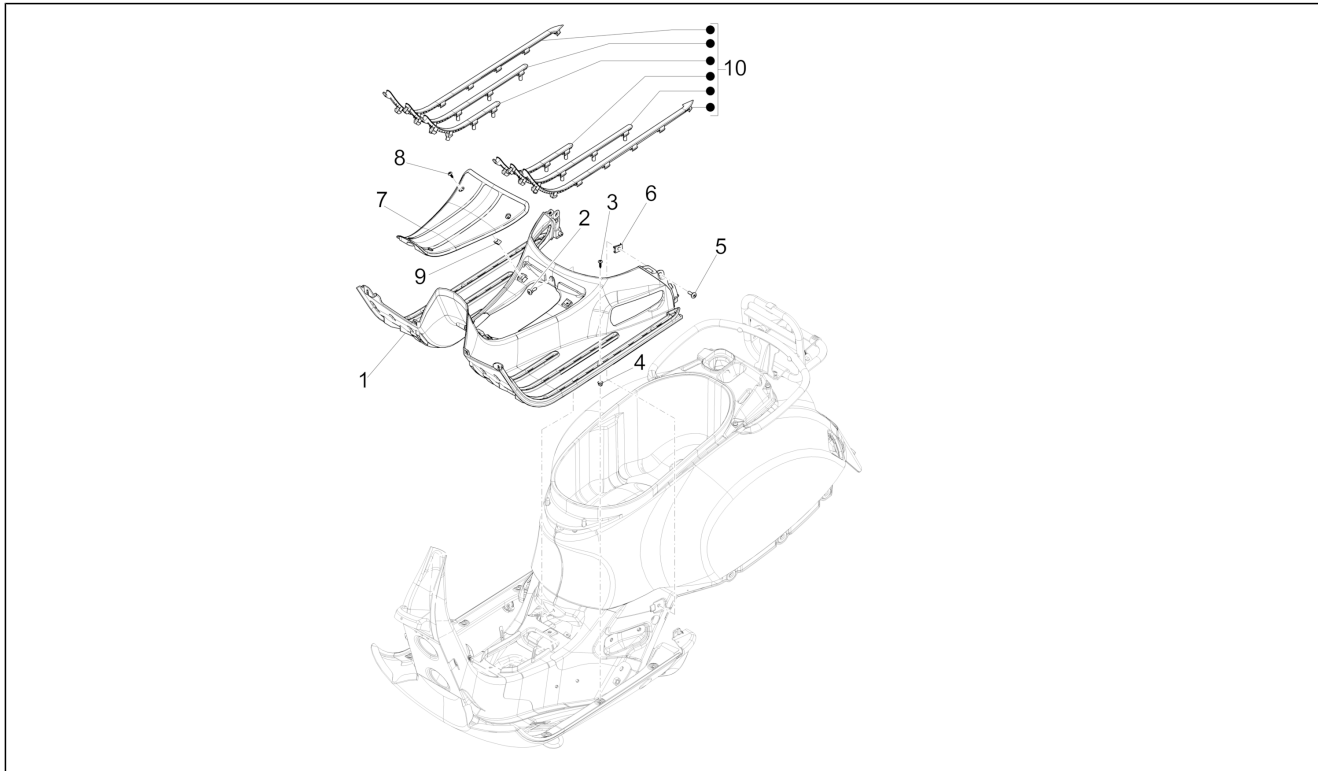
Pos.	Code	Description	Qty	Variants
1	1B005767000Y03	Painted front top box	1	
1	1B005767	Front glove comp.	1	
2	CM178604	TORX head self-tapping screw	4	
3	CM017408	Plate	4	
4	CM178601	Self tapping screw D4.2x16	2	
5	199190	Expansion plug	2	
6	CM178610	Self-tapping screw	2	
7	CM017410	Spring plate	4	
8	1B0034460000C	Net panel (l)	1	
9	1B0034470000C	Net panel (r)	1	
10	268596	Self tapping screw 13x4	8	
11	577396000C	Right flap	1	
12	577395000C	Left flap	1	
13	CM178607	Self tapping screw	1	
14	575819	Bag holder hook	1	
15	259349	Self tapping screw TCCIC M4,2x13 black	2	
16	575249	screw	1	
17	641548	Washer 8,6x6,2x1	1	
18	57717500Y03	Glove compartment door, painted	1	
18	577175	Glove compartment door, unpainted	1	
19	252420	Square	1	
20	268596	Self tapping screw 13x4	4	
21	575607	Pawl	1	
22	577005	Spring	1	
23	257614	Door fixing bracket	2	
24	577468	Counter flap	1	
25	297498	Self tapping screw	6	
26	577861	Lever	1	

Group	Frame - Plastic parts - Coachwork
Code	02.30
Description	Front glove-box - Knee-guard panel
Service	1



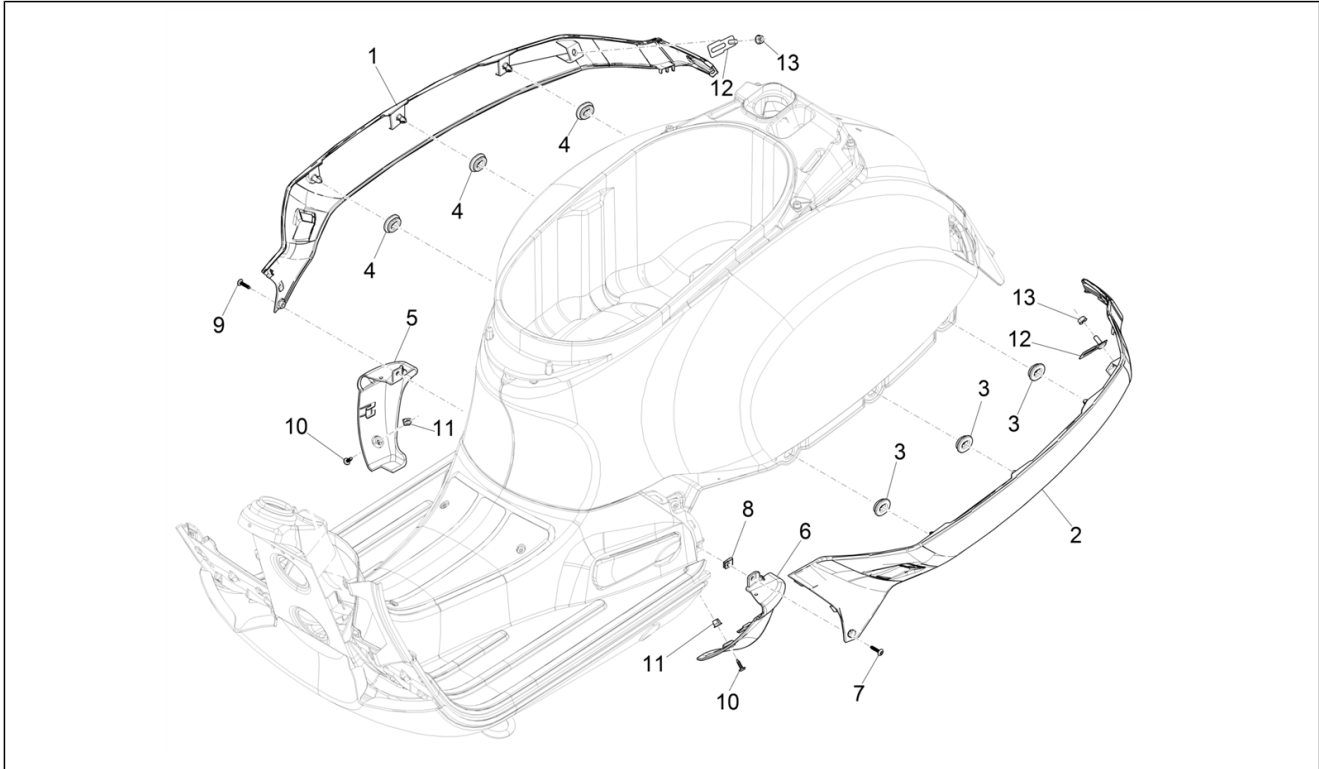
Pos.	Code	Description	Qty	Variants
27	577399	Spring	1	
28	577400	Pin	1	
29	577447	Rim	1	
30	CM017406	Plate	2	
31	577594	Spring clamp	2	
32	CM178601	Self tapping screw D4.2x16	2	
33	577453	Lock lever	1	
34	299972	Special screw	1	
35	577620	Self locking nut	1	
36	CM006311	Flap packing	1	
37	620693	Sound proof panel	2	
38	1B001752	Top box cover	1	
39	1B005869	plate	1	
40	CM179301	Torx head cylinder head screw M6x16	1	
41	620452	Cover	1	
42	623776	paratia interna bauletto	1	

Group	Frame - Plastic parts - Coachwork
Code	02.31
Description	Central cover - Footrests
Service	1



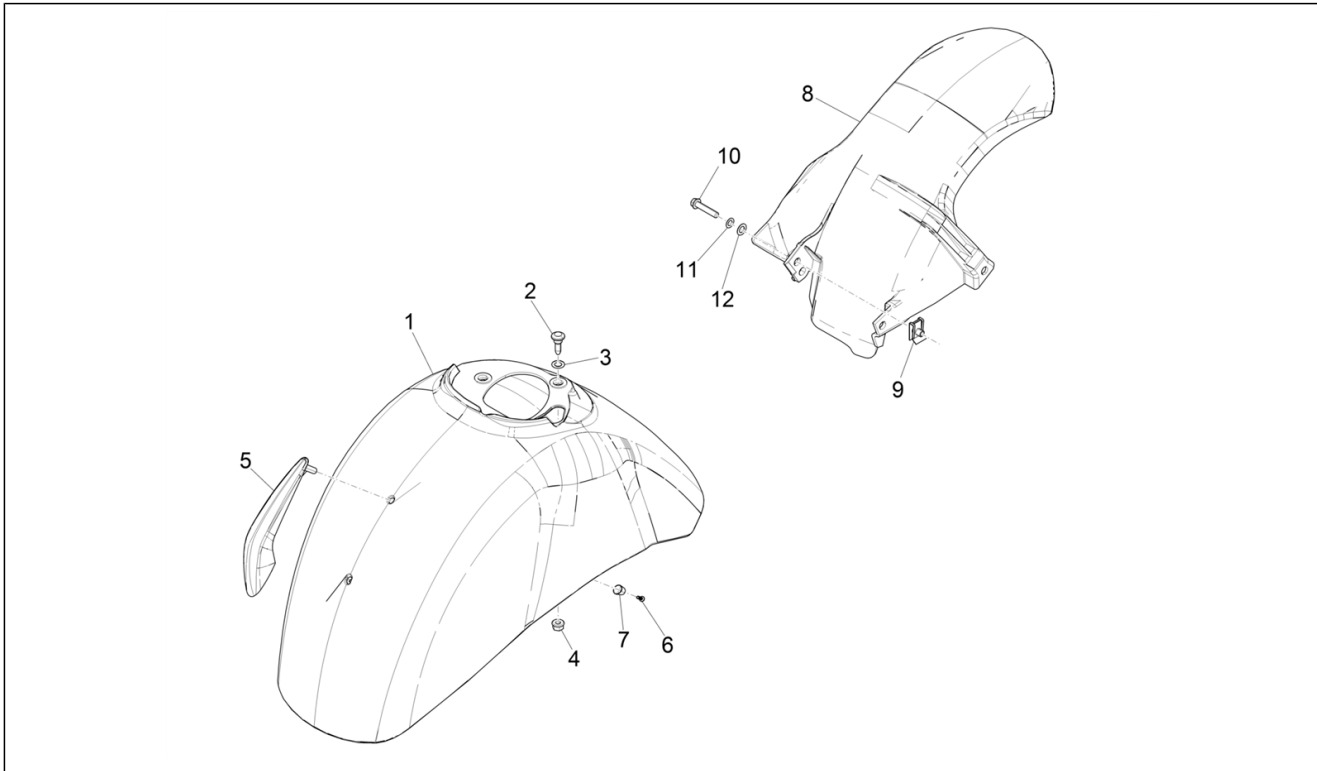
Pos.	Code	Description	Qty	Variants
1	65663700Y03	Painted footrest	1	
1	R1U000048	Footrest	1	
2	CM179201	Metric screw M6x22	1	
3	CM178604	TORX head self-tapping screw	6	
4	157716	Expansion plug	6	
5	CM179302	Metric screw TBC	2	
6	254485	Spring plate M6	2	
7	1B001014	Battery cover	1	
8	CM178601	Self tapping screw D4.2x16	4	
9	CM017410	Spring plate	4	
10	656648	Kit strips, footboard	1	

Group	Frame - Plastic parts - Coachwork
Code	02.32
Description	Side cover - Spoiler
Service	1



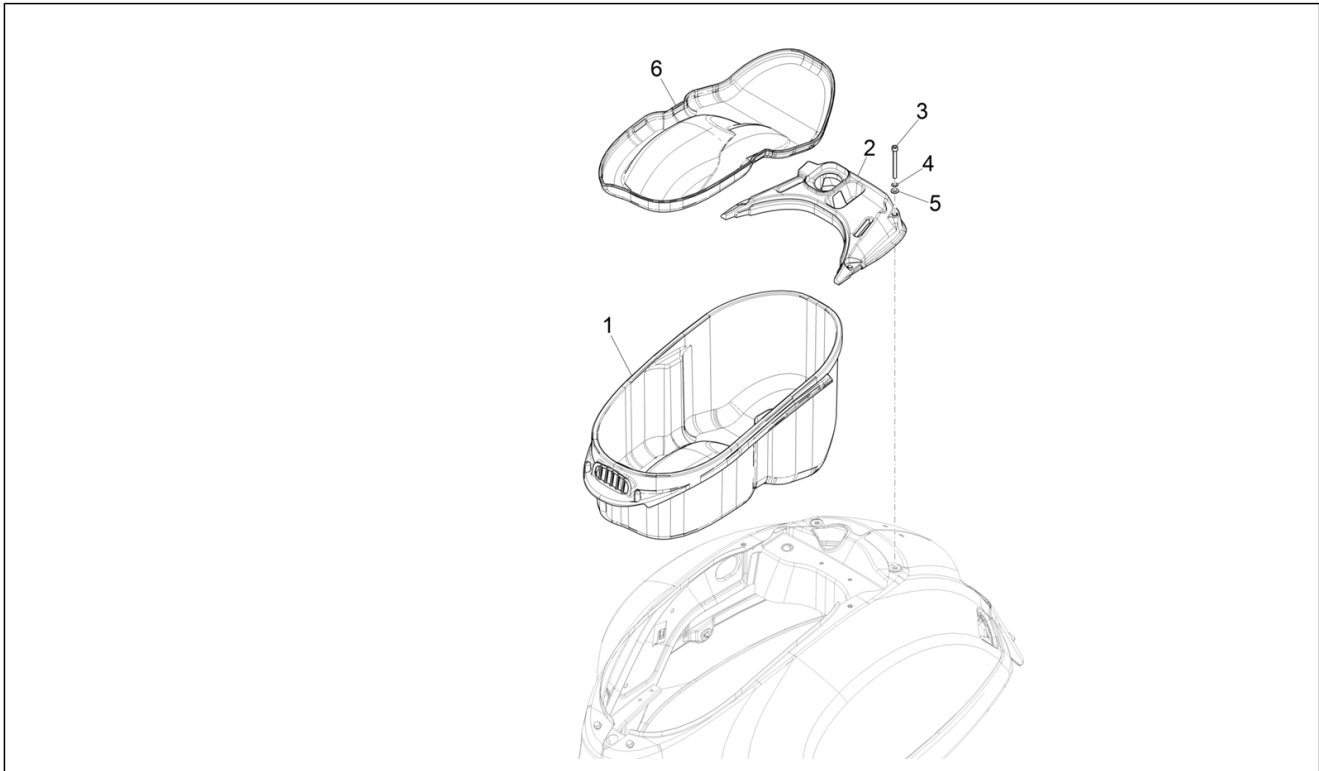
Pos.	Code	Description	Qty	Variants
1	1B005787000Y03	Right side cover	1	
1	1B005787	Right side cover raw (unpainted)	1	
2	1B005786000Y03	Left side cover	1	
2	1B005786	Left side cover raw (unpainted)	1	
3	1B000888	Pad	3	
4	1B000888	Pad	3	
5	1B005804000Y03	Spoiler right terminal	1	
5	1B005804	Spoiler right terminal raw (unpainted)	1	
6	1B005803000Y03	Spoiler left terminal	1	
6	1B005803	Spoiler left terminal raw (unpainted)	1	
7	CM179101	Self-tapping screw	1	
8	CM017410	Spring plate	1	
9	CM178609	Self-tap screw	1	
10	CM178601	Self tapping screw D4.2x16	2	
11	199190	Expansion plug	2	
12	623575	Fairing fixing plate	2	
13	288245	Self locking nut M6	2	

Group	Frame - Plastic parts - Coachwork
Code	02.33
Description	Wheel huosing - Mudguard
Service	1



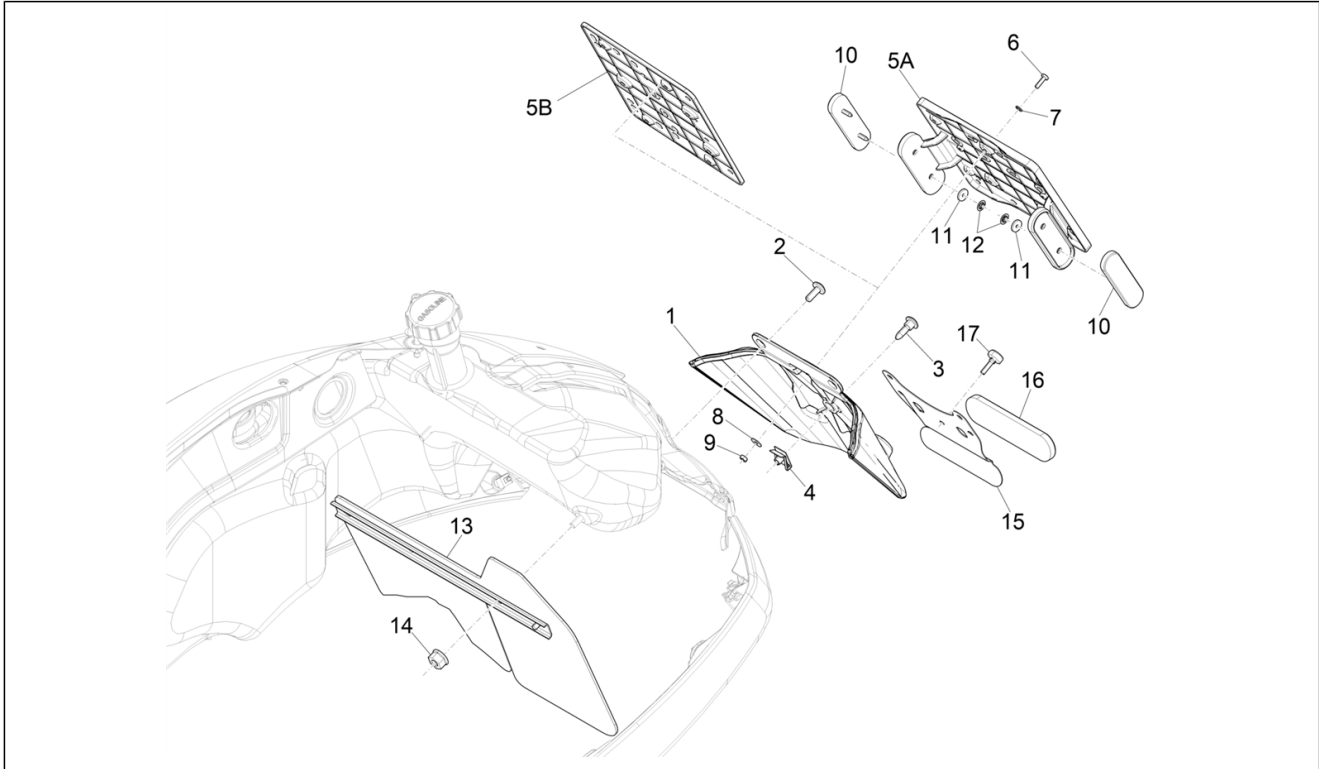
Pos.	Code	Description	Qty	Variants
1	65102900Y03	Painted front mudguard	1	
1	R1U000047	Front mudguard raw (unpainted)	1	
2	648294	Screw with shank M6x25	3	
3	709047	Spring washer	3	
4	288245	Self locking nut M6	3	
5	1B005785	Mudguard crest	1	
6	192598	Cap	2	
7	015727	Self tapping screw 2,9x9,5	2	
8	1B005489	Rear mudguard	1	
9	414838	Flanged hexagon screw M6x35	1	
10	012533	Notched washer 6,6x11x0	1	
11	003056	Flat washer 6,4x12x1	1	
12	254485	Spring plate M6	1	

Group	Frame - Plastic parts - Coachwork
Code	02.34
Description	Helmet huosing - Undersaddle
Service	1



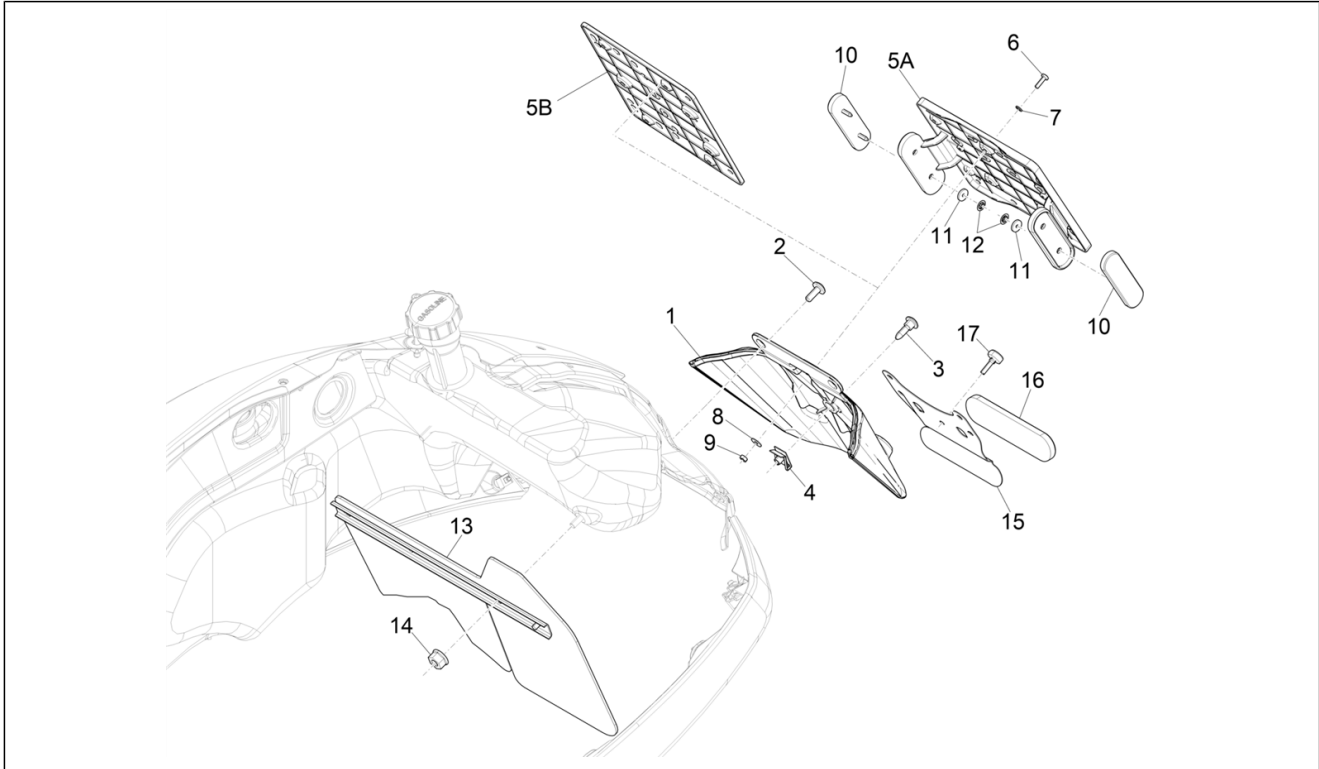
Pos.	Code	Description	Qty	Variants
1	1B004623	Helmet huosing	1	
2	1B006632	Under seat cover	1	
3	951685	screw	2	
4	012533	Notched washer 6,6x11x0	2	
5	013777	Washer 6.4x13x1.5	2	
6	1B004794	Helmet compartment mat	1	

Group	Frame - Plastic parts - Coachwork
Code	02.37
Description	Rear cover - Splash guard
Service	1



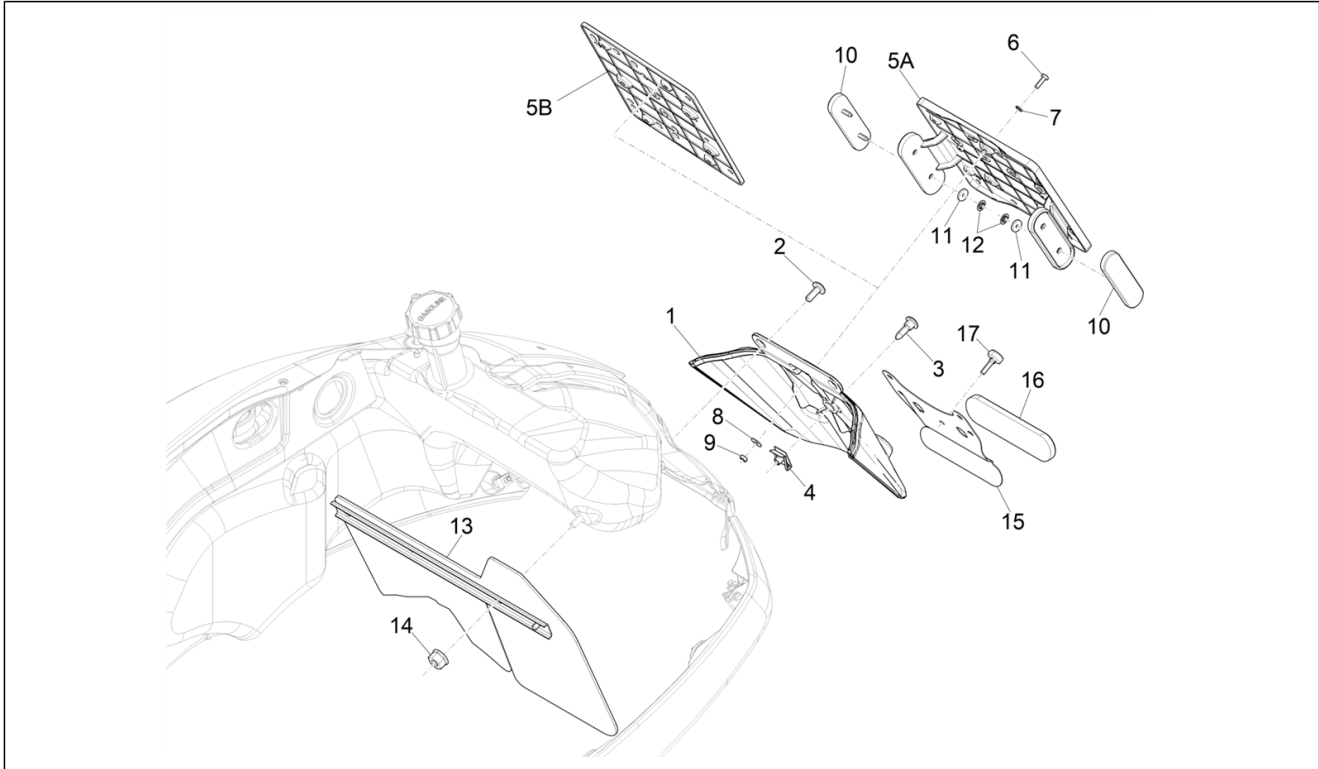
Pos.	Code	Description	Qty	Variants
1	1B0057880000C	Rear splash guard	1	
2	CM179301	Torx head cylinder head screw M6x16	1	
3	CM179201	Metric screw M6x22	1	
4	254485	Spring plate M6	1	
5A	1B006497	License plate	1	Colour: Y03 - GIALLO LUCIDO ZOLFO VESPA 75th MIV[Y03] Country: Taiwan version[TN] Colour: Y03 - GIALLO LUCIDO ZOLFO VESPA 75th MIV[Y03] Country: Cina Version[CN] Colour: Y03 - GIALLO LUCIDO ZOLFO VESPA 75th MIV[Y03] Country: Japan version[JP] Colour: Y03 - GIALLO LUCIDO ZOLFO VESPA 75th MIV[Y03] Country: Hong Kong-Singapore [HK-S]
5B	1B006821	License plate	1	Colour: Y03 - GIALLO LUCIDO ZOLFO VESPA 75th MIV[Y03] Country: Export Version[EXE] Colour: Y03 - GIALLO LUCIDO ZOLFO VESPA 75th MIV[Y03] Country: Vietnam version[VT] Colour: Y03 - GIALLO LUCIDO ZOLFO VESPA 75th MIV[Y03] Country: Export Version[EXE] Colour: Y03 - GIALLO LUCIDO ZOLFO VESPA 75th MIV[Y03] Country: Vietnam version[VT]
6	031057	screw M5x14	3	
7	016405	Spring washer 8,5x5,1x1,5	3	
8	003055	Plain washer 5,4x10x0,8	3	
9	020105	Nut	3	
10	1D001532	Lateral reflector	2	Colour: Y03 - GIALLO LUCIDO ZOLFO VESPA 75th MIV[Y03] Country: Taiwan version[TN] Colour: Y03 - GIALLO LUCIDO ZOLFO VESPA 75th MIV[Y03] Country: Cina Version[CN] Colour: Y03 - GIALLO LUCIDO ZOLFO VESPA 75th MIV[Y03] Country: Japan version[JP] Colour: Y03 - GIALLO LUCIDO ZOLFO VESPA 75th MIV[Y03] Country: Hong Kong-Singapore [HK-S]
11	479882	Spacer	4	Colour: Y03 - GIALLO LUCIDO ZOLFO VESPA 75th MIV[Y03] Country: Taiwan version[TN]

Group	Frame - Plastic parts - Coachwork
Code	02.37
Description	Rear cover - Splash guard
Service	1



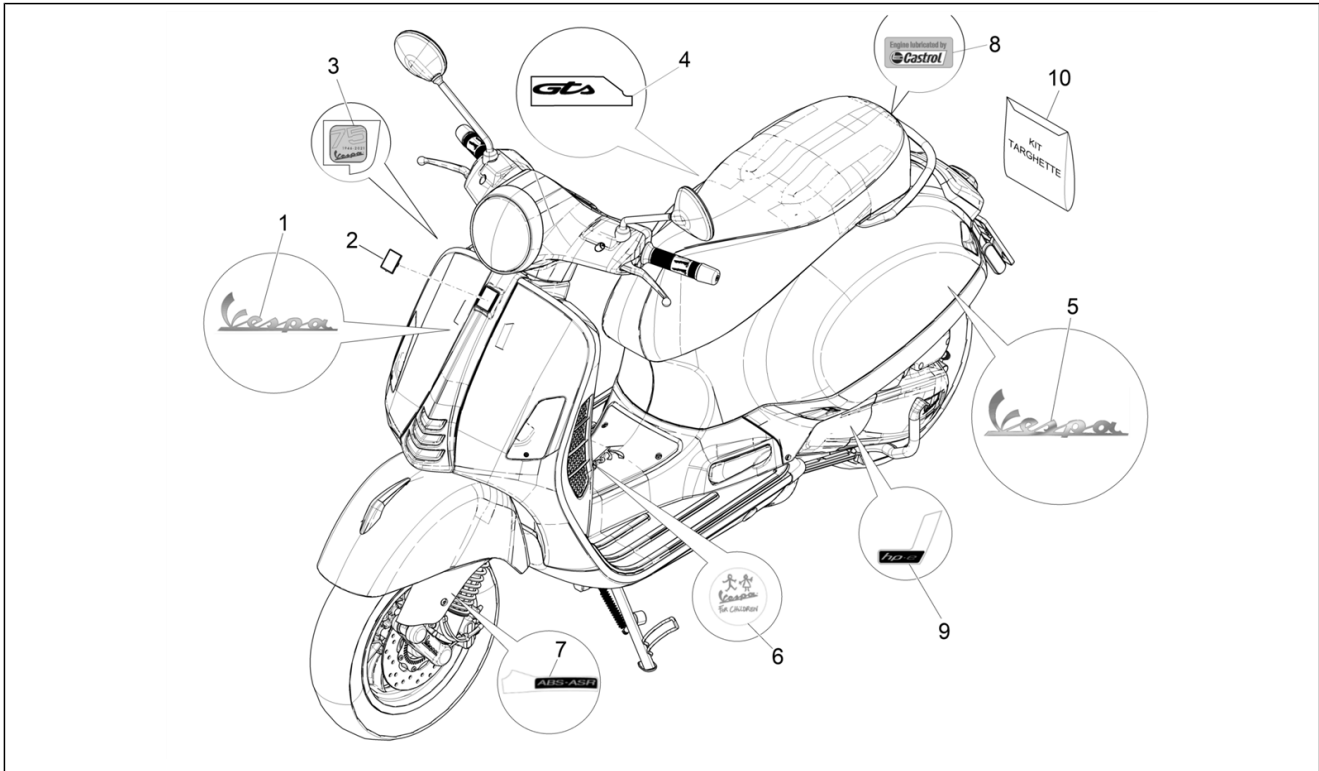
Pos.	Code	Description	Qty	Variants
				Colour: Y03 - GIALLO LUCIDO ZOLFO VESPA 75th MIV[Y03] Country: Cina Version[CN] Colour: Y03 - GIALLO LUCIDO ZOLFO VESPA 75th MIV[Y03] Country: Japan version[JP] Colour: Y03 - GIALLO LUCIDO ZOLFO VESPA 75th MIV[Y03] Country: Hong Kong-Singapore [HK-S]
12	288245	Self locking nut M6	4	Colour: Y03 - GIALLO LUCIDO ZOLFO VESPA 75th MIV[Y03] Country: Vietnam version[VT] Colour: Y03 - GIALLO LUCIDO ZOLFO VESPA 75th MIV[Y03] Country: Cina Version[CN] Colour: Y03 - GIALLO LUCIDO ZOLFO VESPA 75th MIV[Y03] Country: Japan version[JP] Colour: Y03 - GIALLO LUCIDO ZOLFO VESPA 75th MIV[Y03] Country: Hong Kong-Singapore [HK-S]
13	5A000437	Rear splash guard	1	
14	288245	Self locking nut M6	2	
15	1B006548	Rear reflector support	1	Colour: Y03 - GIALLO LUCIDO ZOLFO VESPA 75th MIV[Y03] Country: Export Version[EXE] Colour: Y03 - GIALLO LUCIDO ZOLFO VESPA 75th MIV[Y03] Country: Taiwan version[TN] Colour: Y03 - GIALLO LUCIDO ZOLFO VESPA 75th MIV[Y03] Country: Export Version[EXE] Colour: Y03 - GIALLO LUCIDO ZOLFO VESPA 75th MIV[Y03] Country: Cina Version[CN] Colour: Y03 - GIALLO LUCIDO ZOLFO VESPA 75th MIV[Y03] Country: Japan version[JP] Colour: Y03 - GIALLO LUCIDO ZOLFO VESPA 75th MIV[Y03] Country: Vietnam version[VT] Colour: Y03 - GIALLO LUCIDO ZOLFO VESPA 75th MIV[Y03] Country: Hong Kong-Singapore [HK-S]
15	5A001056	Rear reflector support	1	Colour: Y03 - GIALLO LUCIDO ZOLFO VESPA 75th MIV[Y03] Country: Vietnam version[VT]
16	58233R5	Reflector	1	Colour: Y03 - GIALLO LUCIDO ZOLFO VESPA 75th MIV[Y03] Country: Export Version[EXE] Colour: Y03 - GIALLO LUCIDO ZOLFO VESPA 75th MIV[Y03] Country: Vietnam version[VT]

Group	Frame - Plastic parts - Coachwork
Code	02.37
Description	Rear cover - Splash guard
Service	1



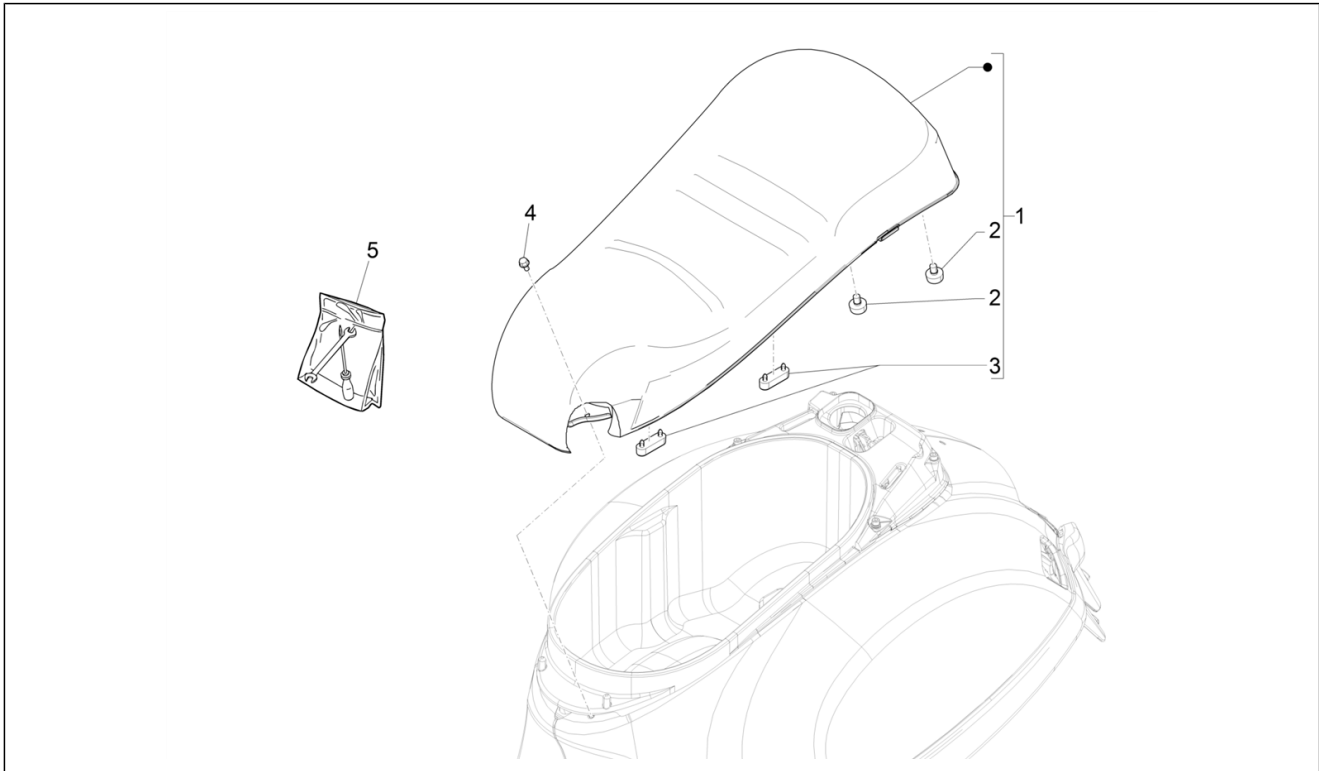
Pos.	Code	Description	Qty	Variants
				Colour: Y03 - GIALLO LUCIDO ZOLFO VESPA 75th MIV[Y03] Country: Taiwan version[TN] Colour: Y03 - GIALLO LUCIDO ZOLFO VESPA 75th MIV[Y03] Country: Export Version[EXE] Colour: Y03 - GIALLO LUCIDO ZOLFO VESPA 75th MIV[Y03] Country: Cina Version[CN] Colour: Y03 - GIALLO LUCIDO ZOLFO VESPA 75th MIV[Y03] Country: Japan version[JP] Colour: Y03 - GIALLO LUCIDO ZOLFO VESPA 75th MIV[Y03] Country: Vietnam version[VT] Colour: Y03 - GIALLO LUCIDO ZOLFO VESPA 75th MIV[Y03] Country: Hong Kong-Singapore [HK-S]
17	299071	Pad	1	Colour: Y03 - GIALLO LUCIDO ZOLFO VESPA 75th MIV[Y03] Country: Export Version[EXE] Colour: Y03 - GIALLO LUCIDO ZOLFO VESPA 75th MIV[Y03] Country: Vietnam version[VT] Colour: Y03 - GIALLO LUCIDO ZOLFO VESPA 75th MIV[Y03] Country: Taiwan version[TN] Colour: Y03 - GIALLO LUCIDO ZOLFO VESPA 75th MIV[Y03] Country: Export Version[EXE] Colour: Y03 - GIALLO LUCIDO ZOLFO VESPA 75th MIV[Y03] Country: Cina Version[CN] Colour: Y03 - GIALLO LUCIDO ZOLFO VESPA 75th MIV[Y03] Country: Japan version[JP] Colour: Y03 - GIALLO LUCIDO ZOLFO VESPA 75th MIV[Y03] Country: Vietnam version[VT] Colour: Y03 - GIALLO LUCIDO ZOLFO VESPA 75th MIV[Y03] Country: Hong Kong-Singapore [HK-S]

Group	Frame - Plastic parts - Coachwork
Code	02.38
Description	Plates - Emblems
Service	1



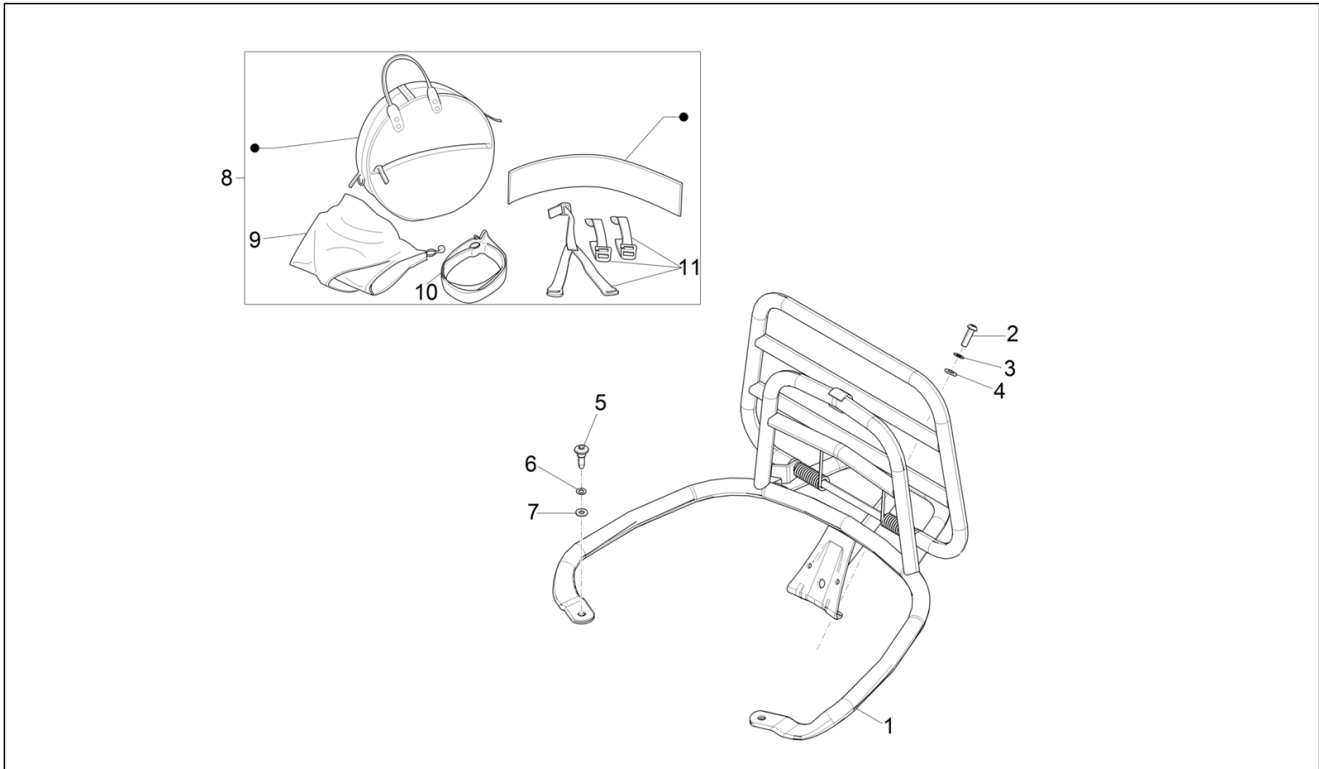
Pos.	Code	Description	Qty	Variants
1	2H004257	Shield plate	1	
2	576464	Shield "Piaggio"	1	
3	2H004370	Name plate "Vespa 75°"	1	
4	2H003198	Name plate "GTS"	1	
5	656220	""Vespa"" lateral label"	1	
6	1B001078	Name plate "Vespa For children"	1	
7	1B001417	Adhesive dataplate ABS-ASR	1	
8	2H002046	Decal Castrol	1	
9	2H003939	Adhesive dataplate "Hpe"	1	
10	2H004412	Trimmings kit "GTS 75°"	1	

Group	Frame - Plastic parts - Coachwork
Code	02.39
Description	Saddle/seats
Service	1



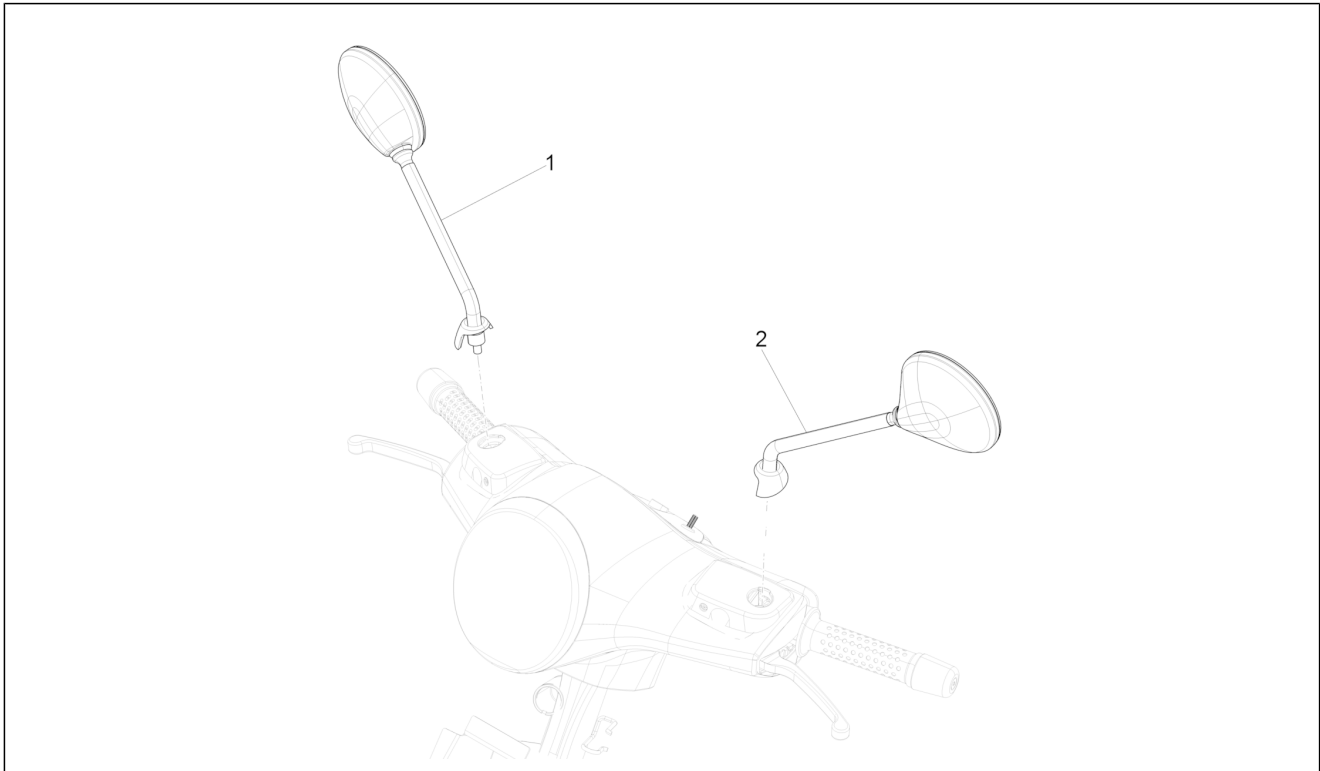
Pos.	Code	Description	Qty	Variants
1	1B009079	Complete saddle grey smoke	1	Colour: Y03 - GIALLO LUCIDO ZOLFO VESPA 75th MIV[Y03] Country: Export Version[EXE] Colour: Y03 - GIALLO LUCIDO ZOLFO VESPA 75th MIV[Y03] Country: Vietnam version[VT] Colour: Y03 - GIALLO LUCIDO ZOLFO VESPA 75th MIV[Y03] Country: Taiwan version[TN] Colour: Y03 - GIALLO LUCIDO ZOLFO VESPA 75th MIV[Y03] Country: Export Version[EXE] Colour: Y03 - GIALLO LUCIDO ZOLFO VESPA 75th MIV[Y03] Country: Cina Version[CN] Colour: Y03 - GIALLO LUCIDO ZOLFO VESPA 75th MIV[Y03] Country: Japan version[JP] Colour: Y03 - GIALLO LUCIDO ZOLFO VESPA 75th MIV[Y03] Country: Vietnam version[VT] Colour: Y03 - GIALLO LUCIDO ZOLFO VESPA 75th MIV[Y03] Country: Hong Kong-Singapore [HK-S]
2	577492	Pad	2	
3	296456	Stop buffer	2	
4	B016426	Flanged hexagon screw M6x14	2	
5	1C0032295	Tool set, standard I/jack	1	

Group	Frame - Plastic parts - Coachwork
Code	02.44
Description	Rear luggage rack
Service	1



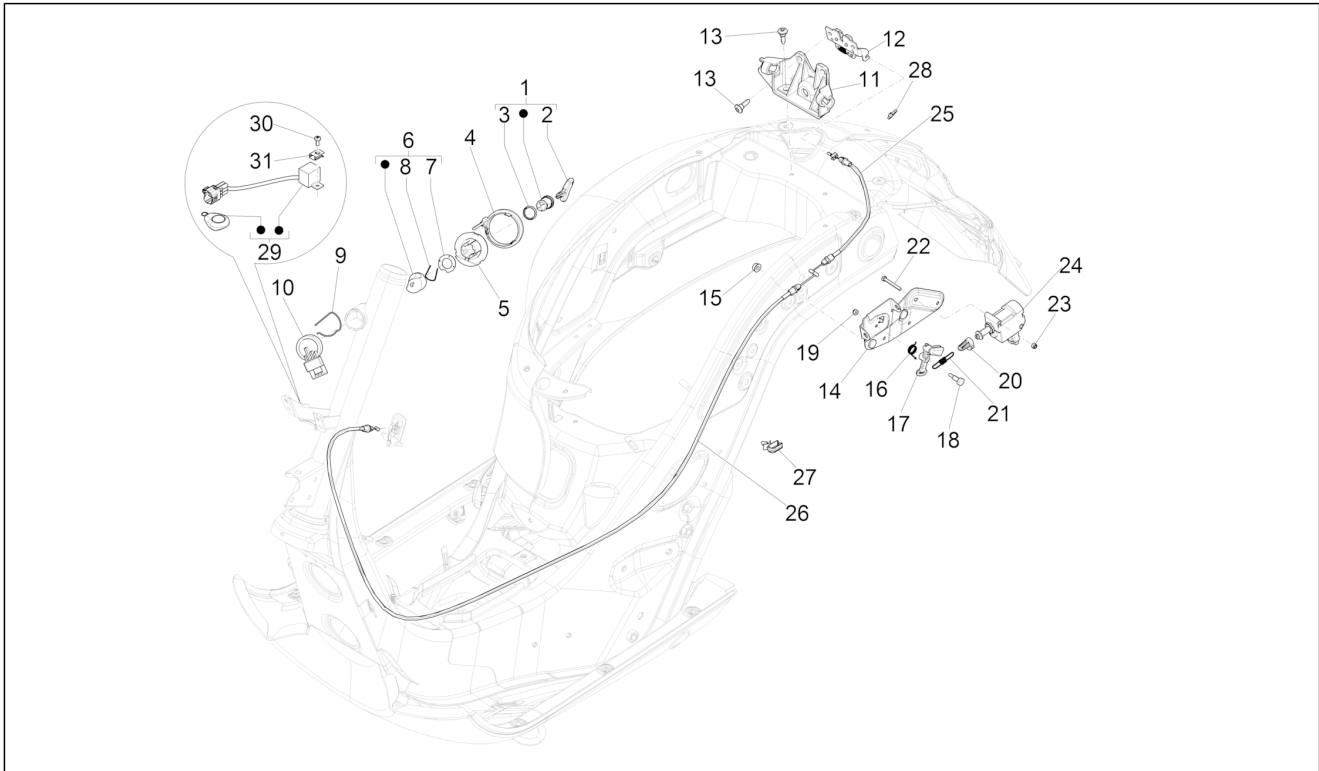
Pos.	Code	Description	Qty	Variants
1	1B002106	Complete rear luggage rack	1	
2	623920	screw torx	2	
3	012533	Notched washer 6,6x11x0	2	
4	013777	Washer 6.4x13x1.5	2	
5	623920	screw torx	2	
6	012533	Notched washer 6,6x11x0	2	
7	013777	Washer 6.4x13x1.5	2	
8	1B009137	Rear luggage kit	1	
9	1B009777	Rain cover rear luggage 75th anniversary	1	
10	1B009778	Rear luggage 75th anniversary belt	1	
11	1B009779	Fixing kit rear luggage 75th anniversary	1	

Group	Frame - Plastic parts - Coachwork
Code	02.45
Description	Driving mirror/s
Service	1



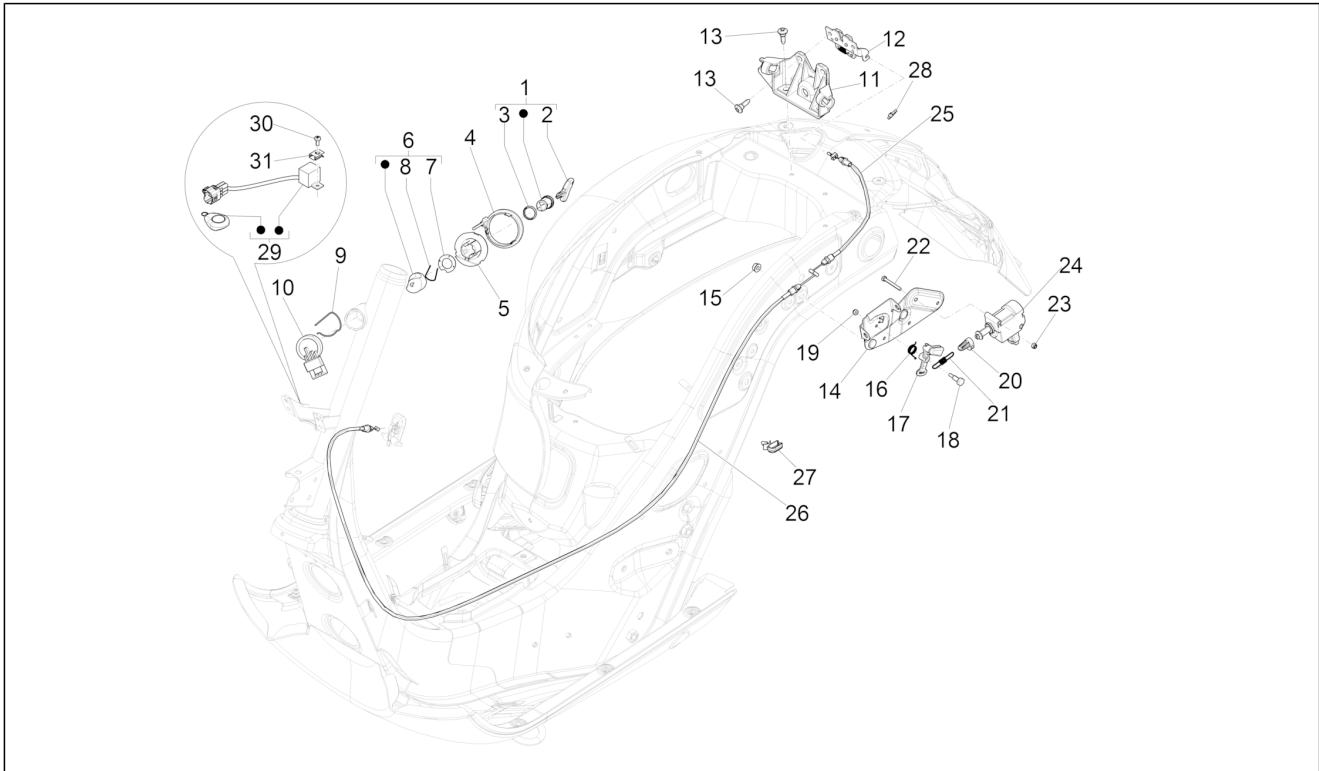
Pos.	Code	Description	Qty	Variants
1	CM306002	Rh side mirror	1	
2	CM306001	Lh side mirror	1	

Group	Frame - Plastic parts - Coachwork
Code	02.46
Description	Locks
Service	1



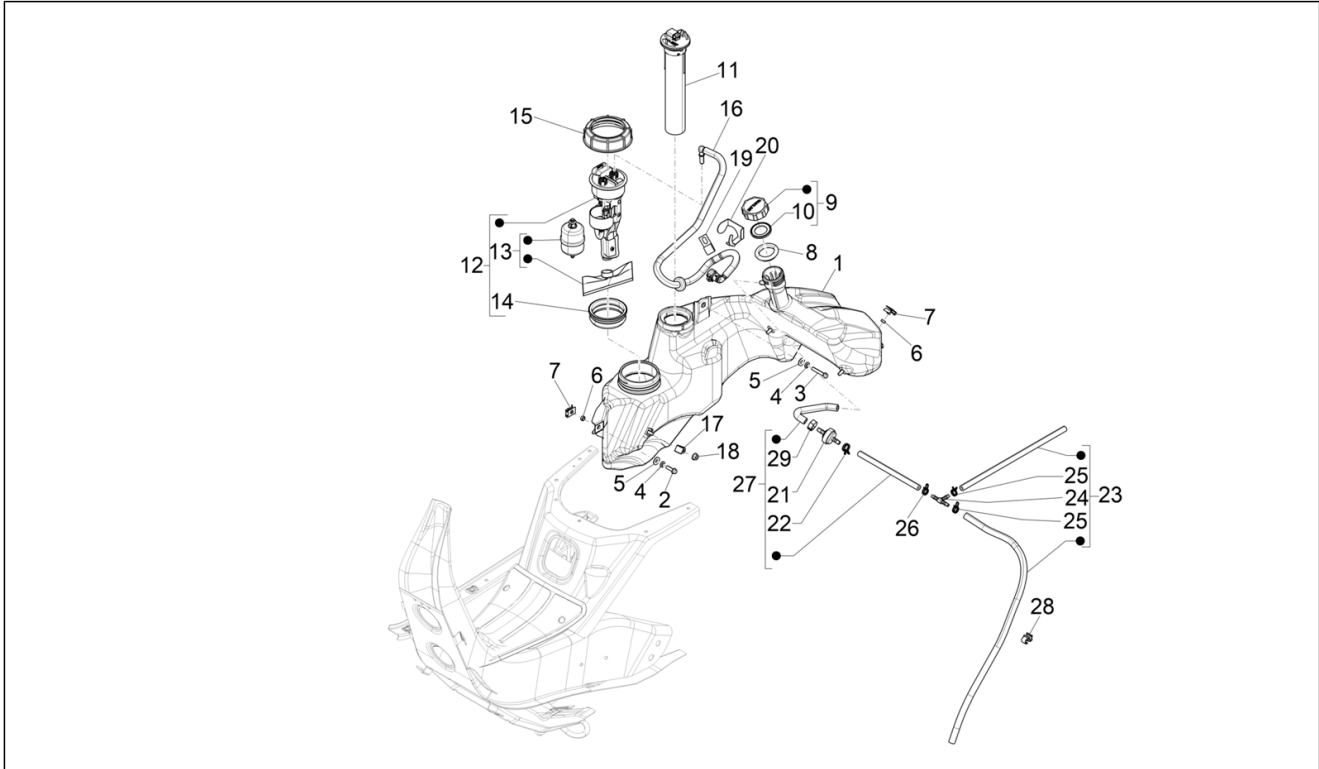
Pos.	Code	Description	Qty	Variants
1	1B004022	Lock kit	1	
2	1B004020	Hewn key with transponder	1	
3	298731	Gasket ring	1	
4	638534	Immobilizer antenna	1	
5	1B001876	Lock body	1	
6	1B006291	Complete lock block	1	
7	298594	Flat washer	1	
8	298838	Cylinder retainer spring	1	
9	253937	Spring	1	
10	1D001338	Key switch	1	
11	577456	Bracket	1	
12	CM023703	Lock	1	
13	CM179201	Metric screw M6x22	4	
14	577471	plate	1	
15	241936	Self locking nut M6	2	
15	288245	Self locking nut M6	2	
16	577131	Spring	1	
17	577129	Lever	1	
18	299972	Special screw	1	
19	577620	Self locking nut	1	
20	577128	Joint	1	
21	620415	Spring	1	
22	584121	Hexagonal-head screw	2	
23	577620	Self locking nut	2	
24	1D002276R	Solenoid valve	1	
25	CM012811	Saddle cable	1	
26	CM012813	Seat emergency opening transmission	1	
27	217280	Hose clamp	1	

Group	Frame - Plastic parts - Coachwork
Code	02.46
Description	Locks
Service	1



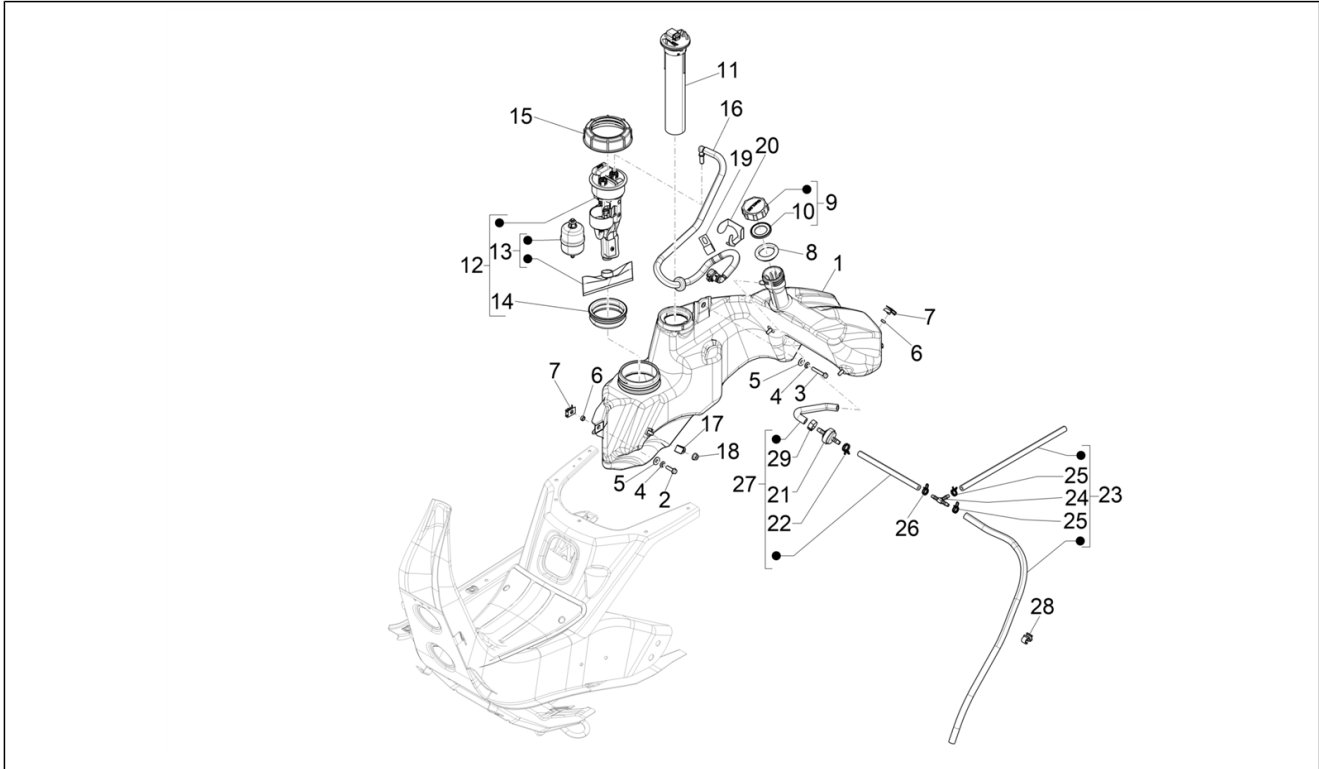
Pos.	Code	Description	Qty	Variants
28	191117	Hose clamp	1	
29	1D002038	Bike finder	1	
30	CM178601	Self tapping screw D4.2x16	1	
31	CM017410	Spring plate	1	

Group	Frame - Plastic parts - Coachwork
Code	02.47
Description	Fuel tank
Service	1



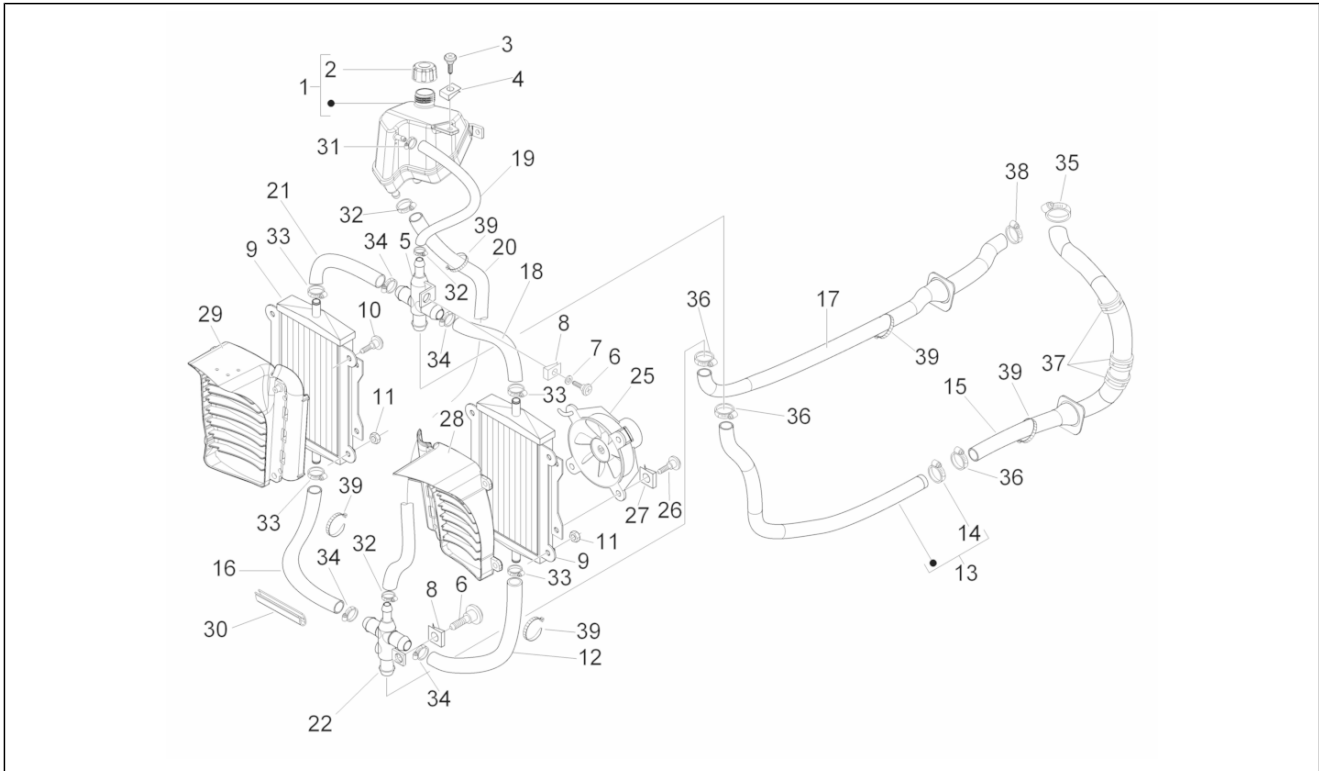
Pos.	Code	Description	Qty	Variants
1	1B000533	Fuel tank	1	
2	018639	Hexagon head screw M6x20	2	
3	414838	Flanged hexagon screw M6x35	1	
4	016406	Spring washer 6,4x11,8x1	3	
5	013880	Flat washer 16x6,5x1,5	3	
6	623162	Spacer	2	
7	254485	Spring plate M6	2	
8	1B004806	Fuel tank gasket	1	
9	656022	Plug	1	
10	656021	Tank cover gasket	1	
11	CM025707	Indicator fuel level	1	
12	1D003554R	Fuel pump	1	
13	1D001657	Fuel filters	1	
14	656003	Gasket	1	
15	576546	Ring nut	1	
16	1B004039R	Fuel pipe complete with joints	1	
17	1B001615	Hose clamp	1	
18	012138	Self locking nut M6-6H (CH10)	1	
19	1B004354	Fuel pump bracket	1	
20	675510	Hose clamp	1	
21	CM179005	Safety valve	1	
22	CM002908	Hose clamp	1	
23	CM001432	Tank breather pipe Ø5x10 L.1060	1	
23	1B006214	Complete breather pipe	1	
24	833658	Vacuum union	1	
25	CM002905	Hose clamp	2	
26	CM002905	Hose clamp	1	
27	1B006213	Complete breather pipe	1	

Group	Frame - Plastic parts - Coachwork
Code	02.47
Description	Fuel tank
Service	1



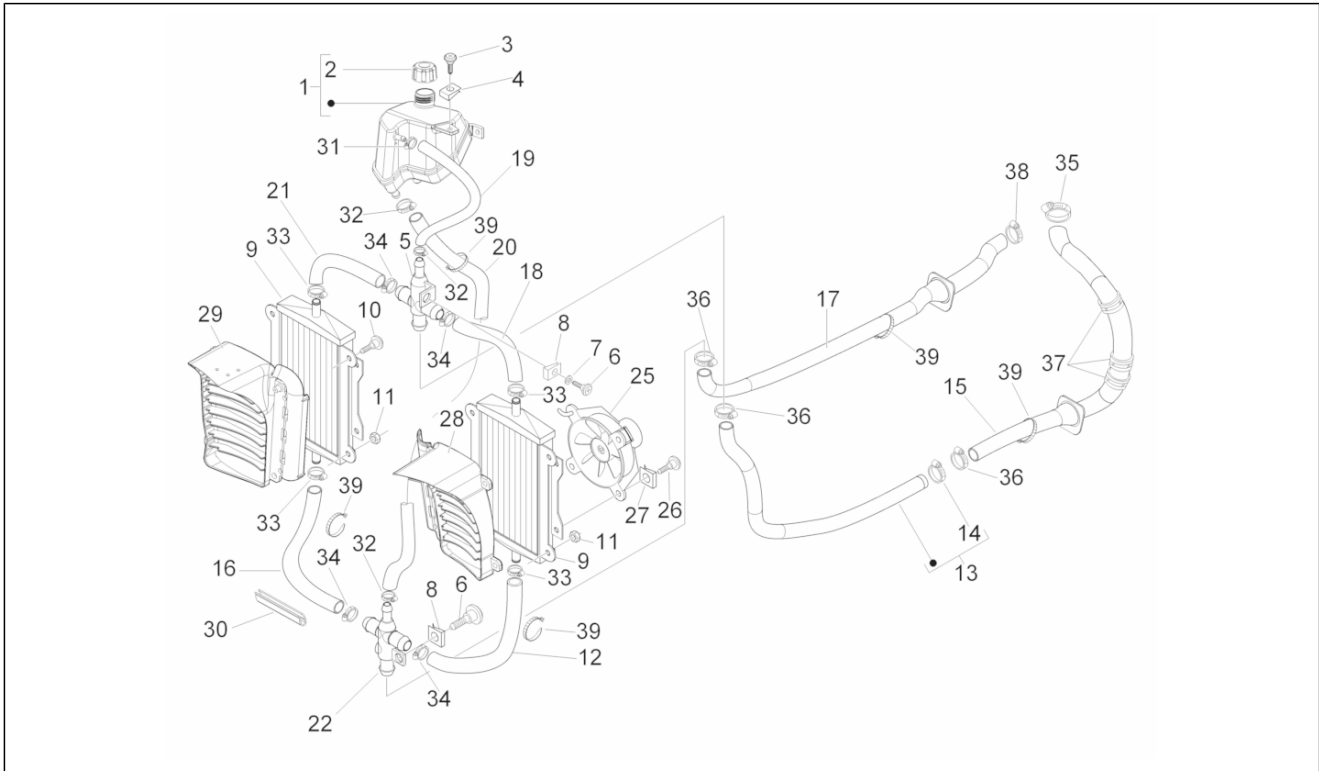
Pos.	Code	Description	Qty	Variants
28	CM013201	Spring	1	
29	CM001914	Hose clamp	1	

Group	Frame - Plastic parts - Coachwork
Code	02.55
Description	Cooling system
Service	1



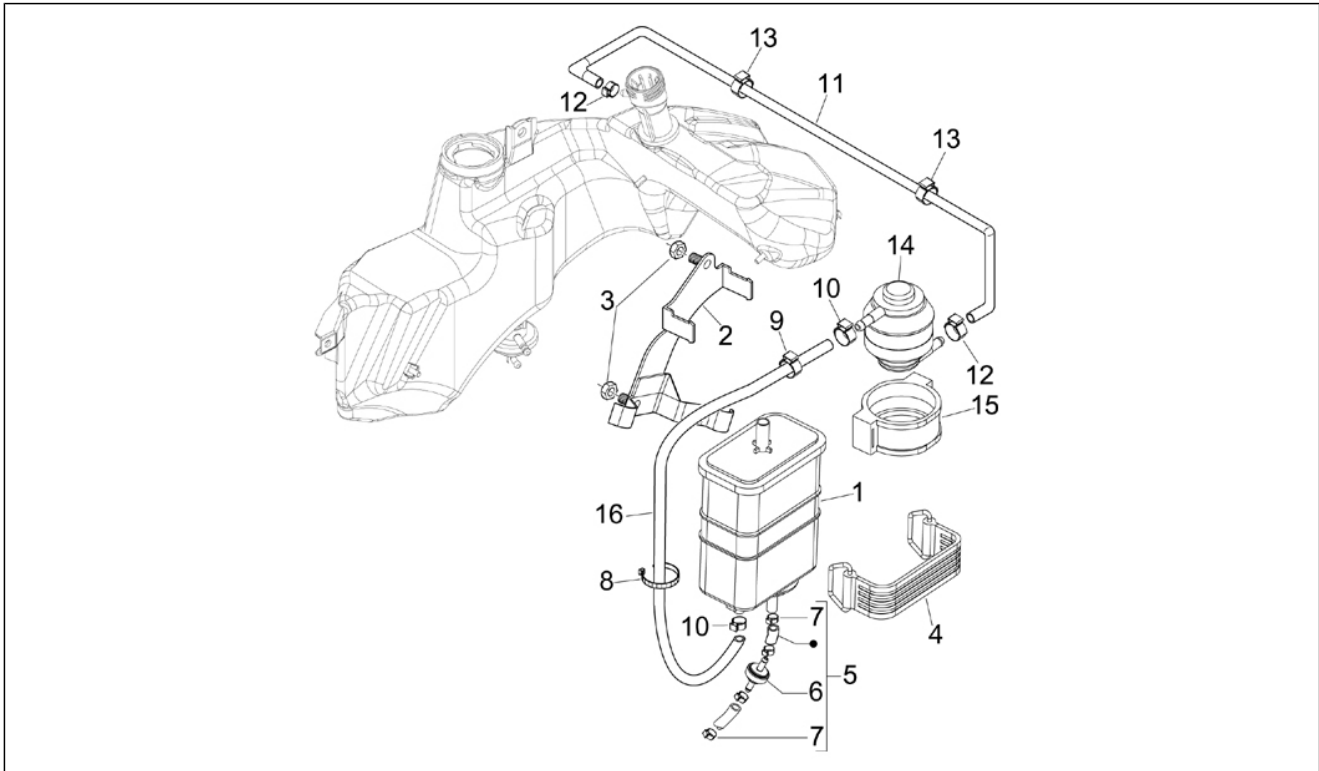
Pos.	Code	Description	Qty	Variants
1	657111	Coolant tank	1	
2	623673	Expansion tank plug	1	
3	CM179201	Metric screw M6x22	2	
4	254485	Spring plate M6	1	
5	577195	Joint	1	
6	CM179201	Metric screw M6x22	2	
7	709047	Spring washer	1	
8	254485	Spring plate M6	2	
9	577183	Radiator, assy	2	
10	CM178606	Self tapping screw 4,2x16	2	
11	288245	Self locking nut M6	6	
12	577201	Lower joint-right radiator connection pipe	1	
13	1B003727	Upper connection joint pipe	1	
13	57333R	Upper connection with clamp and plastic fitting	1	
14	CM001908	Hose clamp	1	
15	653501	Head coupling tube	1	
16	57313R	Lower joint-left radiator connection pipe	1	
17	656437	Lower joint pipe	1	
18	1B003454	Hose radiator LH-upper joint	1	
18	577384	pipe	1	
19	1B003456	Hose coolant tank-upper joint	1	
19	577433	pipe	1	
20	57314R	pipe	1	
21	1B003455	Hose radiator RH-upper side	1	
21	623013	pipe	1	
22	656449	Joint for water pipes	1	
25	584669	Fan engine	1	
26	CM179301	Torx head cylinder head screw M6x16	3	

Group	Frame - Plastic parts - Coachwork
Code	02.55
Description	Cooling system
Service	1



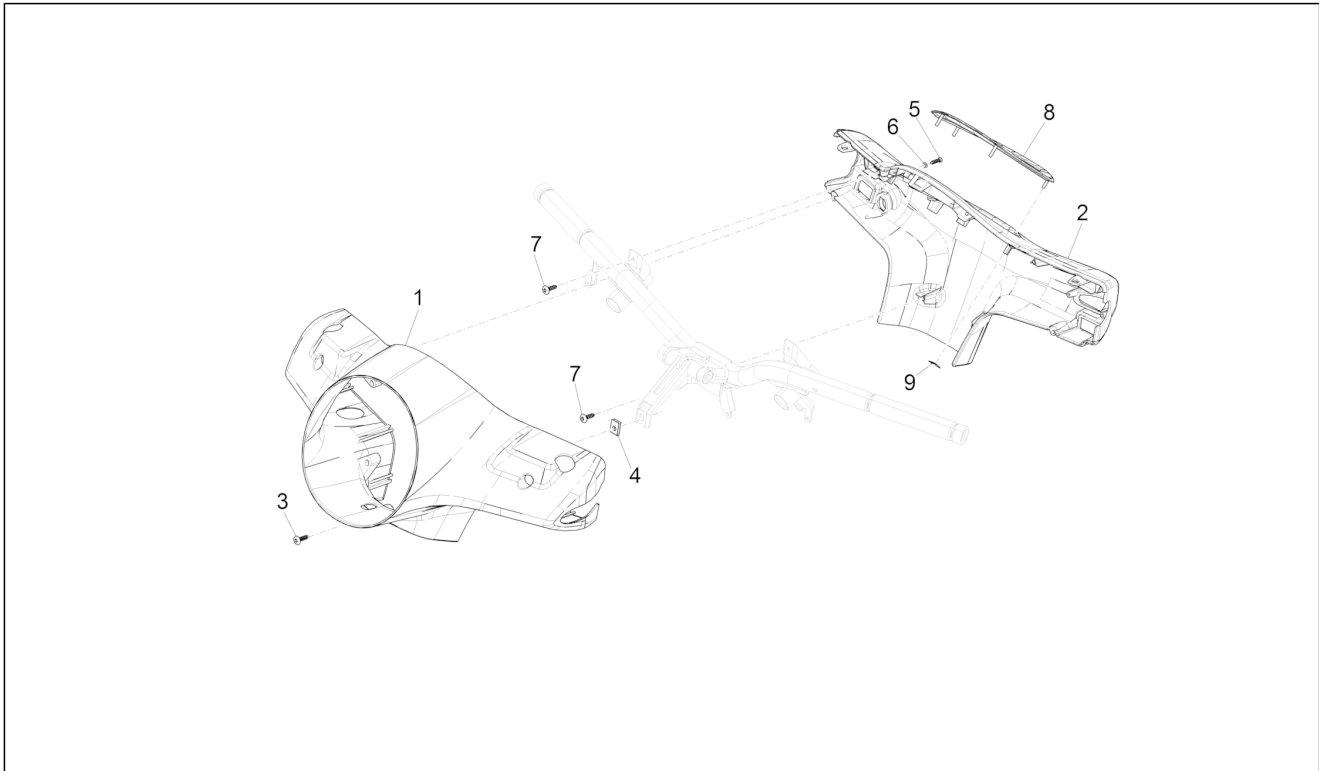
Pos.	Code	Description	Qty	Variants
27	254485	Spring plate M6	3	
28	577187	Left air duct	1	
29	622839	Right air duct	1	
30	CM077703	Guard	1	
31	CM001902	Hose clamp	1	
32	CM001904	Hose clamp	3	
33	CM001905	Hose clamp	4	
34	CM001907	Hose clamp	4	
35	CM001908	Hose clamp	1	
36	CM001915	Hose clamp	3	
37	CM006903	Pipes/cables retainer spring	3	
38	675874	Hose clamp	2	
39	145298	Lock-strap L=180 mm	5	

Group	Frame - Plastic parts - Coachwork
Code	02.61
Description	Anti-percolation system
Service	1



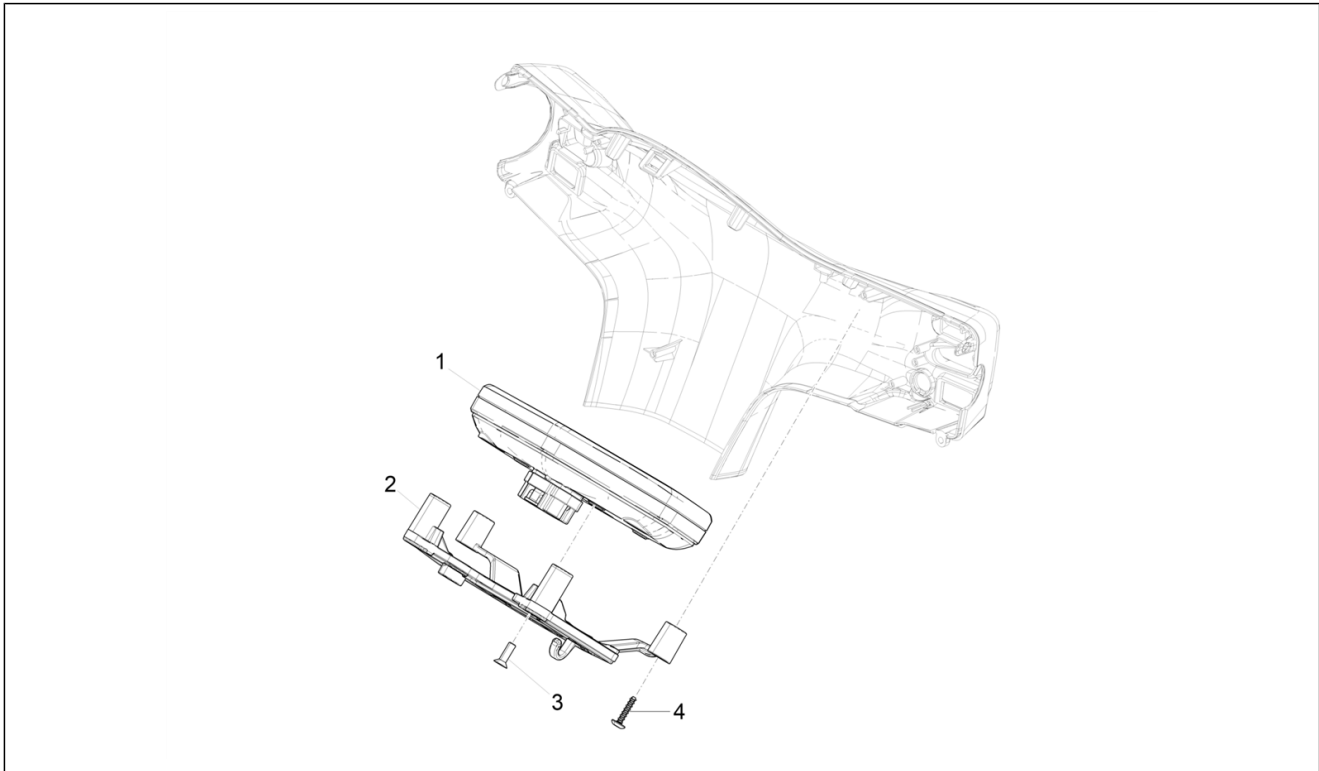
Pos.	Code	Description	Qty	Variants
1	1B0045715	Canister complete with adhesive label	1	
2	620966	Bracket	1	
3	288245	Self locking nut M6	2	
4	583921	Belt	1	
5	657446	Induction joint canister pipe	1	
6	CM179005	Safety valve	1	
7	CM001914	Hose clamp	2	
8	145298	Lock-strap L=180 mm	1	
9	CM013201	Spring	1	
10	CM001914	Hose clamp	4	
11	CM177910	Sae j30 pipe R11-A O R12 1/4" L=920	1	
12	CM001914	Hose clamp	2	
13	CM013201	Spring	2	
14	CM028201	Volet	1	
15	576454	Maintenance	1	
16	CM177910	Sae j30 pipe R11-A O R12 1/4" L=920	1	

Group	Handlebars/Steering
Code	03.01
Description	Handlebars coverages
Service	1



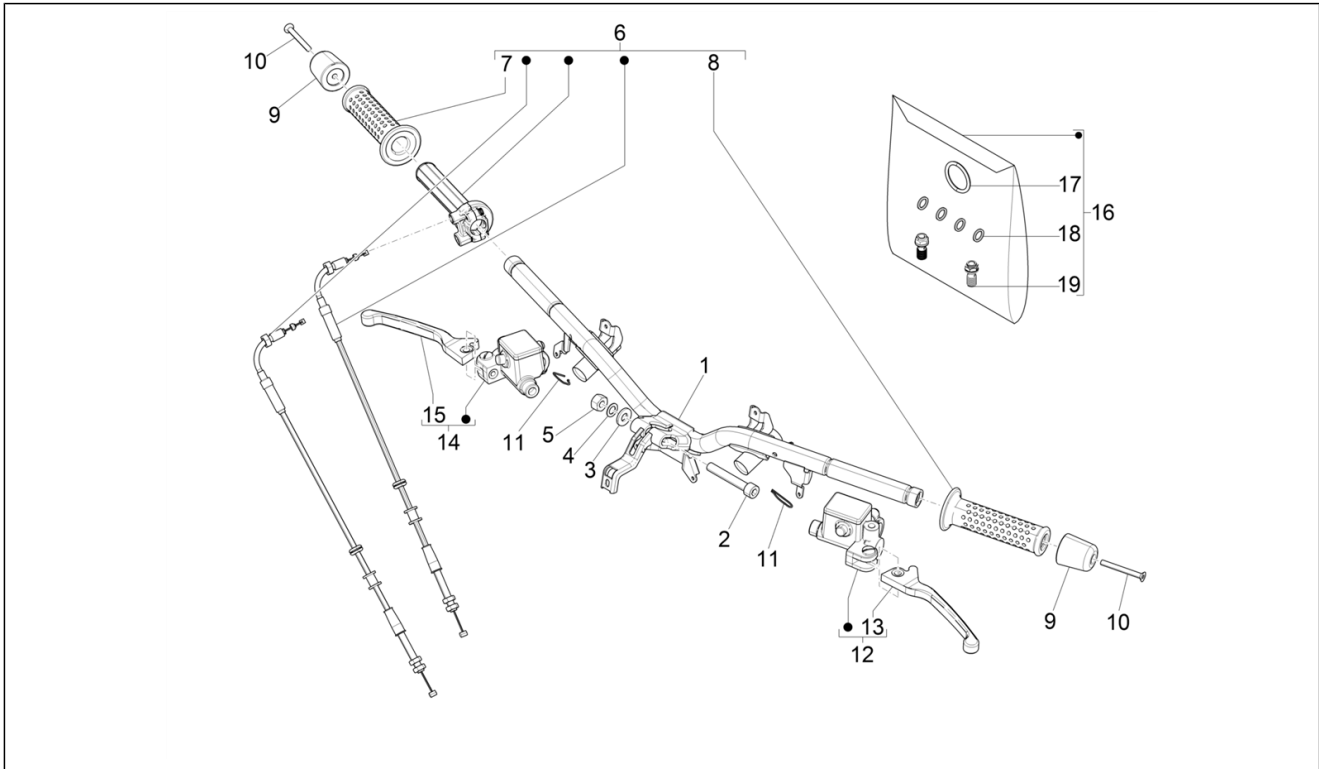
Pos.	Code	Description	Qty	Variants
1	1B005761000Y03	Front booby hatch	1	
1	1B005761	Front handlebar cover, unpainted	1	
2	1B005762000Y03	Handlebar rear cover	1	
2	1B005762	Untreated handlebar rear cover	1	
3	CM178604	TORX head self-tapping screw	1	
4	CM017409	Spring plate	1	
5	294678	Self tapping screw 3.5x16	2	
6	003053	Washer	2	
7	CM180701	Self tapping screw D4x16	4	
8	1B005764	Instrument panel frame	1	
9	008108	Spring plate	4	

Group	Handlebars/Steering
Code	03.02
Description	Meter combination - Cruscotto
Service	1



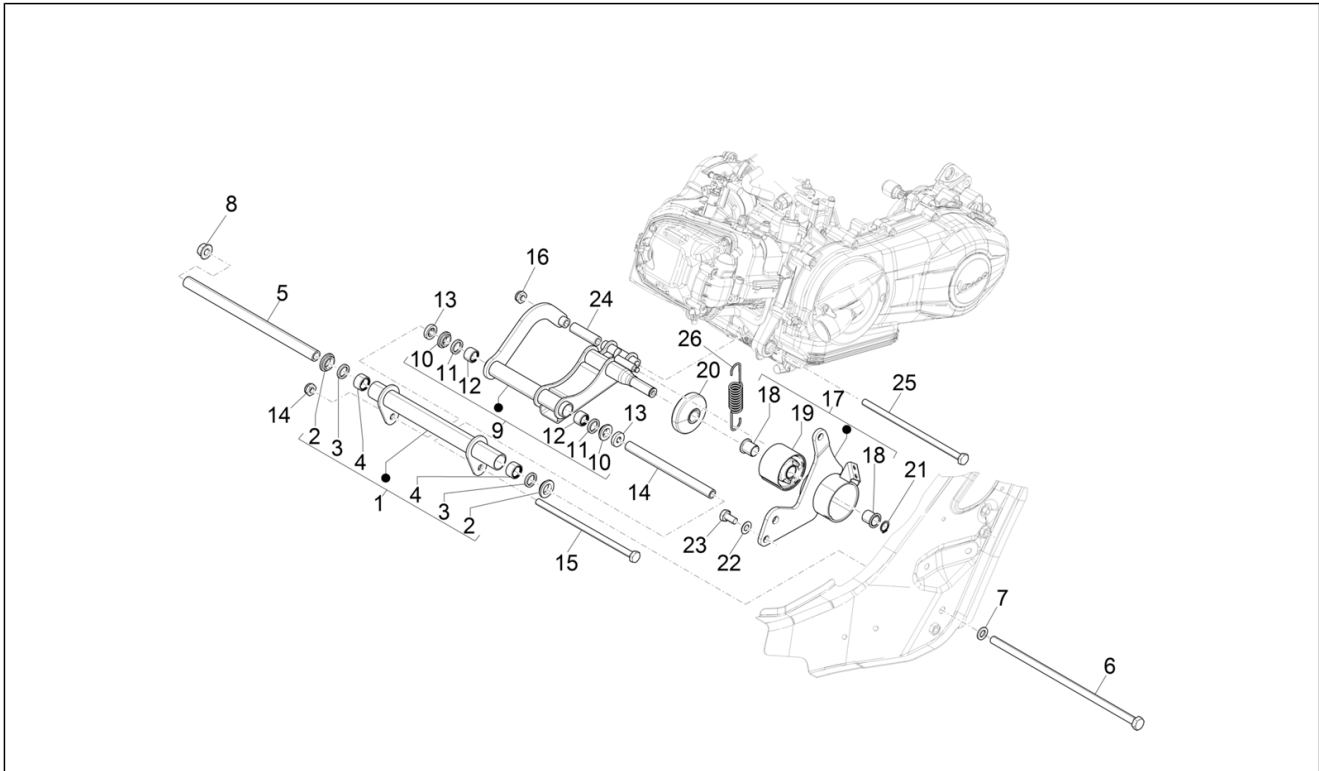
Pos.	Code	Description	Qty	Variants
1	1D001598	Meter combination	1	
1	1D003033	Instrument cluster	1	
2	1B005642	Instrument support	1	
3	825079	Screw M5x16	4	
4	CM180702	Self tapping screw	4	

Group	Handlebars/Steering
Code	03.06
Description	Handlebars - Master cil.
Service	1



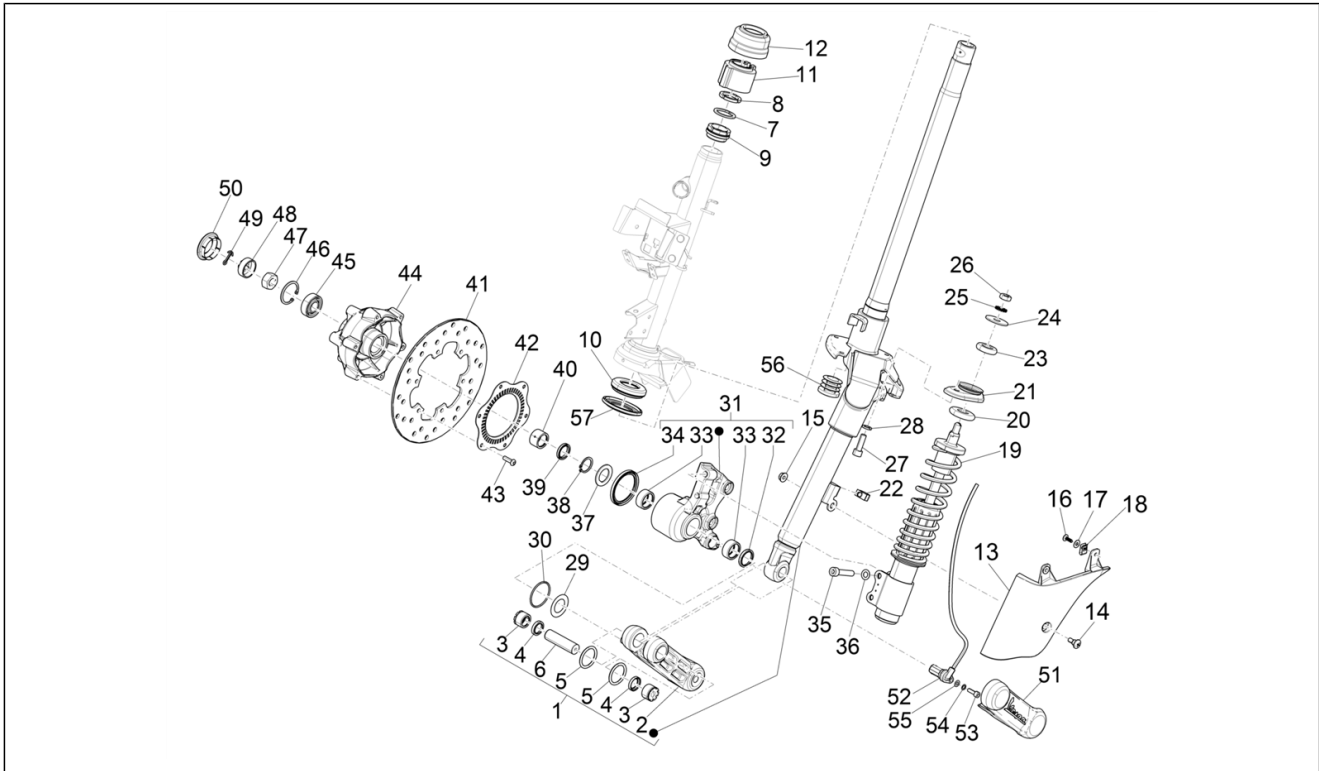
Pos.	Code	Description	Qty	Variants
1	1B008502	Handlebar with p.i.	1	
2	655554	Hex socket screw	1	
3	012543	Flat elastic washer with internal tothing 17x10,3x2	1	
4	267917	Flat washer 18x10,2x2,5	1	
5	015330	Nut M10	1	
6	CM087722	Throttle control sleeve assembly	1	
7	CM083802	Grip, r.h.	1	
8	CM083801	Grip, l.h.	1	
9	673243	Anti vib.weight trailing	2	
10	271434	screw M6x55	2	
11	657046	Spring	2	
12	CM295603	Rear master cylinder	1	
13	497042	Brake lever	1	
14	CM295304	Front brake hydraulic pump	1	
15	497042	Brake lever	1	
16	1R000467	Brake system bleeding kit	1	
17	006731	Gasket	1	
18	AP8113004	Washer 10x14x1,6*	4	
19	AP8133945	Bleeder raccord	2	

Group	Suspensions - Wheels
Code	04.01
Description	Swinging arm
Service	1



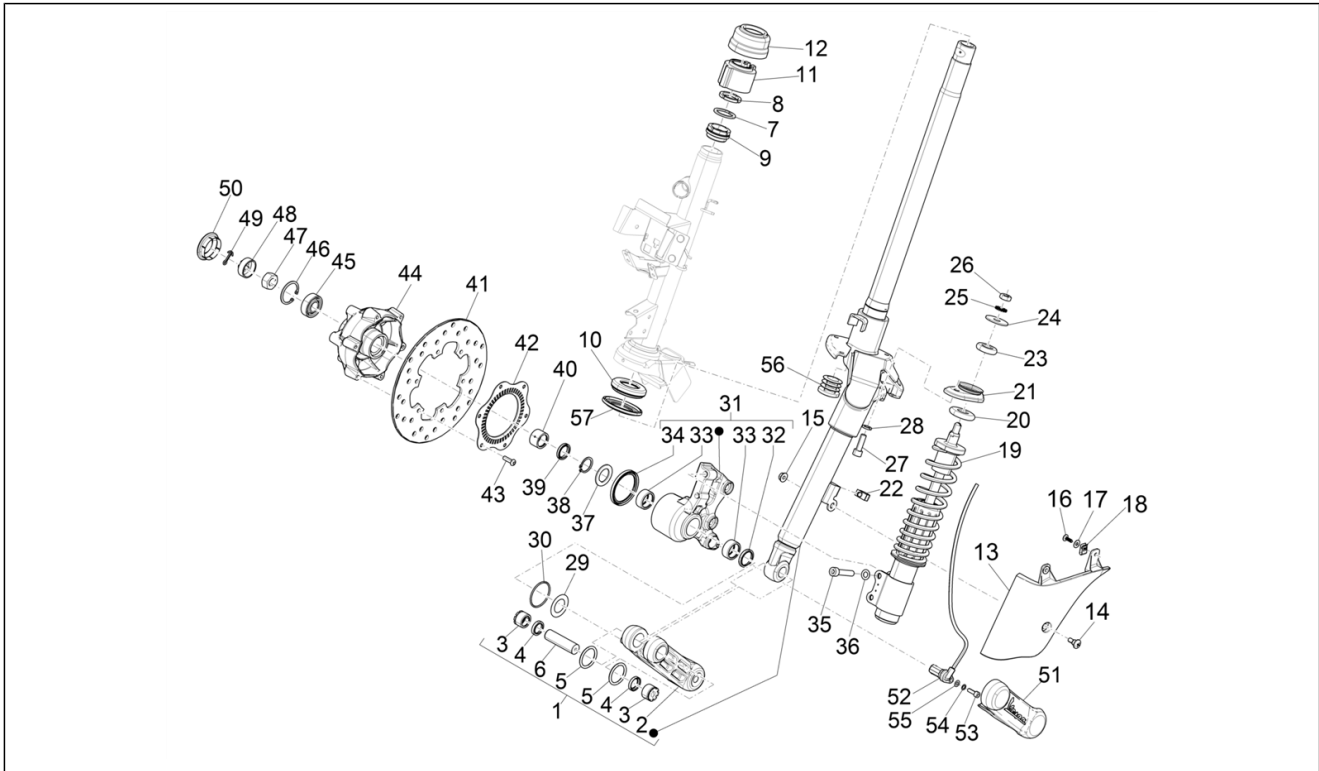
Pos.	Code	Description	Qty	Variants
1	5A000479	Chassis side swinging arm	1	
2	598917	Bush	2	
3	5A000478	Gasket ring	2	
4	600161	Roller cage	2	
5	1C000439	Spacer	1	
5	597857	Spacer 290.00 mm	1	
6	597914	Hex socket screw M12x324	1	
7	266845	Washer	1	
8	271740	Nut M12	1	
9	1C0025559	Complete swinging arm on engine side	1	
10	597317	Bush	2	
11	1C001341	Gasket ring	2	
12	56127R	Roller cage	2	
13	650755	Spacer	2	
14	CM067806	Spacer 189.00 mm	1	
15	271779	Hex socket screw M10x215	1	
16	002440	Self locking nut M10-6H (CH17)	2	
17	1C002894	Silentblock support bracket	1	
17	601815	Silentblock support bracket	1	
18	273460	Bush	2	
19	272750	Silent-block	1	
20	599250	Silent-block	1	
21	006416	Circlip	1	
22	012535	Washer	2	
23	031153	Hexagon head screw M10x20 CL8.8	2	
24	599077	Spacer	1	
25	598237	screw M10x220	1	
26	599059	Spring	1	

Group	Suspensions - Wheels
Code	04.02
Description	Fork/steering tube - Steering bearing unit
Service	1



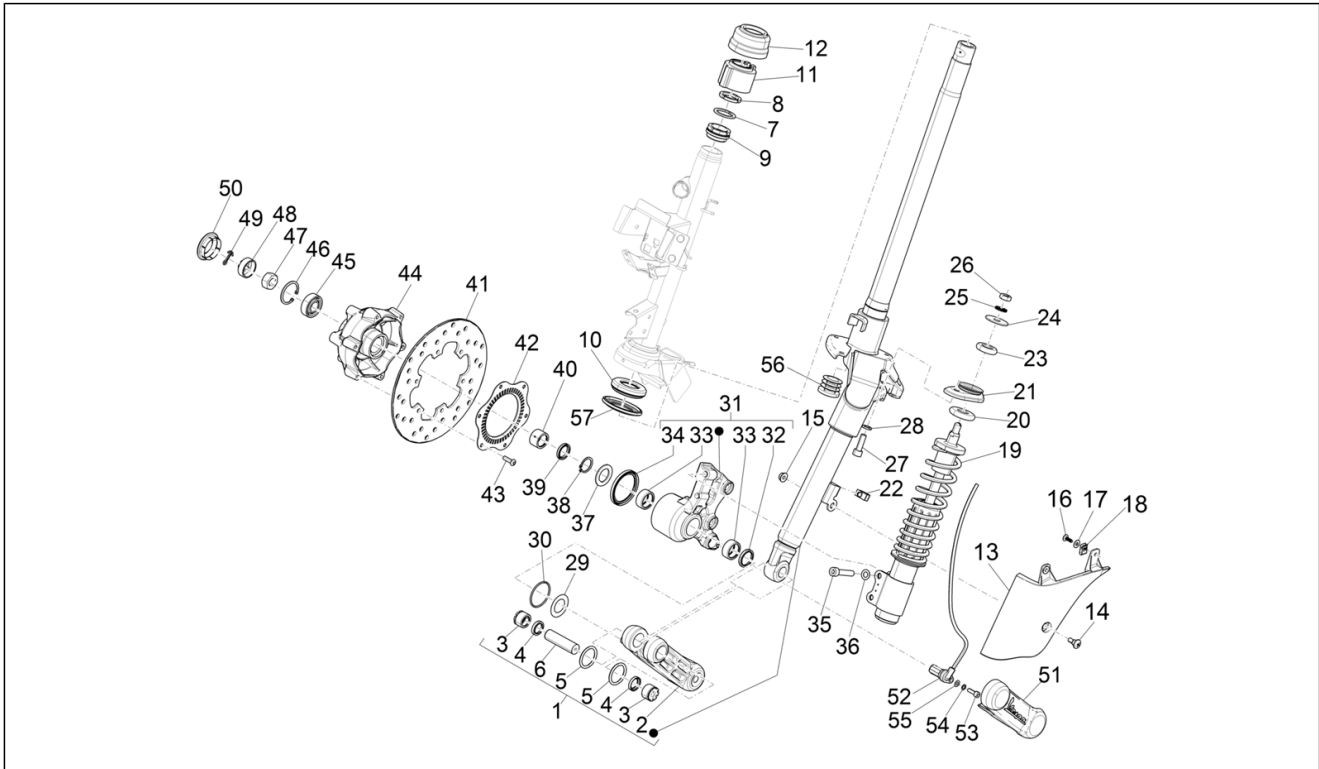
Pos.	Code	Description	Qty	Variants
1	1C0025285	Steering tube complete with arm	1	
2	6514825	Suspension arm with I.P.	1	
3	198513	Roller cage	2	
4	119219	Gasket ring	2	
5	006731	Gasket	2	
6	177451	Piston pin	1	
7	0037514	Washer of the steering	1	
7	582787	Washer of the steering	1	
8	0111094	Steering tube ring nut	1	
9	650693	Upper thrust ring	1	
10	1C0016085	Lower steering bearing	1	
10	650075	Lower steering bearing	1	
11	582828	Collar	1	
12	1B004779	Bearing protection hood	1	
12	665735	Bearing protection hood	1	
13	5A001120	Front suspension cover	1	
13	5A001120	Front suspension cover	1	
13	1C001153	Front suspension cover	1	
14	CM179301	Torx head cylinder head screw M6x16	1	
15	288245	Self locking nut M6	1	
16	259349	Self tapping screw TCCIC M4,2x13 black	2	
17	012528	Washer	2	
18	CM017410	Spring plate	2	
19	56452R	Complete front shock absorber	1	
19	5A001008	Complete front shock absorber	1	
20	174874	Pad	1	
21	601556	Shock absorber connection bracket	1	
22	231590	Elastic spring	1	

Group	Suspensions - Wheels
Code	04.02
Description	Fork/steering tube - Steering bearing unit
Service	1



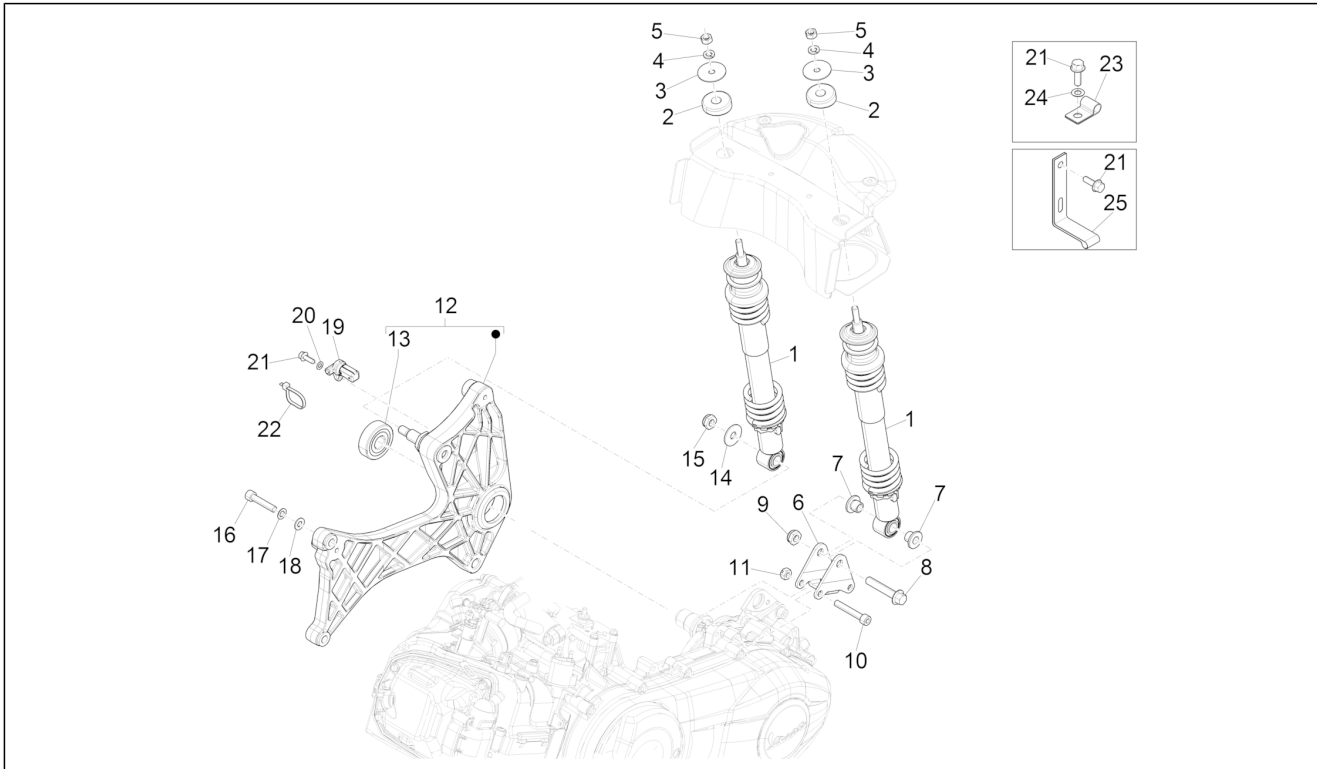
Pos.	Code	Description	Qty	Variants
23	174085	Pad	1	
24	174088	Washer	1	
25	012535	Washer	1	
26	021210	Nut	1	
27	597150	screw	2	
28	016408	Spring washer 13,75x8,15x4,5	2	
29	177408	O-ring	1	
30	177445	Washer	1	
31	1C0025295	Pin and shock absorber support	1	
32	1C001969	Gasket ring	1	
33	177436	Drawn cap	2	
34	177494	Ring	1	
35	149104	Hex socket screw M8x40	2	
36	709047	Spring washer	2	
37	177414	Washer	1	
38	006422	Circlip	1	
39	177443	Gasket ring	1	
40	177442	Drawn cap	1	
41	5A000421R	Brake disc	1	
41	56484R	Brake disc	1	
42	669115U4	Front ABS tone wheel	1	
42	669115	Front ABS tone wheel	1	
43	1C002563	Cylindrical screw	6	
44	650907	Wheel hub	1	
45	649910	Bearing	1	
45	177610	Bearing	1	
46	006635	Snap ring	1	
47	021114	Nut	1	

Group	Suspensions - Wheels
Code	04.02
Description	Fork/steering tube - Steering bearing unit
Service	1



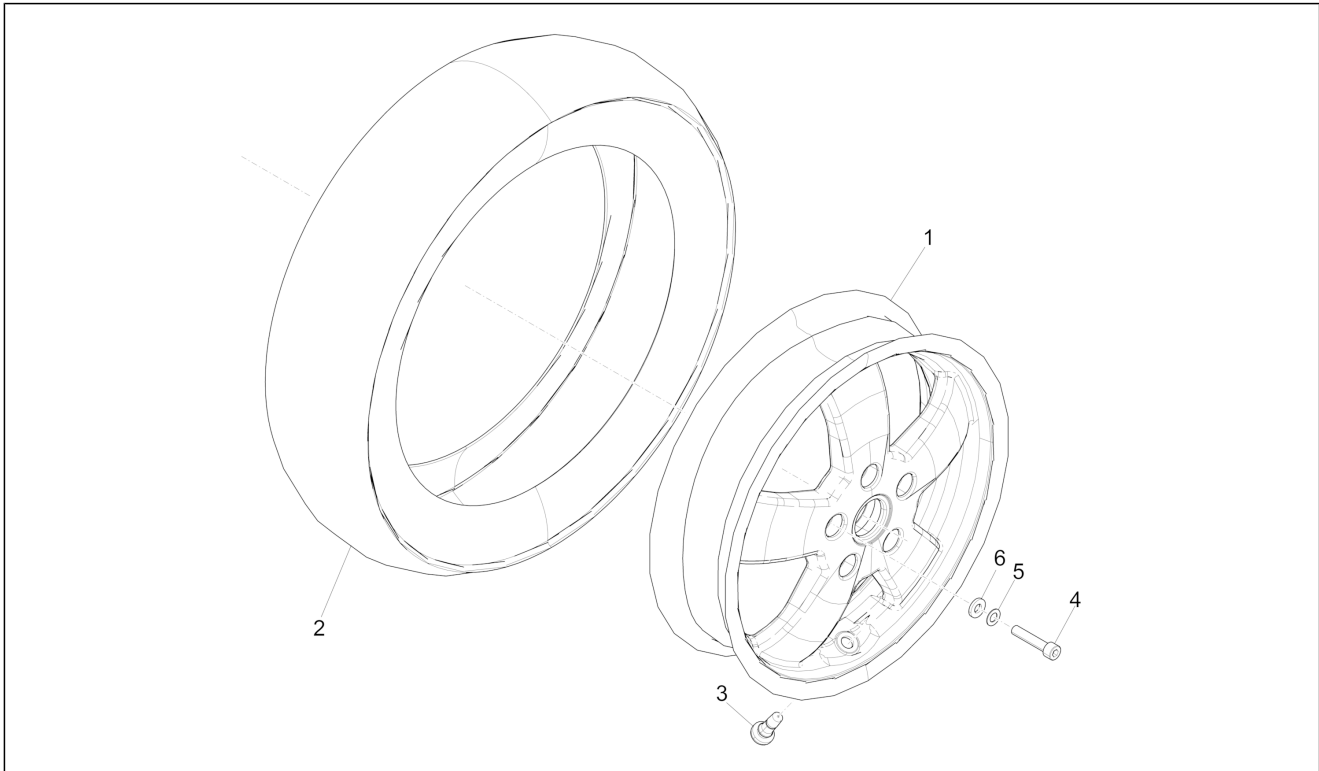
Pos.	Code	Description	Qty	Variants
48	177609	Cap	1	
49	012789	Split pin	1	
50	1C000523	Cover	1	
51	1B008206	Front suspension arm cover	1	
51	649113	Front suspension arm cover	1	
51	649113	Front suspension arm cover	1	
52	1D0001275	ABS sensor	1	
53	880285	Torx Screw	2	
54	006975	Washer $\varnothing 5,3 \times \varnothing 10 \times 0,5$	2	
55	669282	Flat washer	2	
56	5A000763	Cover	1	
56	601026	Cover	1	
57	1C001628	Guard washer	1	

Group	Suspensions - Wheels
Code	04.10
Description	Rear suspension - Shock absorber/s
Service	1



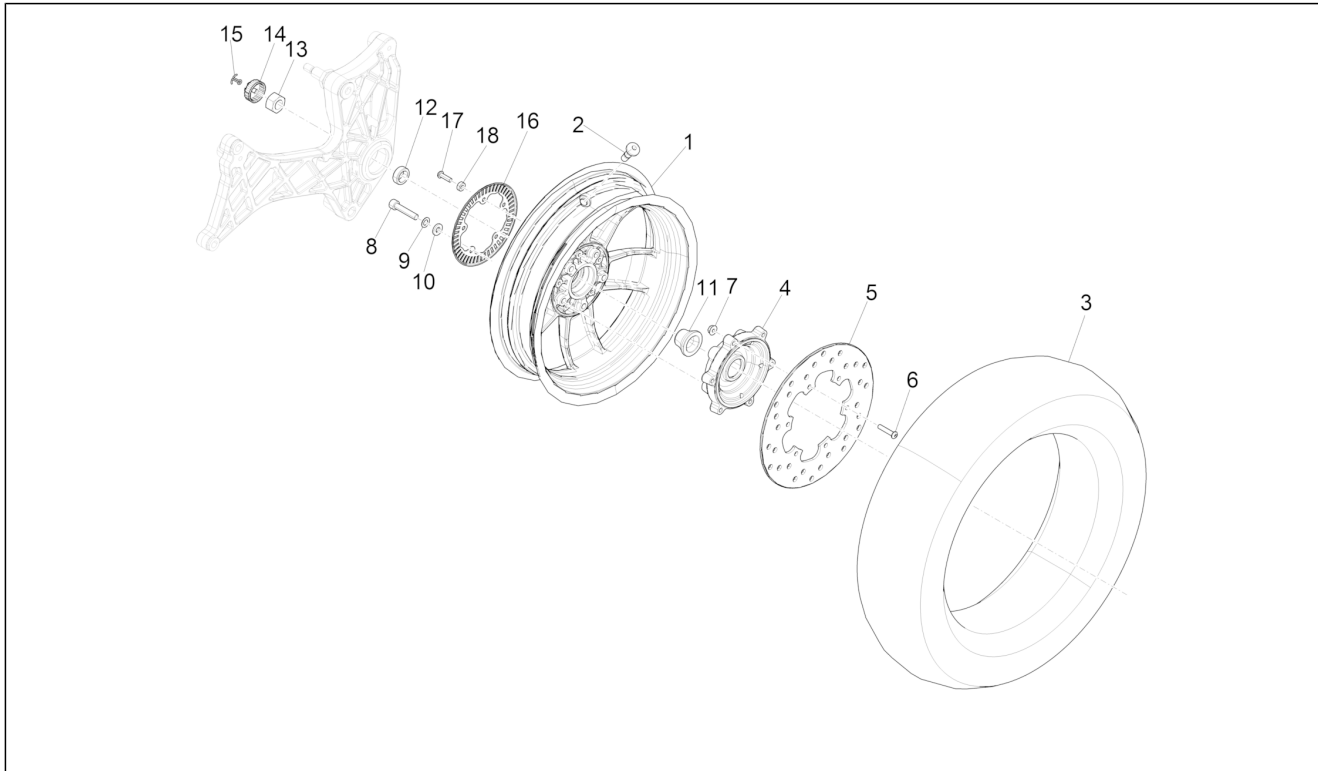
Pos.	Code	Description	Qty	Variants
1	58503R	Complete rear shock absorber	2	
2	178150	Upper buffer	2	
3	267038	Flat washer	2	
4	016408	Spring washer 13,75x8,15x4,5	2	
5	021108	Nut M8	2	
6	598143	Rear Shock absorber fixing bracket	1	
7	597149	Bush	2	
8	268158	M10-6Gx55 fil.26 (CH17)	1	
9	002440	Self locking nut M10-6H (CH17)	1	
10	844483	Hex socket screw M8x50	2	
11	020008	Nut M8-6H (CH13)	2	
12	1A001903	Right arm	1	
13	82545R	Ball bearing	1	
14	013962	Washer	1	
15	002440	Self locking nut M10-6H (CH17)	1	
16	149104	Hex socket screw M8x40	2	
17	709047	Spring washer	2	
18	003058	Flat washer 15x8,4x1,5	2	
19	B000526	ABS rear sensor	1	
20	669282	Flat washer	1	
21	830061	Flanged hexagon screw M5x16	3	
22	145298	Lock-strap L=180 mm	1	
23	643413	Hose clamp	1	
24	006975	Washer $\varnothing 5,3 \times \varnothing 10 \times 0,5$	1	
25	9004461229000	Hose clamp	1	

Group	Suspensions - Wheels
Code	04.11
Description	Front wheel
Service	1



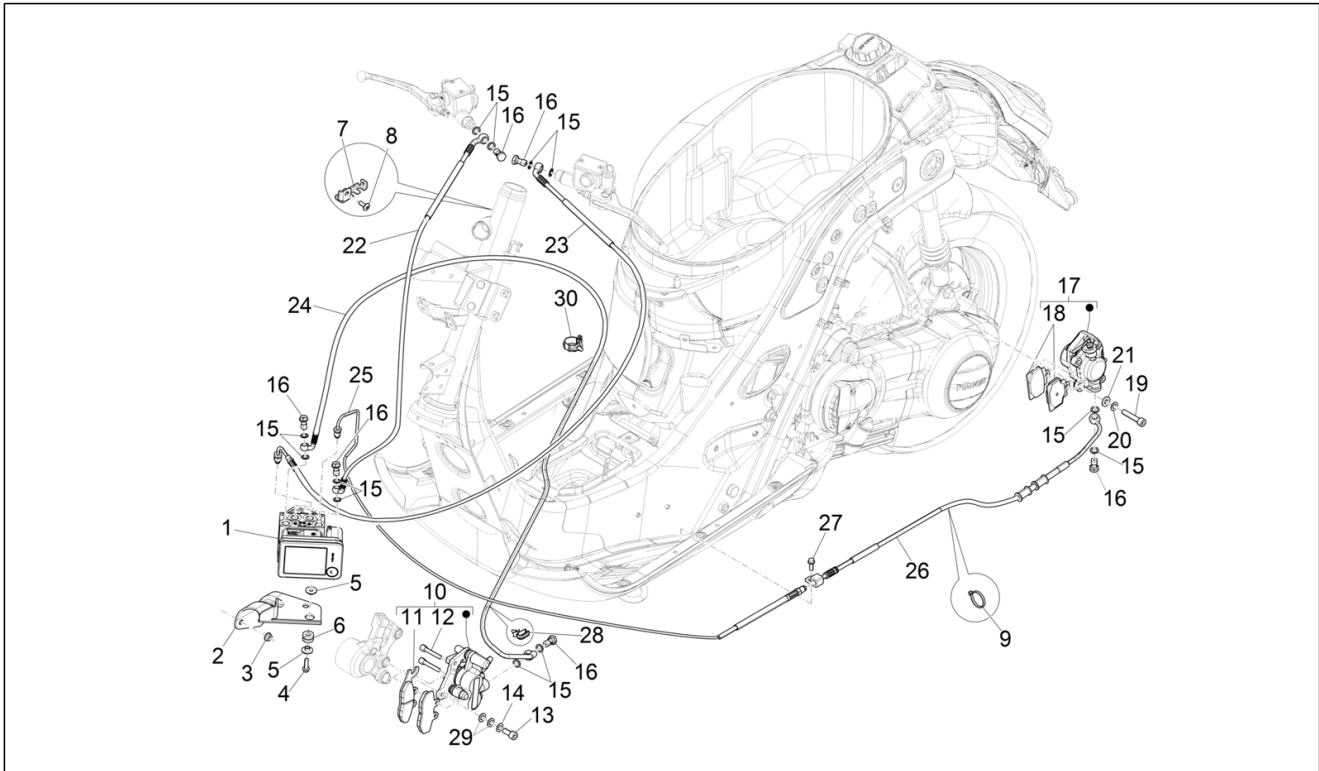
Pos.	Code	Description	Qty	Variants
1	1C004614000HW	Complete front wheel	1	
2	1C000391	Front tyre 120/70-12" Cheng Shin	1	
3	270991	Tubeless tyre valve	1	
4	149104	Hex socket screw M8x40	5	
5	709047	Spring washer	5	
6	828961	Flat washer 8,2x17x2,5	5	

Group	Suspensions - Wheels
Code	04.12
Description	Rear wheel
Service	1



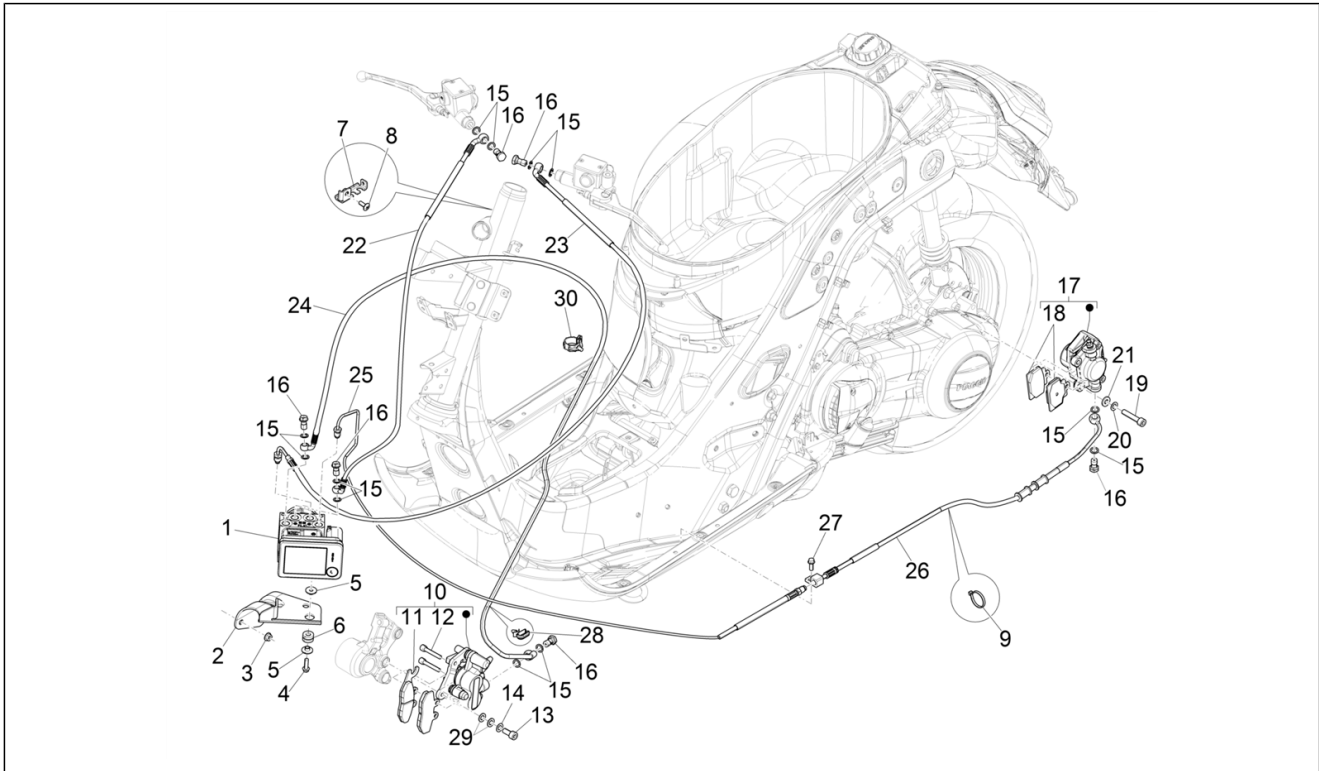
Pos.	Code	Description	Qty	Variants
1	1C004615000HW	Rear wheel	1	
2	270991	Tubeless tyre valve	1	
3	1C000392	Rear tyre 130/70-12" Cheng Shin	1	
4	598715	Rear wheel hub	1	
5	5A000421R	Brake disc	1	
6	597564	screw	6	
7	597565	Self locking nut	6	
8	149104	Hex socket screw M8x40	5	
9	709047	Spring washer	5	
10	828961	Flat washer 8,2x17x2,5	5	
11	1C002344	Rear wheel spacer	1	
12	1C002175	Spacer	1	
13	563728	Nut M16x13	1	
14	1C004746	Nut hold cap	1	
15	5A000046	Split pin	1	
16	1C003698R	ABS rear tone wheel	1	
17	667152	Hex socket screw M6x20	5	
18	1C001044	Spacer	5	

Group	Braking system - Transmissions
Code	05.02
Description	Brakes pipes - Calipers (ABS)
Service	1



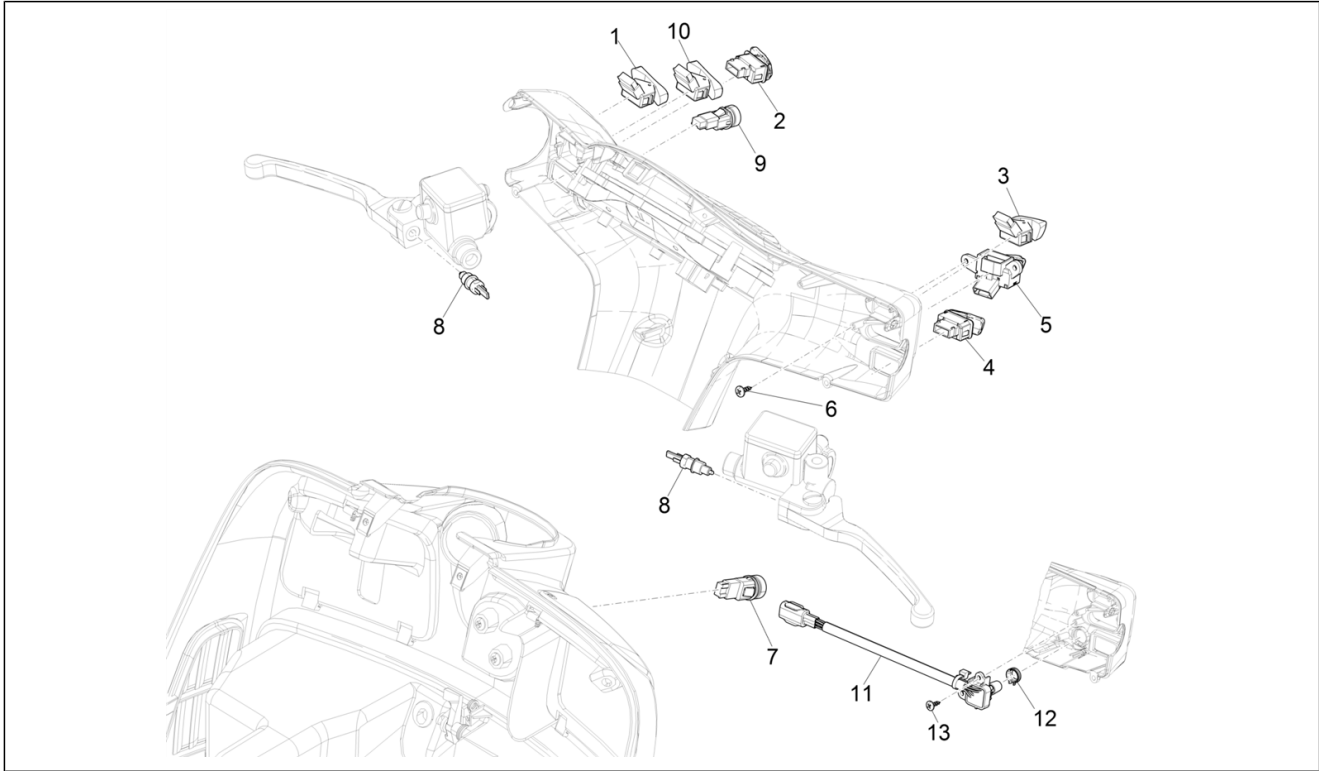
Pos.	Code	Description	Qty	Variants
1	1C002747	ABS electro-hydraulic control unit	1	
2	1C002710	Fixture rod	1	
3	969224	Nut	2	
4	018639	Hexagon head screw M6x20	3	
5	1C000870	Spacer	6	
6	939278	Pad	3	
7	649635	Bracket with up	1	
8	272836	Cross head cylinder head screw M6x16	1	
9	145298	Lock-strap L=180 mm	4	
10	CM294407	Front brake caliper	1	
11	668021	Pair of front brake pads	1	
12	666139	Brake supp. plate pin	2	
13	149104	Hex socket screw M8x40	2	
14	709047	Spring washer	2	
15	127927	Washer	12	
16	1C002059R	Special screw	6	
17	CM294804	Brake hydraulic pin	1	
18	647161	Brake pads couple	1	
19	319532	screw	2	
20	709047	Spring washer	2	
21	003058	Flat washer 15x8,4x1,5	2	
22	1C003741	ABS unit right brake pump pipe	1	
23	1C003739	LH brake pump - ABS unit pipe	1	
24	1C003699	ABS unit brake pipe - front brake pin	1	
25	1C003738	Rear brake - junction - ABS unit pip	1	
26	1C003737	Rear brake pipe	1	
27	B016777	Flanged hexagon screw M6x16	1	
28	298729	Dismantled clamp	1	

Group	Braking system - Transmissions
Code	05.02
Description	Brakes pipes - Calipers (ABS)
Service	1



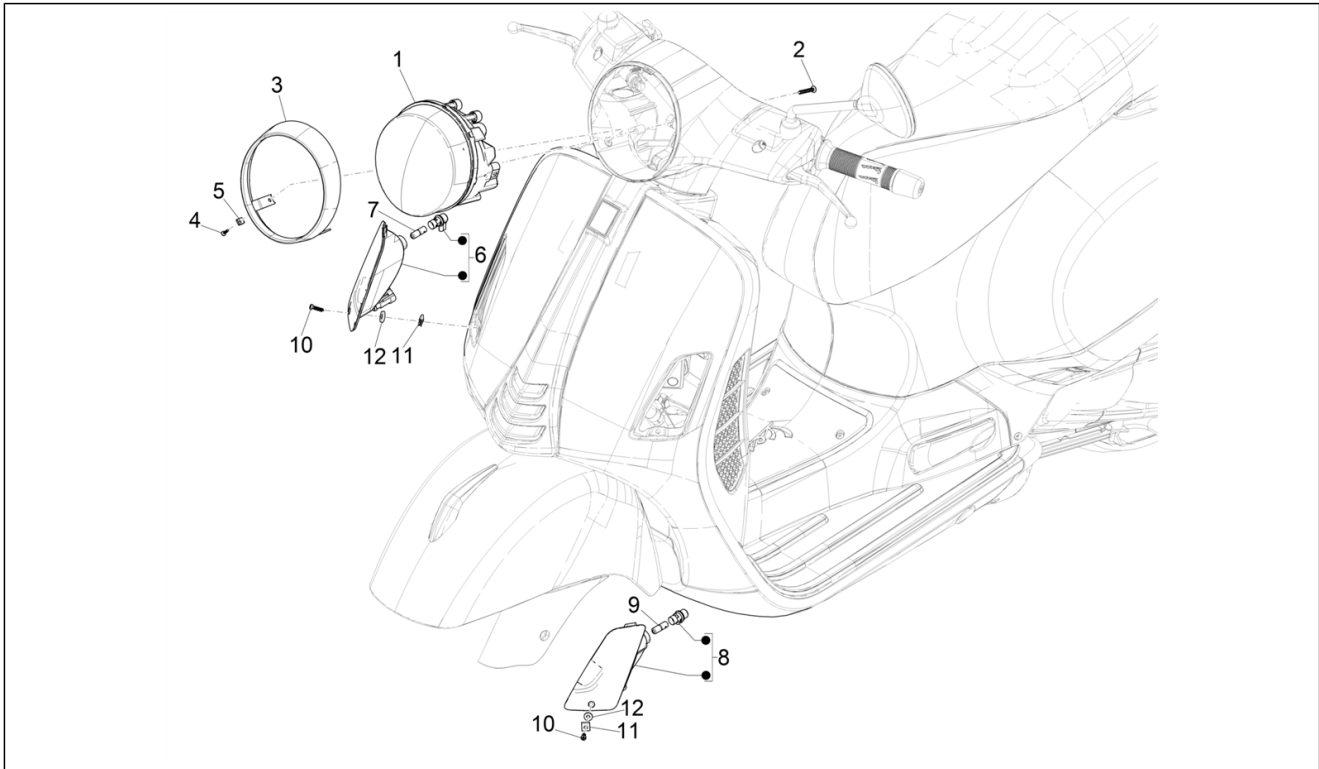
Pos.	Code	Description	Qty	Variants
29	828961	Flat washer 8,2x17x2,5	2	
30	CM006908	Non return spring L=23	1	

Group	Electrical system
Code	06.01
Description	Selectors - Switches - Buttons
Service	1



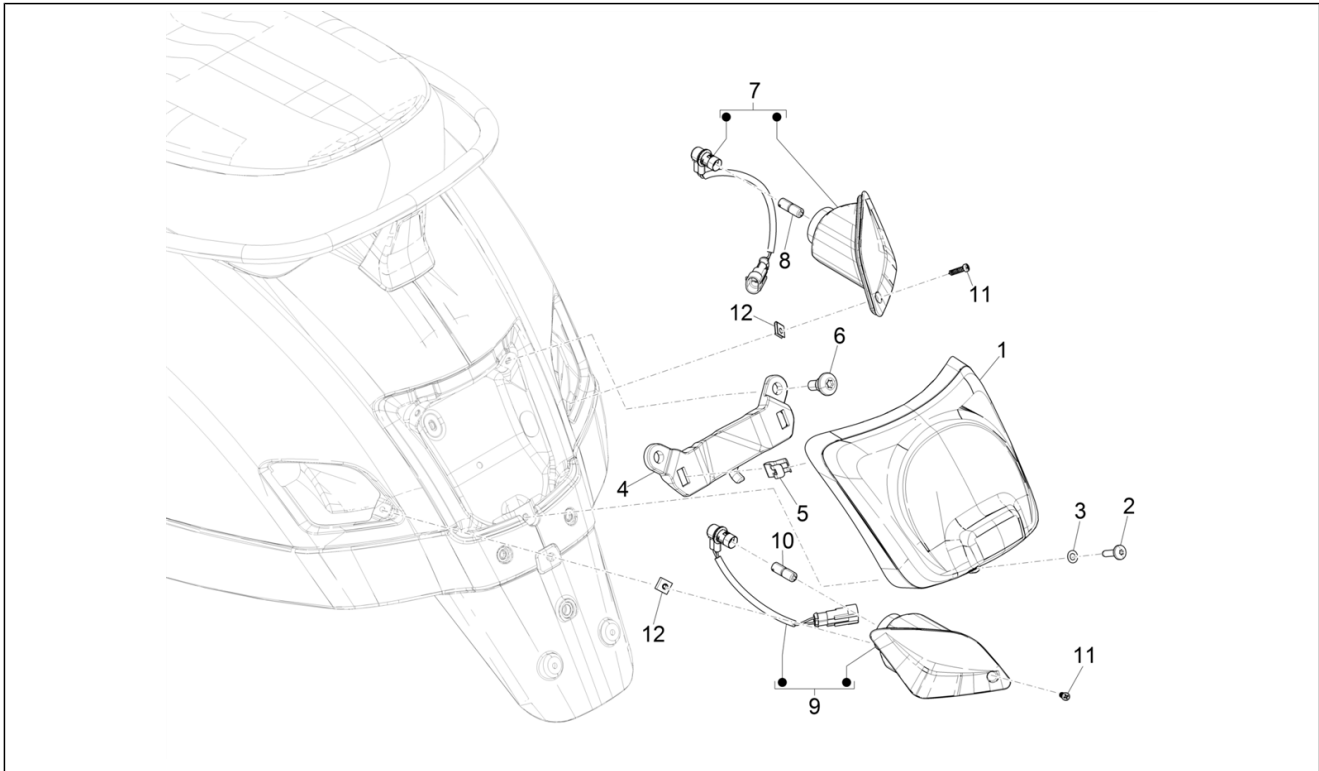
Pos.	Code	Description	Qty	Variants
1	584599	Engine stop switch	1	
2	641609	Starter button	1	
3	294877	Headlight selector	1	
4	641743	Horn button	1	
5	1D001824	Turn indicator switch	1	
6	297498	Self tapping screw	2	
7	582988	Saddle opening button	1	
8	642032	stop Button	2	
9	641859	Pulsante Mode	1	
10	1D001698	Button ASR	1	
11	1D002526	Mode push button	1	
12	1B006700	Dust gaiter hood	1	
13	297498	Self tapping screw	1	

Group	Electrical system
Code	06.03
Description	Front headlamps - Turn signal lamps
Service	1



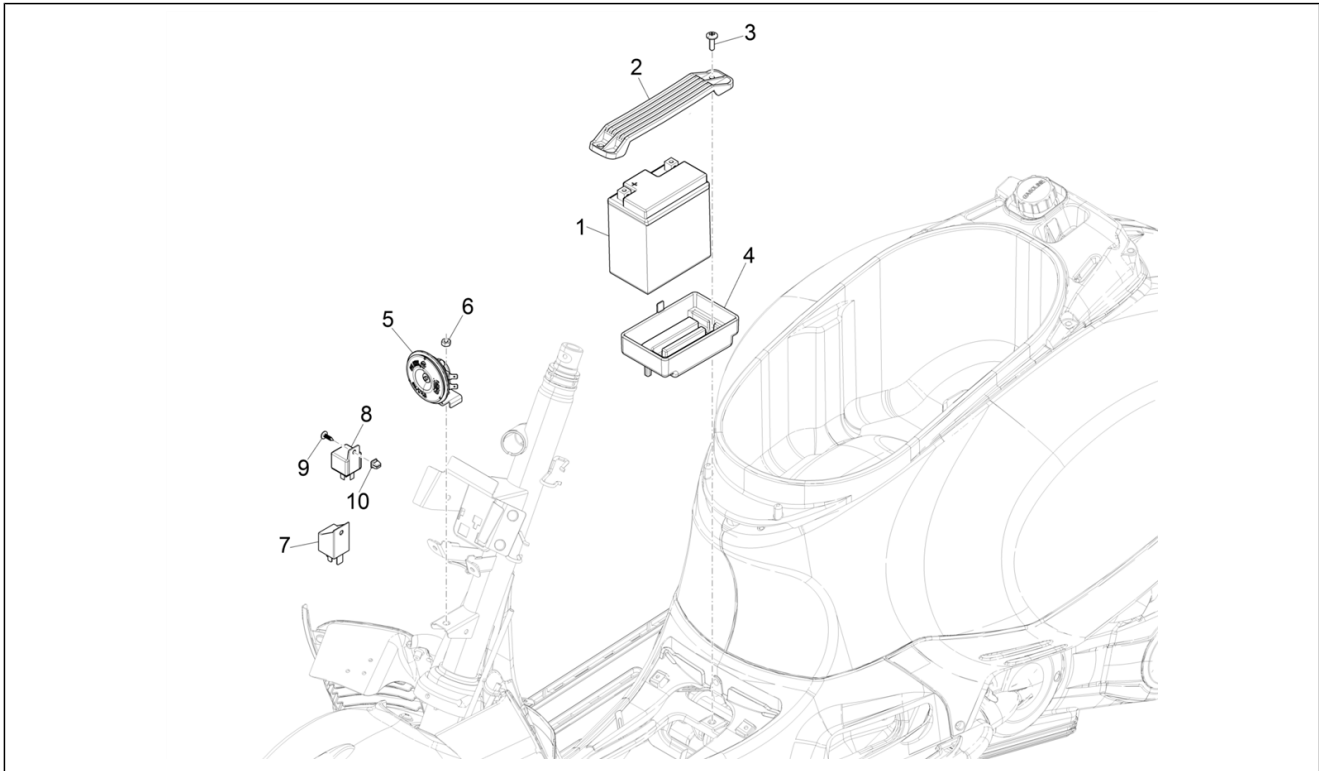
Pos.	Code	Description	Qty	Variants
1	1D003004	Complete front headlight	1	
2	296458	Self tapping screw L=35 mm	4	
3	1B005763	Headlight frame	1	
4	018536	Self-tap screw 3,5x13	1	
5	CM017403	Spring plate	1	
6	1D003607	RH front turn indicator	1	
7	1D000261	Halogen Lamp 12V-6W	1	
8	1D003608	Front left turn indicator	1	
9	1D000261	Halogen Lamp 12V-6W	1	
10	008372	Screw d3,5x13	2	
10	015728	screw	2	
11	CM017405	Spring plate	2	
11	CM017403	Spring plate	2	
12	003054	Washer 4,3x8x0,5	2	
12	1B006623	Flat washer	2	

Group	Electrical system
Code	06.04
Description	Rear headlamps - Turn signal lamps
Service	1



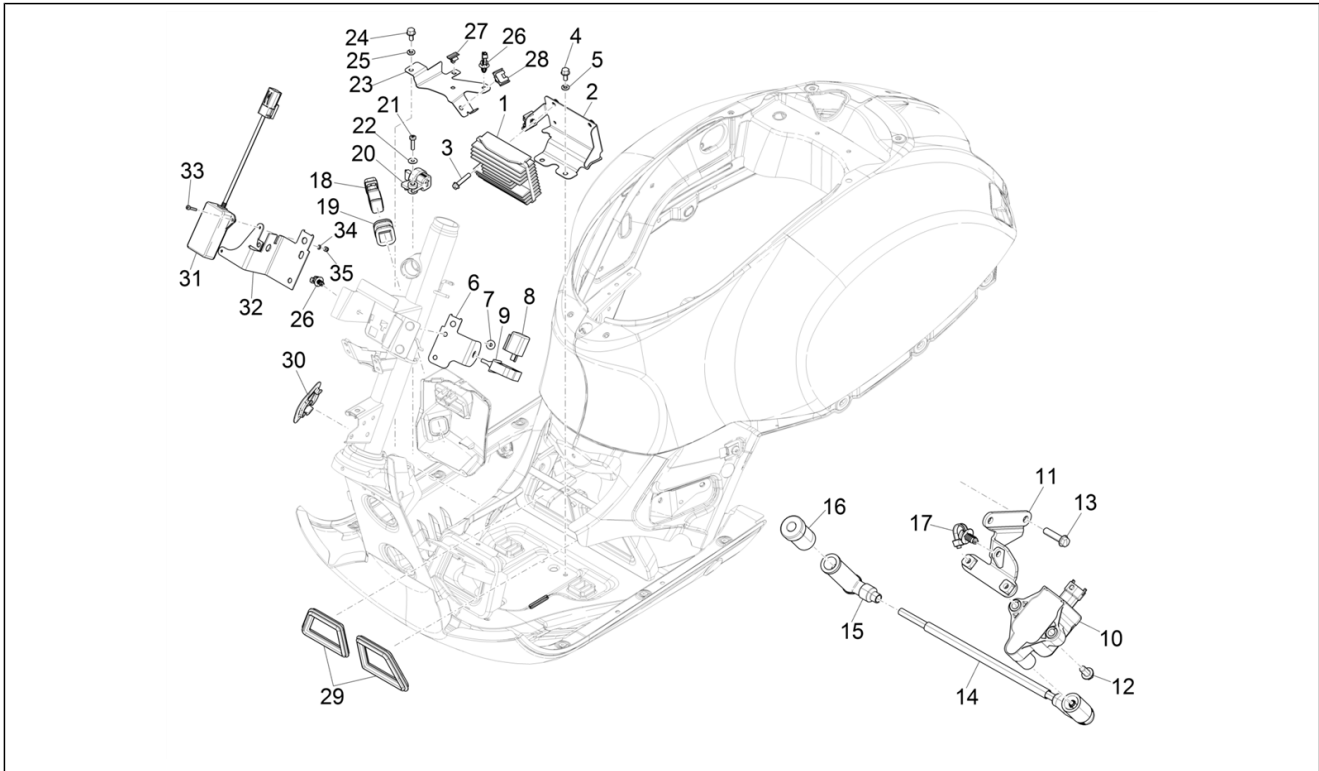
Pos.	Code	Description	Qty	Variants
1	1D002560	Taillight with reflector	1	
2	CM179302	Metric screw TBC	1	
3	006976	Spring washer 12x6,4x0,5	1	
4	1B006418	Bracket	1	
5	D9004468091	Gripper clip	2	
6	CM179202	Torx head cylinder head screw	2	
7	1D002392	Right rear turn indicator	1	
8	1D000261	Halogen Lamp 12V-6W	1	
9	1D002391	Rear turn indicator SX	1	
10	1D000261	Halogen Lamp 12V-6W	1	
11	008457	Self-tap screw M4,2x19	2	
12	CM017406	Plate	2	

Group	Electrical system
Code	06.05
Description	Remote control switches - Battery - Horn
Service	1



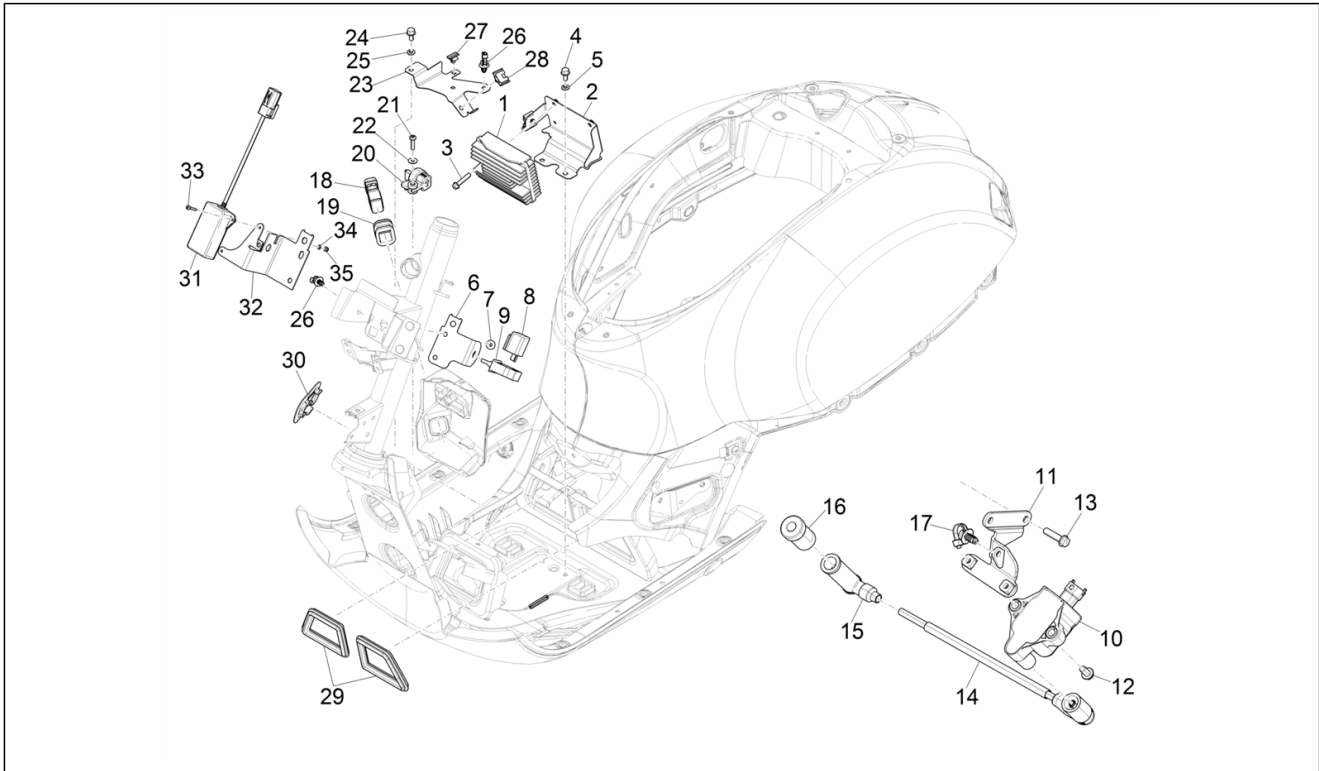
Pos.	Code	Description	Qty	Variants
1	583158	Battery (Yuasa) 12V-10Ah	1	
1	1R000318	Battery PTX12-BS 12V-10Ah (Piaggio)	1	
2	6218305	Battery bracket	1	
3	CM179302	Metric screw TBC	2	
4	1B003942	Battery float chamber	1	
5	CM071822	Horn 12v cc	1	
6	241936	Self locking nut M6	1	
7	1D001636	Microrelay with resistance 12V 30A/10A	3	
8	58115R	Starter relay 12V-80A	1	
9	259349	Self tapping screw TCCIC M4,2x13 black	1	
10	199190	Expansion plug	1	

Group	Electrical system
Code	06.06
Description	Voltage Regulators - Electronic Control Units (ecu) - H.T. Coil
Service	1



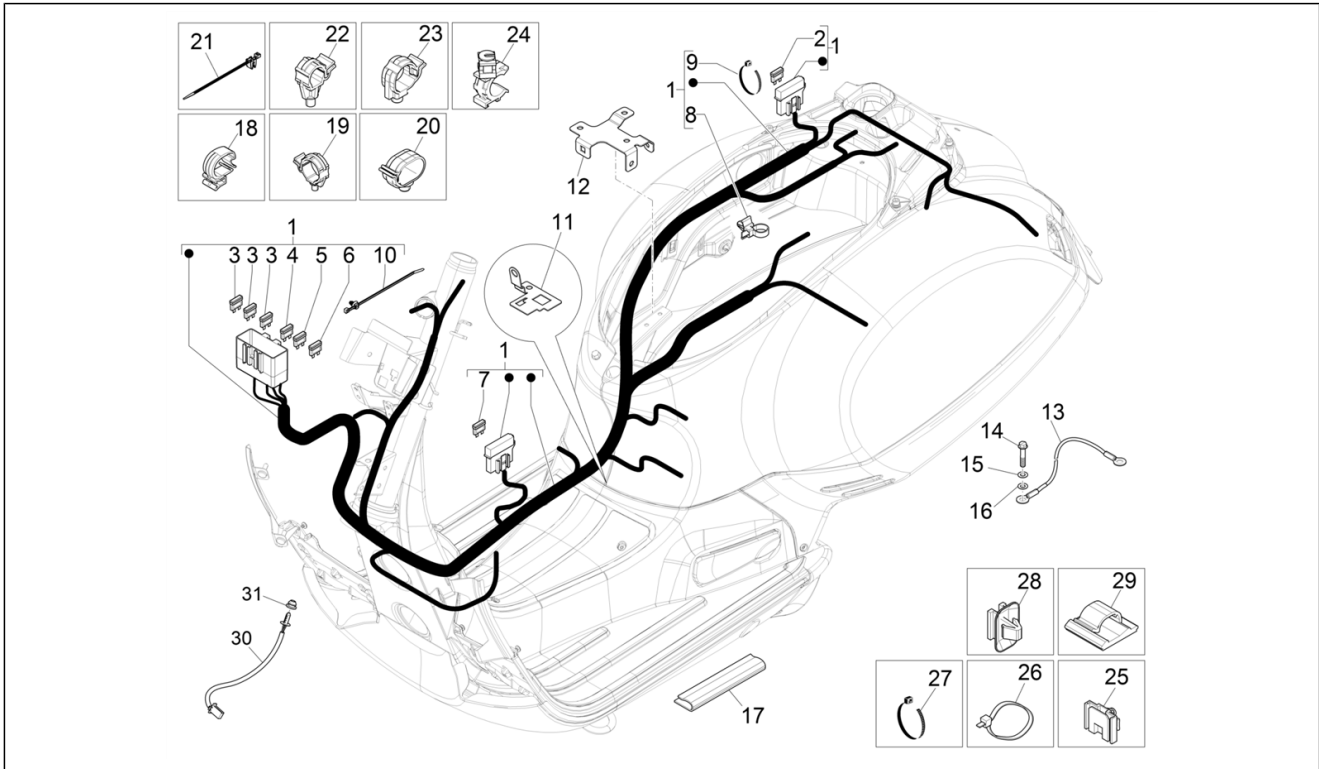
Pos.	Code	Description	Qty	Variants
1	641709	Voltage regulator	1	
2	1B003878	Voltage regulator support	1	
3	B016792	Flanged hexagon screw M6x30	2	
4	B016426	Flanged hexagon screw M6x14	2	
5	016406	Spring washer 6,4x11,8x1	2	
6	1D000504	Bulb device bracket	1	
7	195482	Self locking nut M6	2	
7	969224	Nut	2	
8	680228	Turn indicator control	1	
9	5A001115	Flexible support	1	
10	641901	HT coil	1	
11	1A014318	H.V. coil support bracket	1	
12	878872	Screw w/ flange	2	
13	B016774	Flanged hexagon screw M6x25	2	
14	CM083306	HT wire cpl.	1	
15	969348	Screened cap	1	
16	641643	Spark.plug protection clamp	1	
17	1D001143	Wiring clip	1	
18	1D003323	USB port	1	
19	1B001591	Cable grommet for USB port	1	
20	2D000473	Fall sensor	1	
21	015856	screw M5x21	1	
22	097733	Flat washer Ø5,3xØ14x1	1	
23	1B003943	Connectors support bracket	1	
24	436788	Screw w/ flange	1	
25	016406	Spring washer 6,4x11,8x1	1	
26	1D001143	Wiring clip	6	
27	639560	Spring for connector	1	

Group	Electrical system
Code	06.06
Description	Voltage Regulators - Electronic Control Units (ecu) - H.T. Coil
Service	1



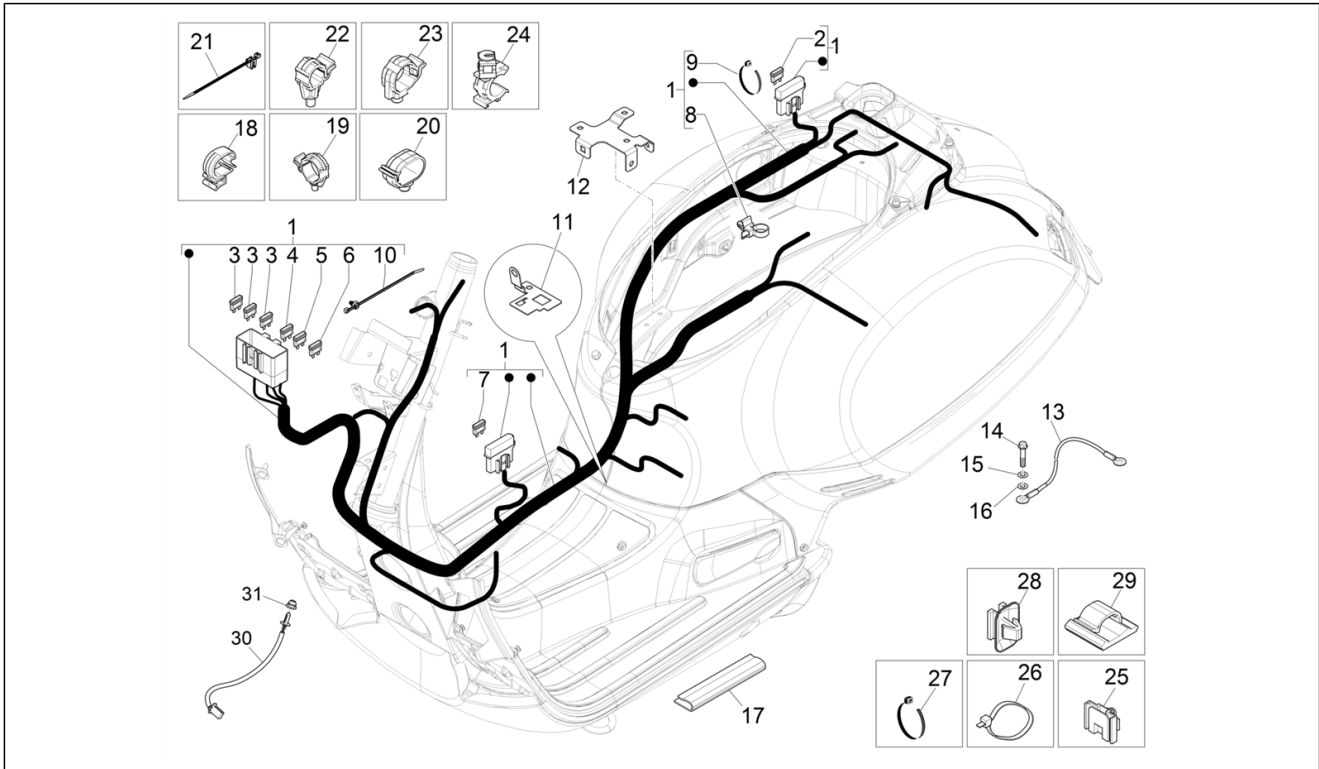
Pos.	Code	Description	Qty	Variants
28	641599	Plugs spring	1	
29	1B003958	Diaphragm protection	2	
30	1B003939	RH frame protection	1	
31	2D0005355	Multimedia CPU	1	
32	1B006789	Bulb device bracket	1	
33	615795	TCCEI screw M3x16	2	
34	013782	Flat washer	2	
35	B005195	Self locking nut M3	2	

Group	Electrical system
Code	06.08
Description	Main cable harness
Service	1



Pos.	Code	Description	Qty	Variants
1	1D003018	Chassis cables unit	1	
2	293256	Reed Fuse 5a	1	
3	252945	Reed fuse 7,5A	3	
4	291570	Fuse 25A	1	
5	290860	Fuse 15A	1	
6	292507	Reed fuse 10A	1	
7	CM225730	Fuse 30A	1	
8	640879	Hose clamp 2,7x132	4	
9	145298	Lock-strap L=180 mm	2	
10	1D001143	Wiring clip	5	
11	641532	Fusebox bracket	1	
12	1B003953	Connectors support bracket	1	
13	584843	Ground cable	1	
14	641204	Tri/lobed hexagonal self-tapping screw	1	
15	016406	Spring washer 6,4x11,8x1	1	
16	003056	Flat washer 6,4x12x1	1	
17	CM077703	Guard	4	
18	CM013201	Spring	3	
18	CM013202	Pipes/cables retainer spring	1	
19	CM006906	Non return spring L=33	1	
19	CM006907	Pipes/cables retainer spring L=16	1	
20	CM006904	Non return spring l=27	3	
20	CM006912	Non return spring	1	
21	668762	Hose clamp	1	
22	CM006910	Molletta	1	
23	CM006908	Non return spring L=23	1	
24	CM017811	Non return spring	1	
25	641599	Plugs spring	1	

Group	Electrical system
Code	06.08
Description	Main cable harness
Service	1



Pos.	Code	Description	Qty	Variants
26	145298	Lock-strap L=180 mm	11	
27	257134	Lock-strap L=277 mm	7	
28	B005629	Molletta	1	
29	577594	Spring clamp	1	
30	1D003578	Ambient temperature sensor	1	
31	1B005386	Fairlead	1	